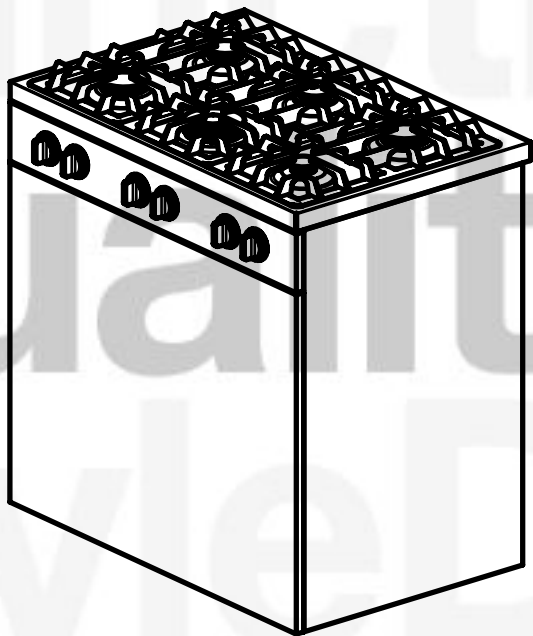


Quality Color
Style Design
Functionality
Quality Color
Style Design
Functionality
Quality Color
Style Design
Functionality

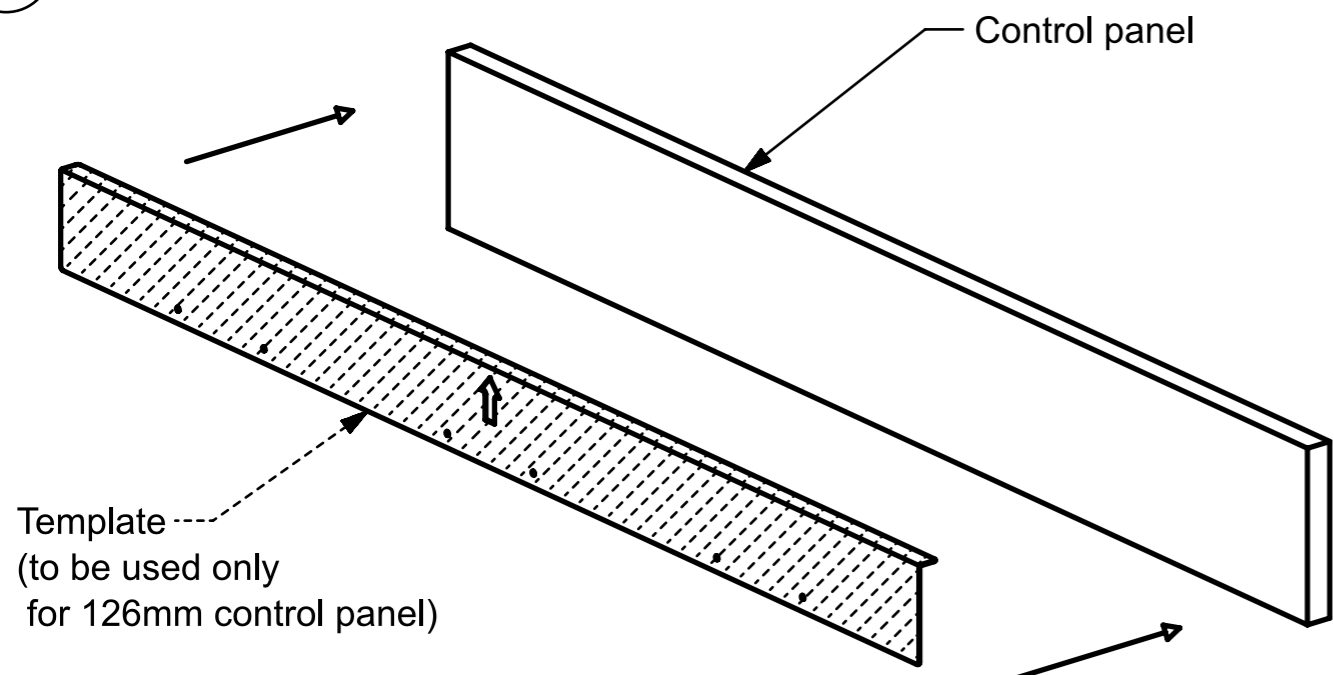


steel

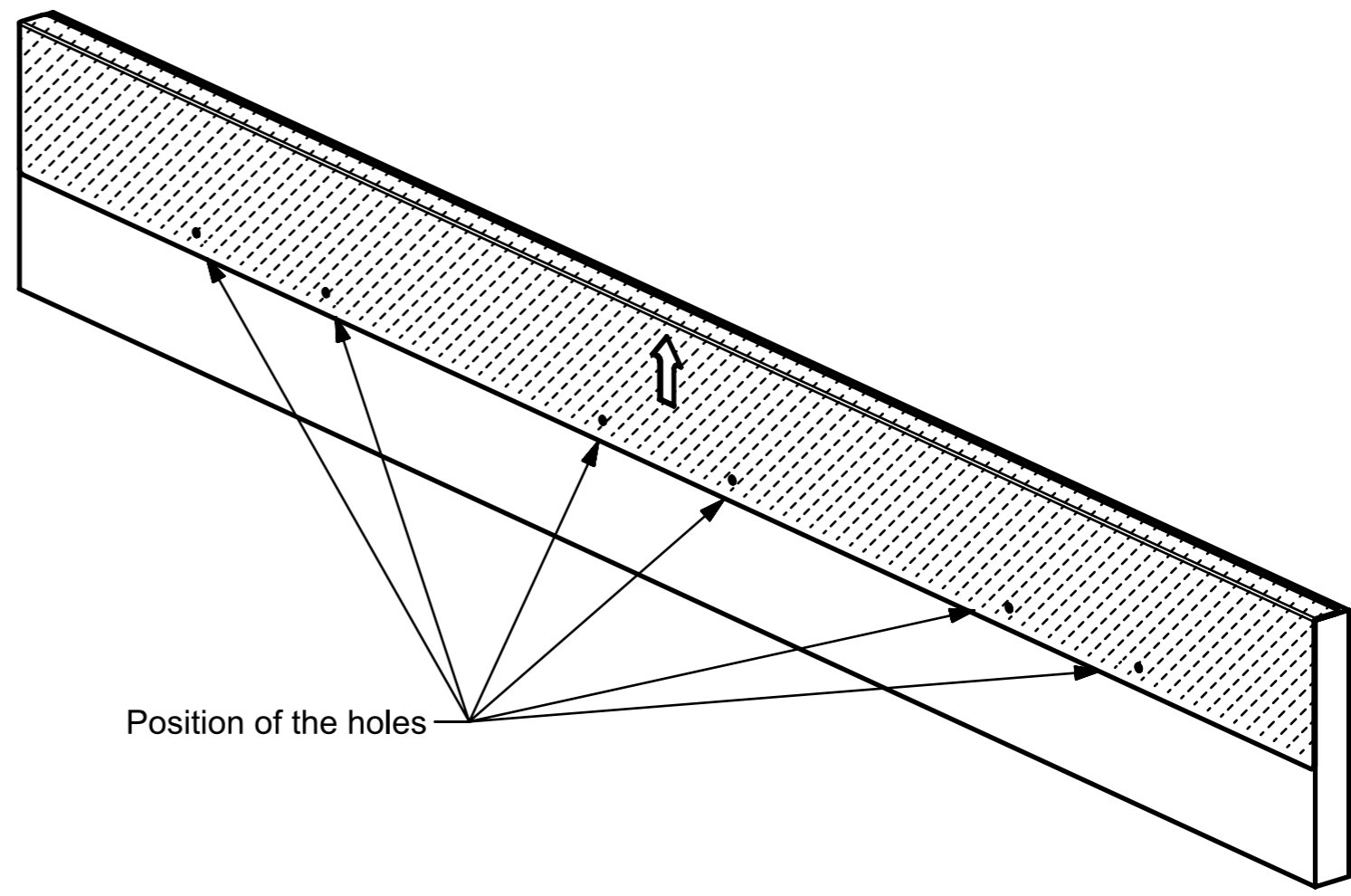
stile in cucina

Control panel setting

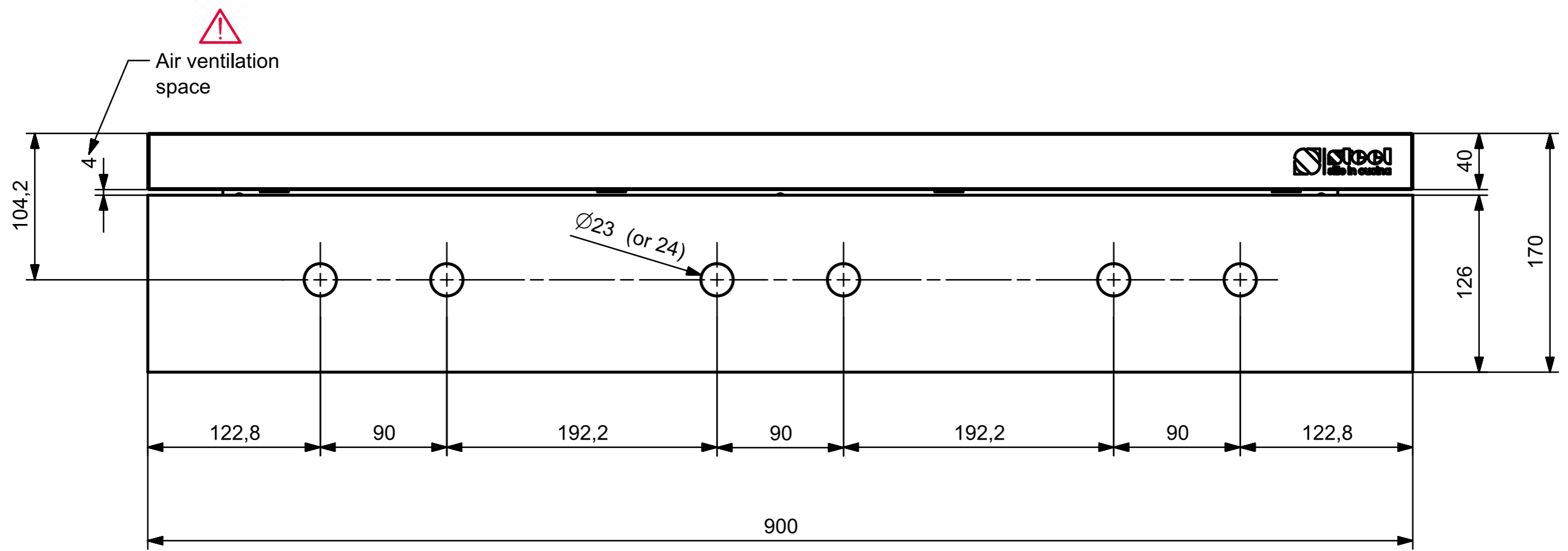
1



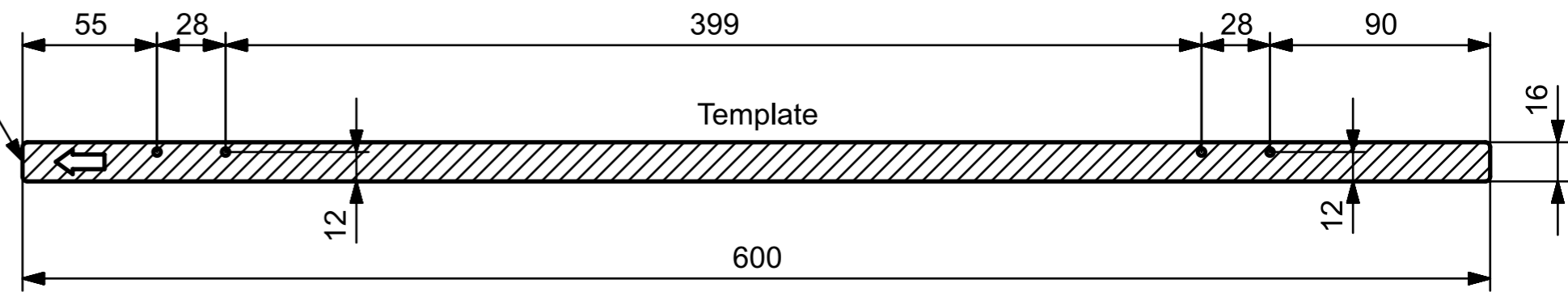
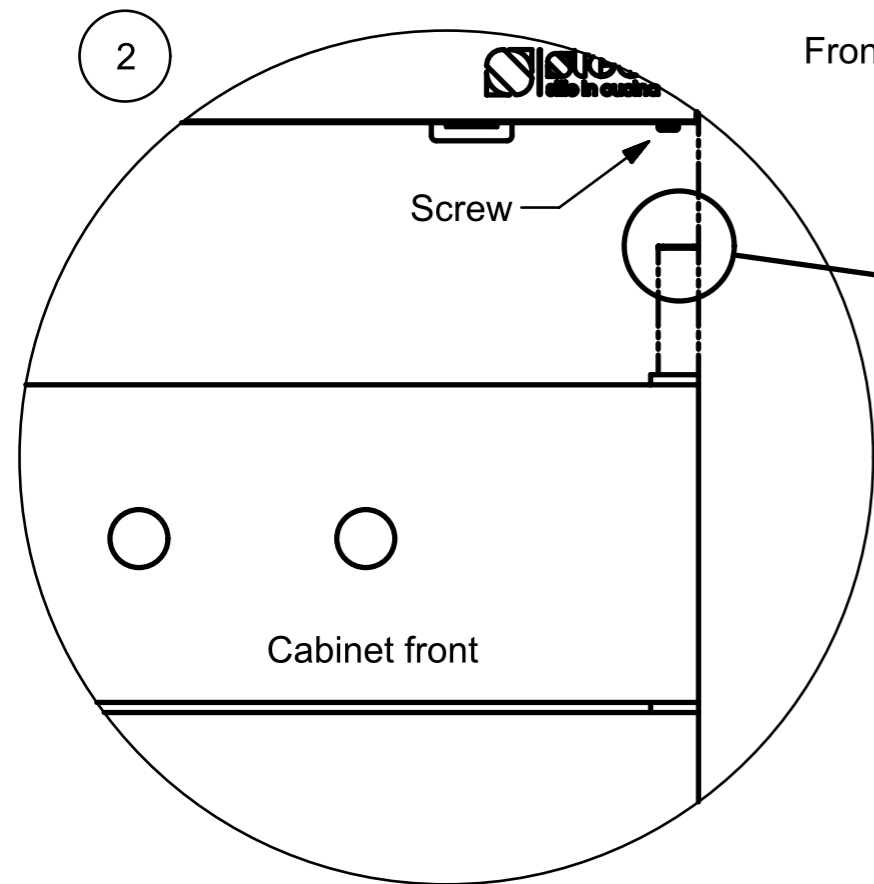
1.1



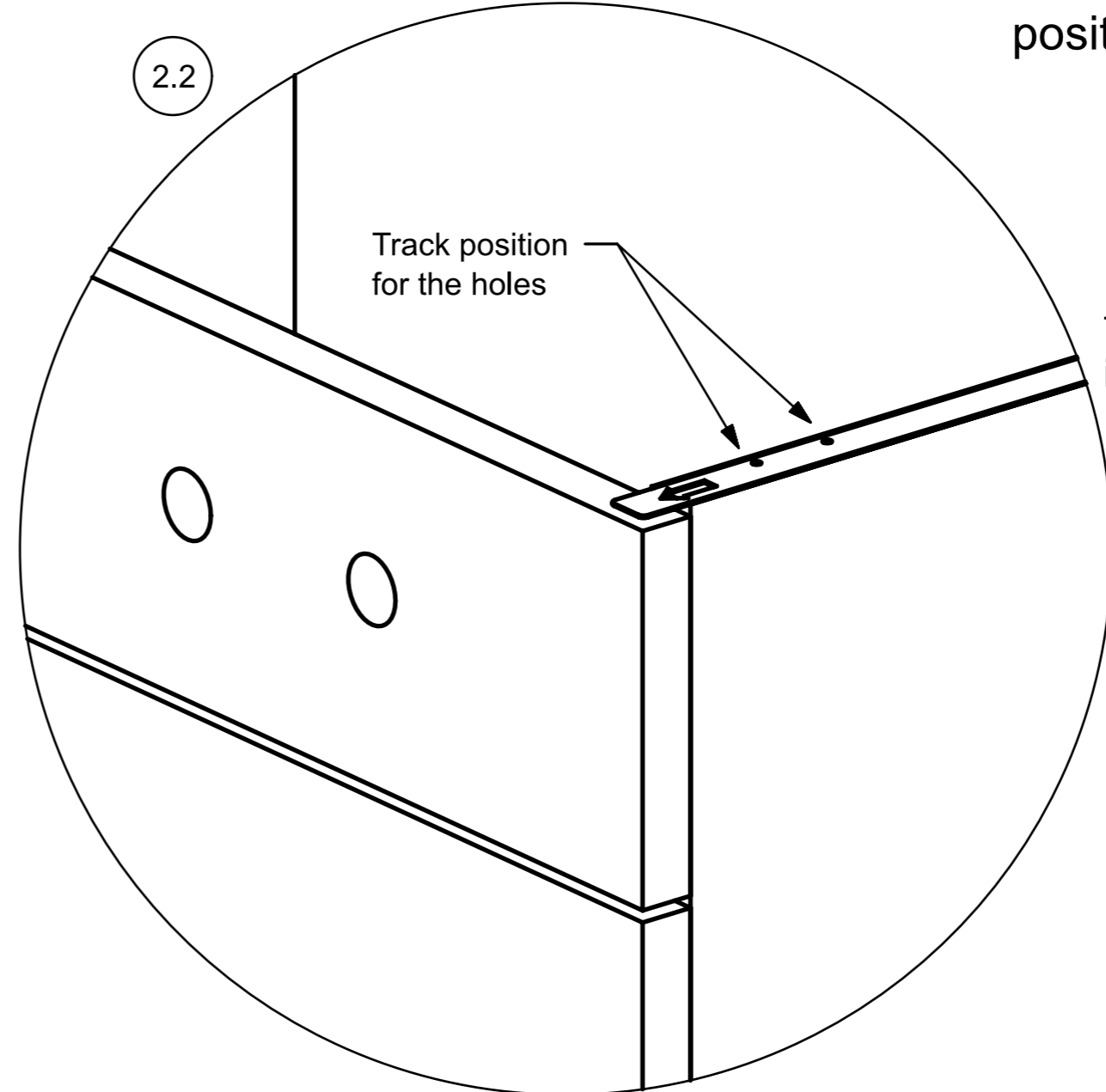
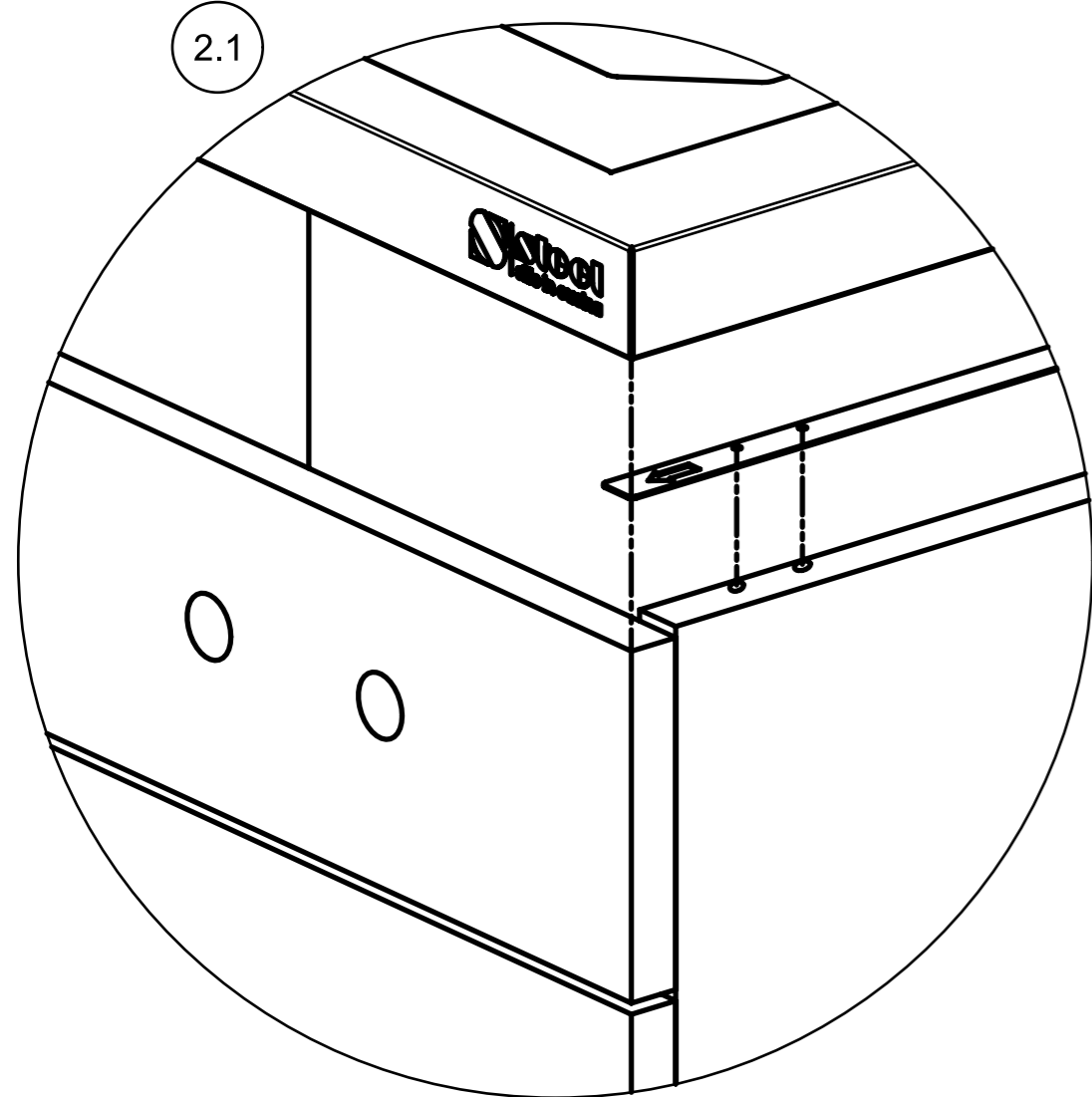
1.2



Cabinet screw holes setting by using the template

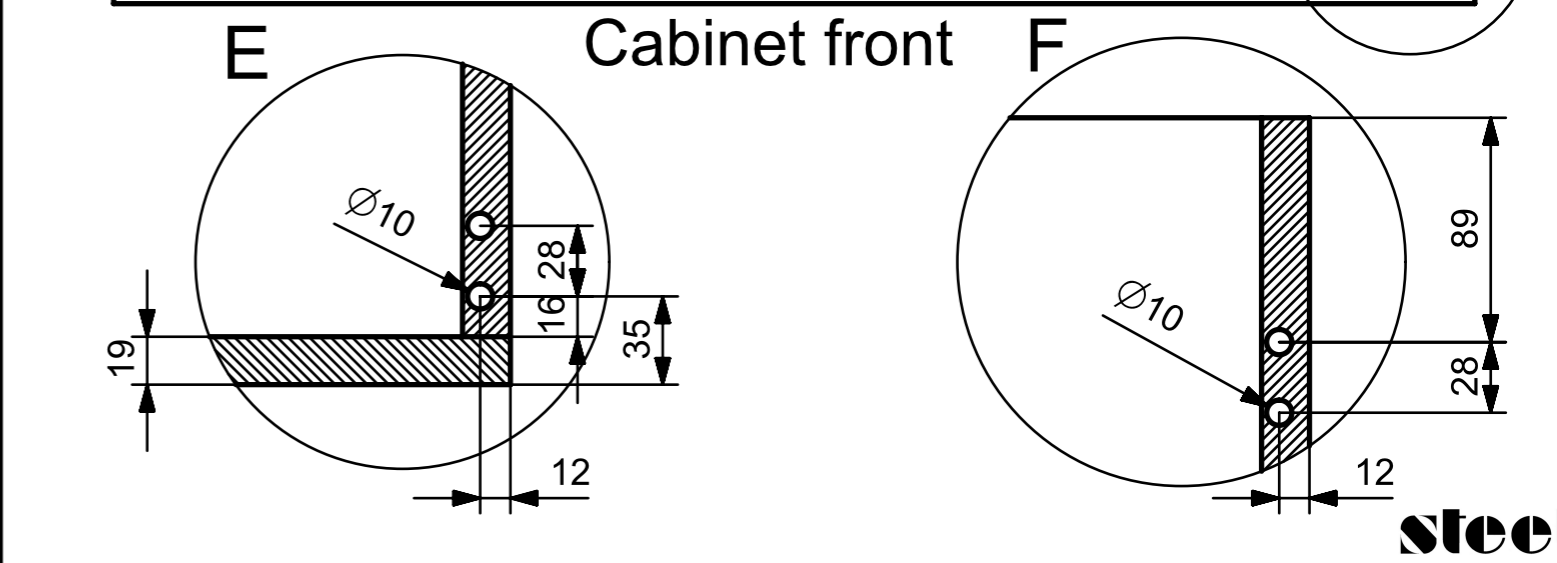
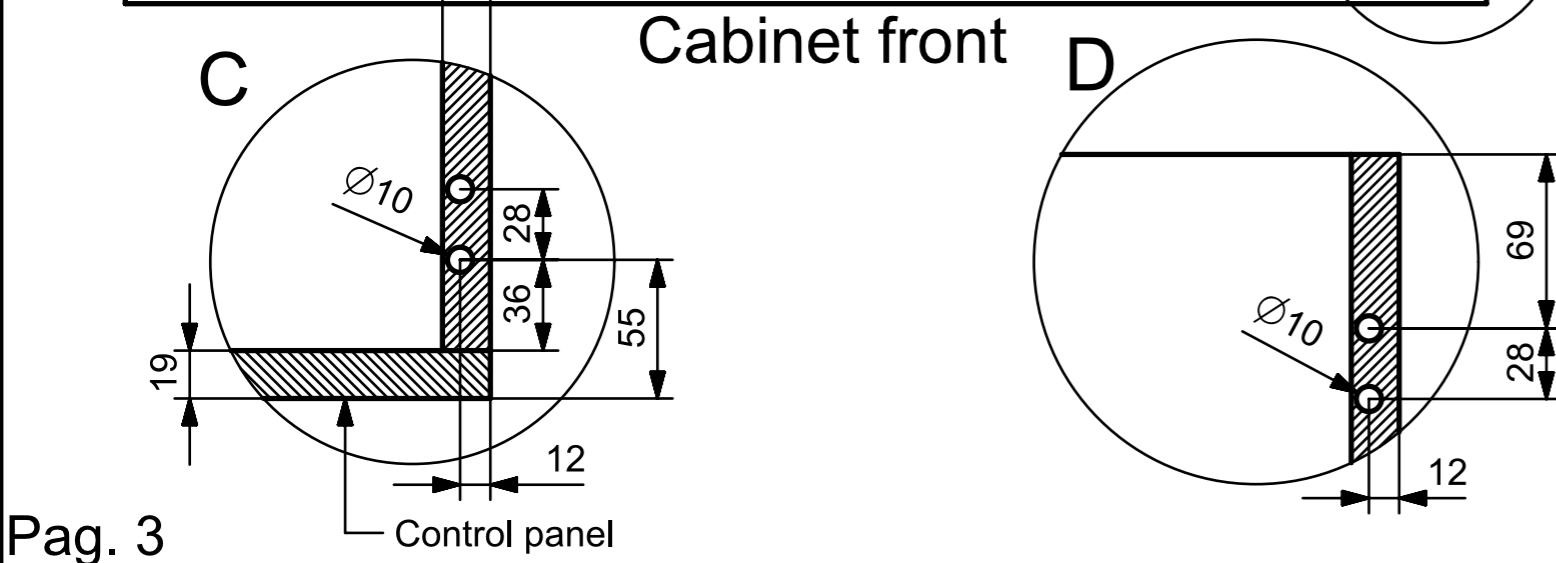
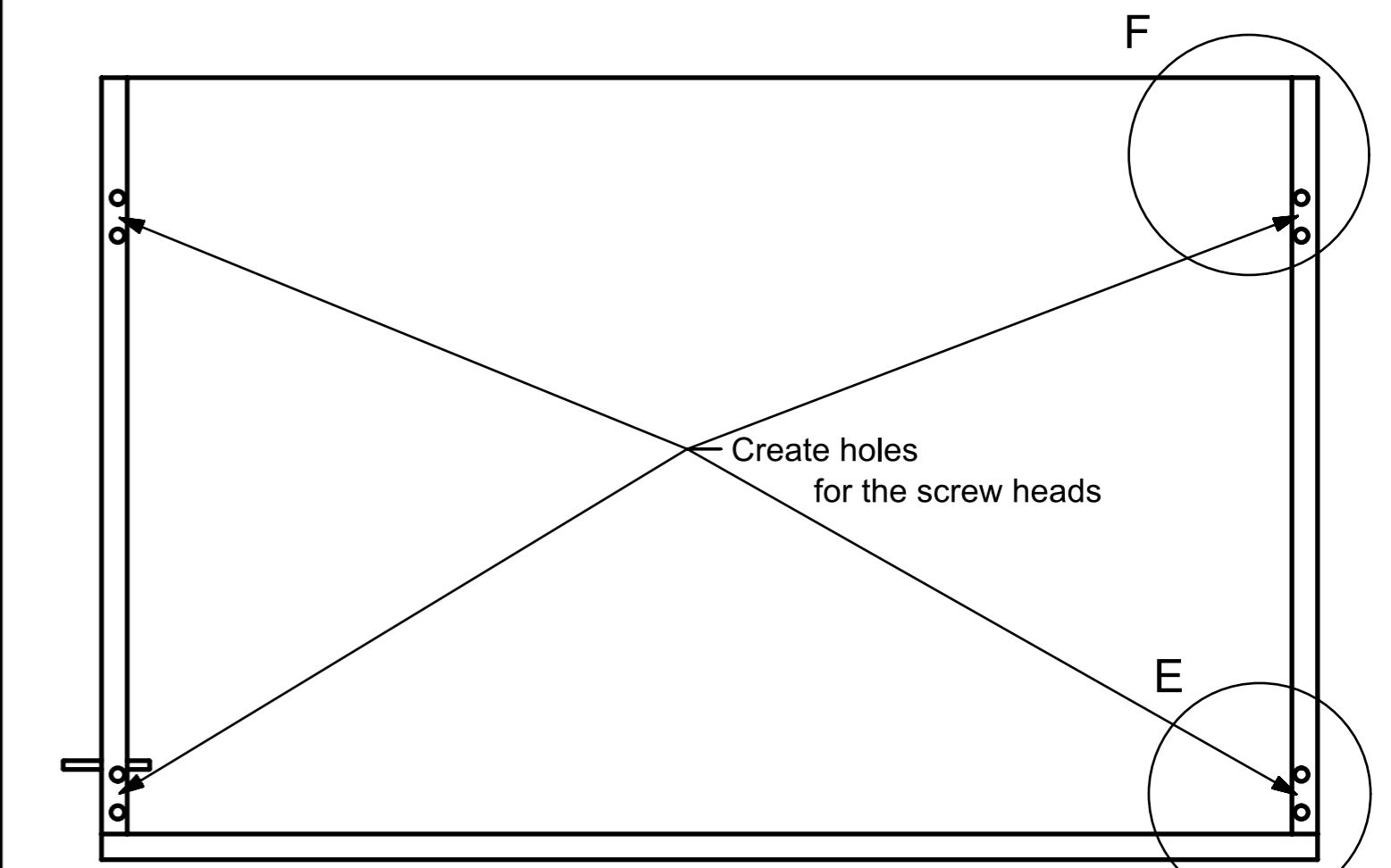
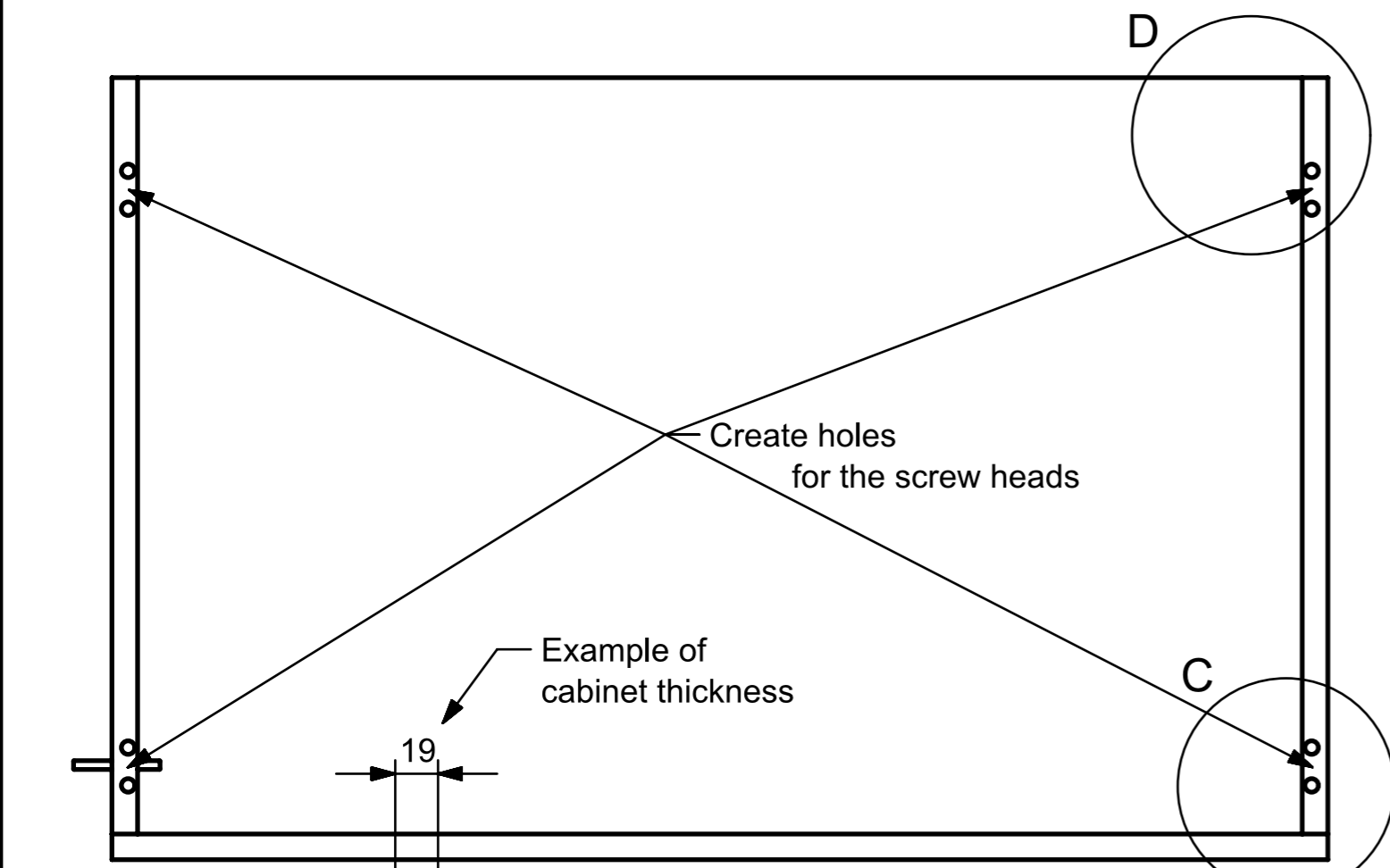
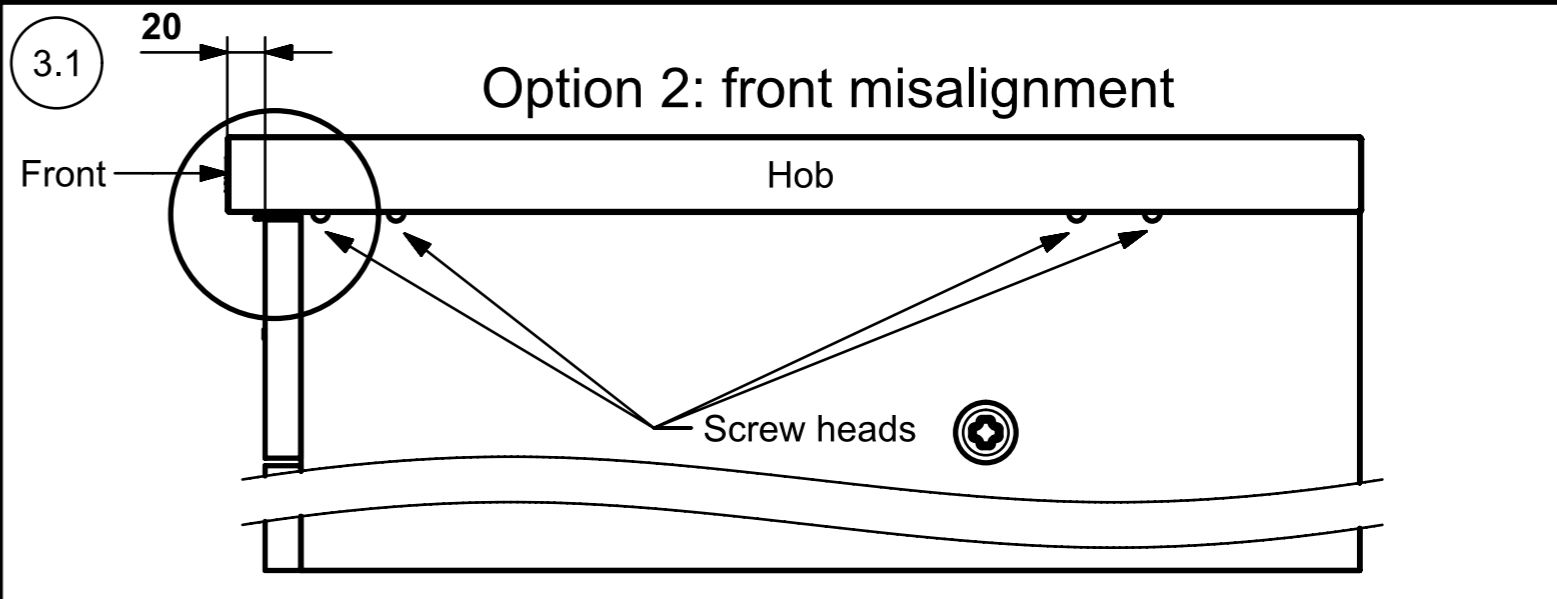
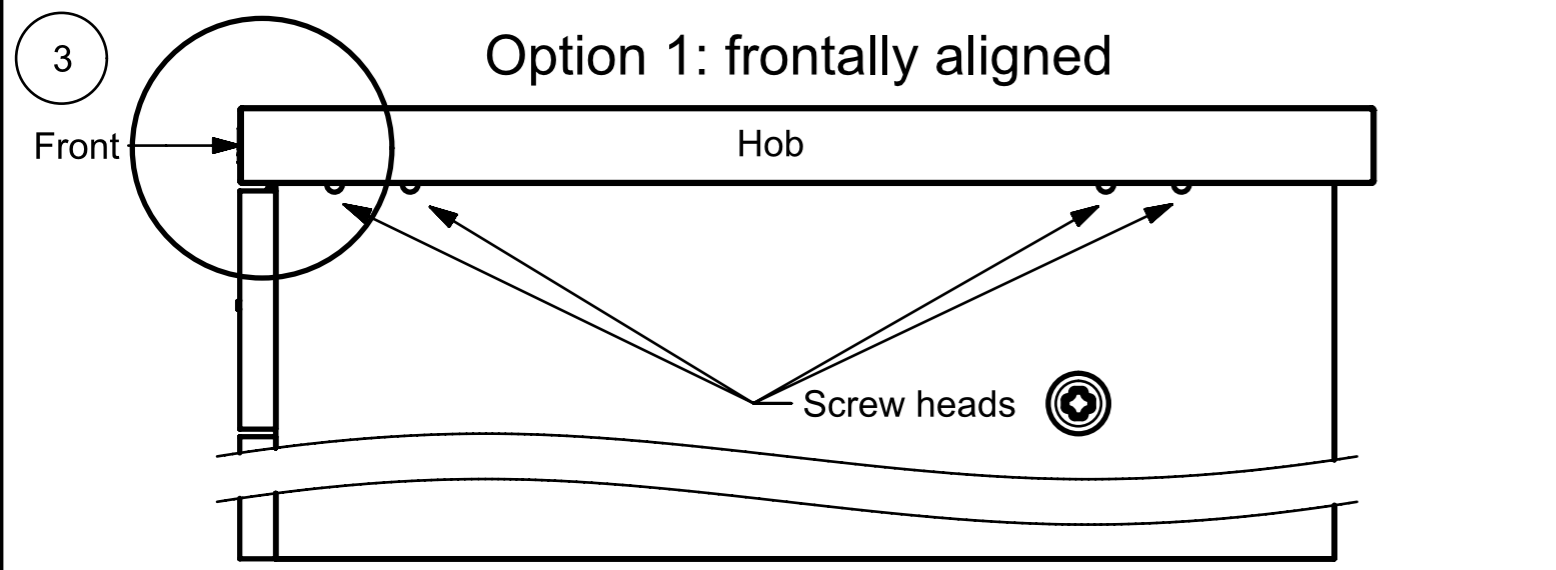


Important:
for the left side holes,
turn the template upside down
because of the asymmetrical
position of the screws



Important:
the final holes
in the cabinet must be $\varnothing 10\text{mm}$

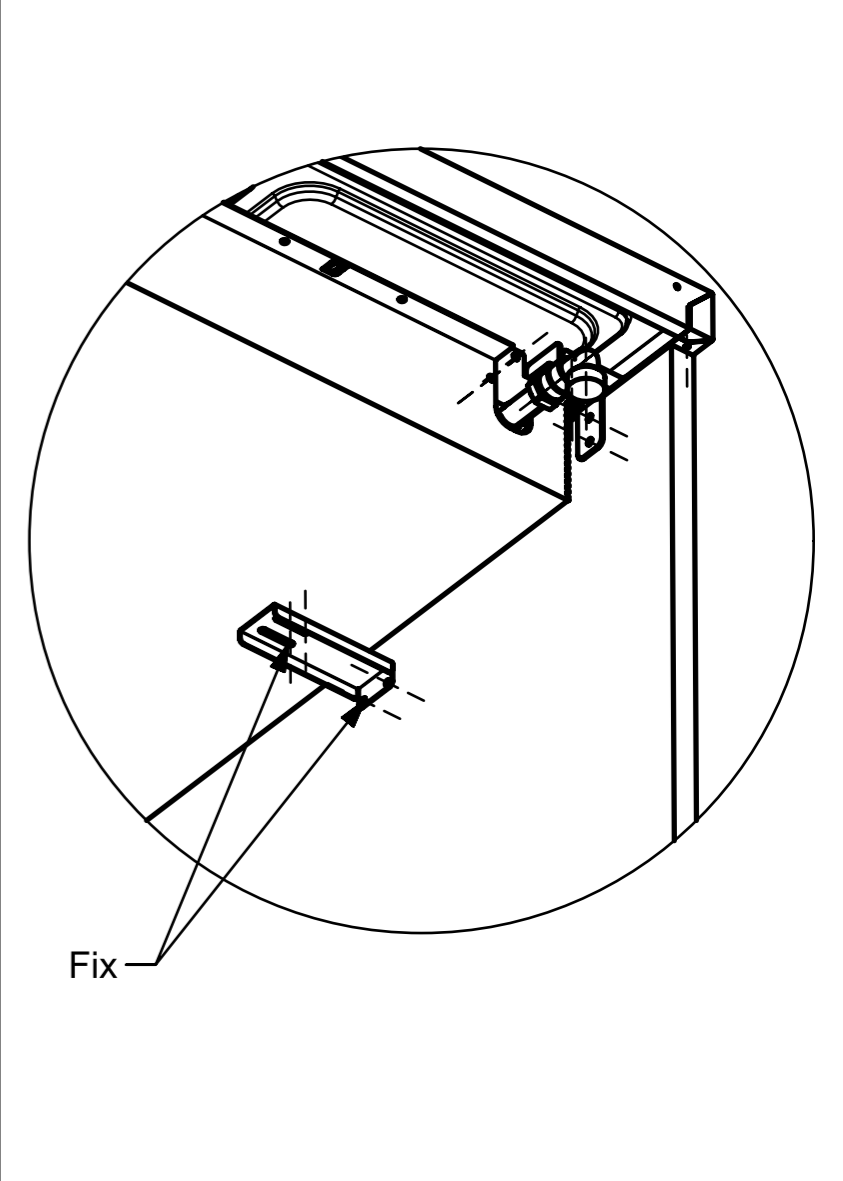
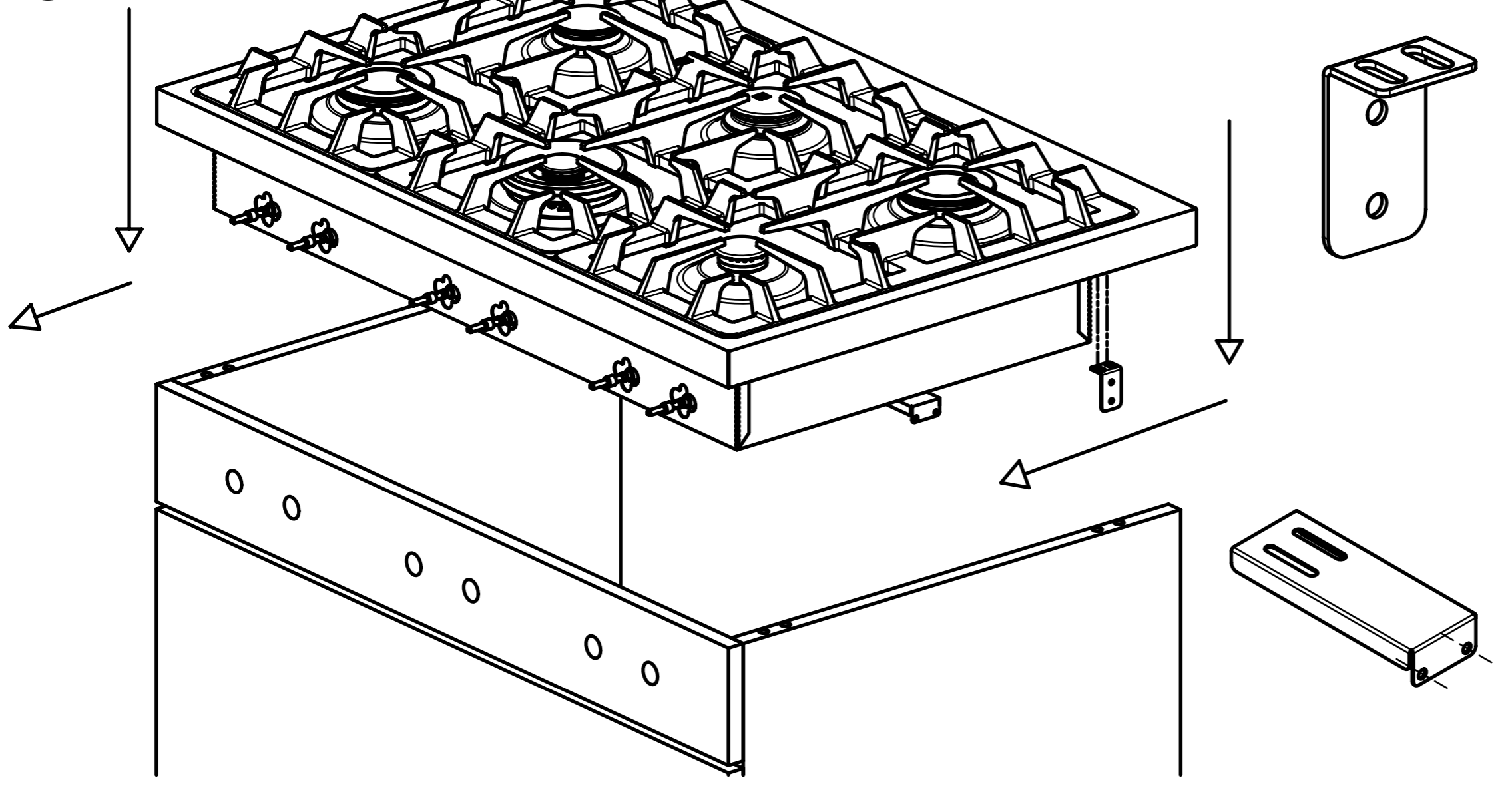
Cabinet screw holes setting without template



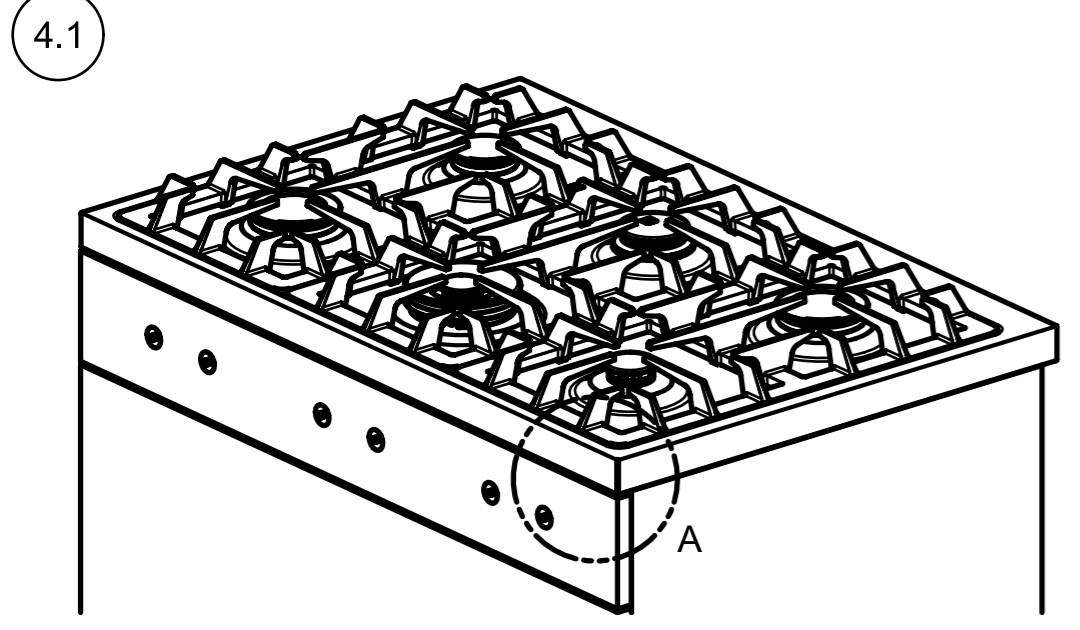
4

Mounting brackets

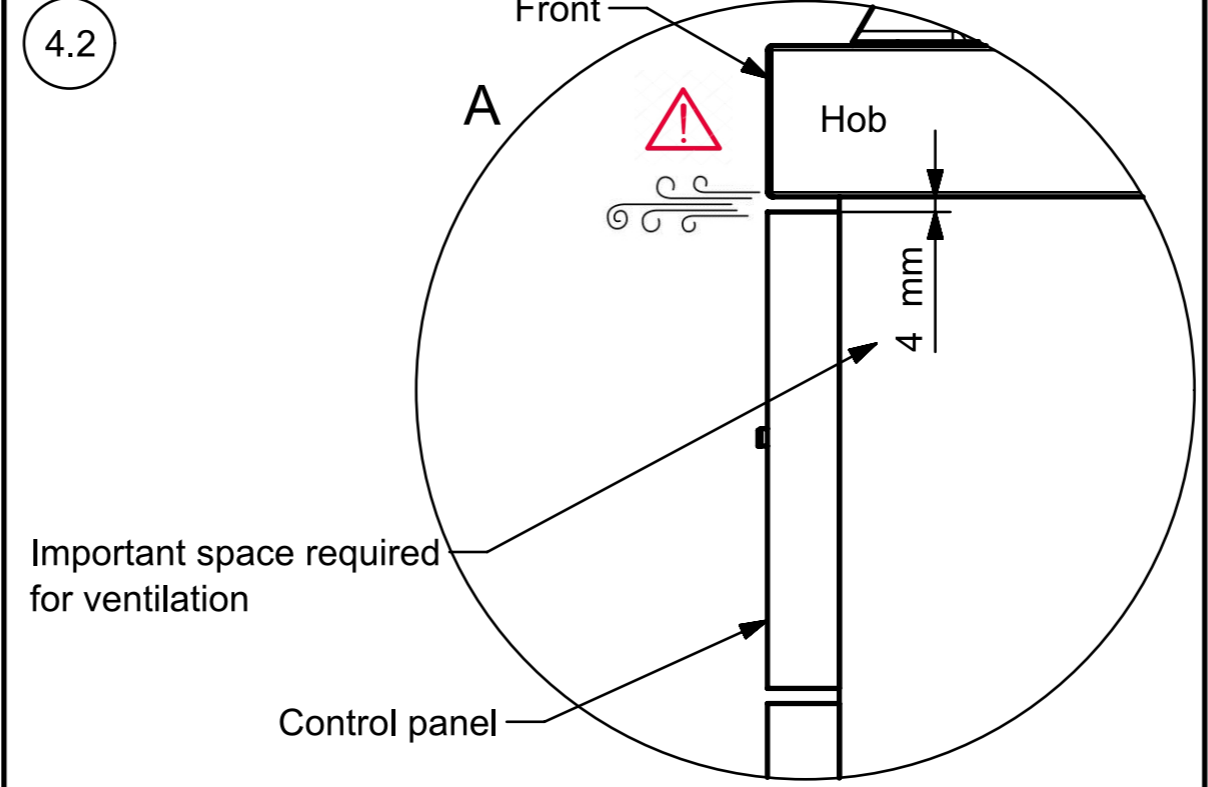
4.3



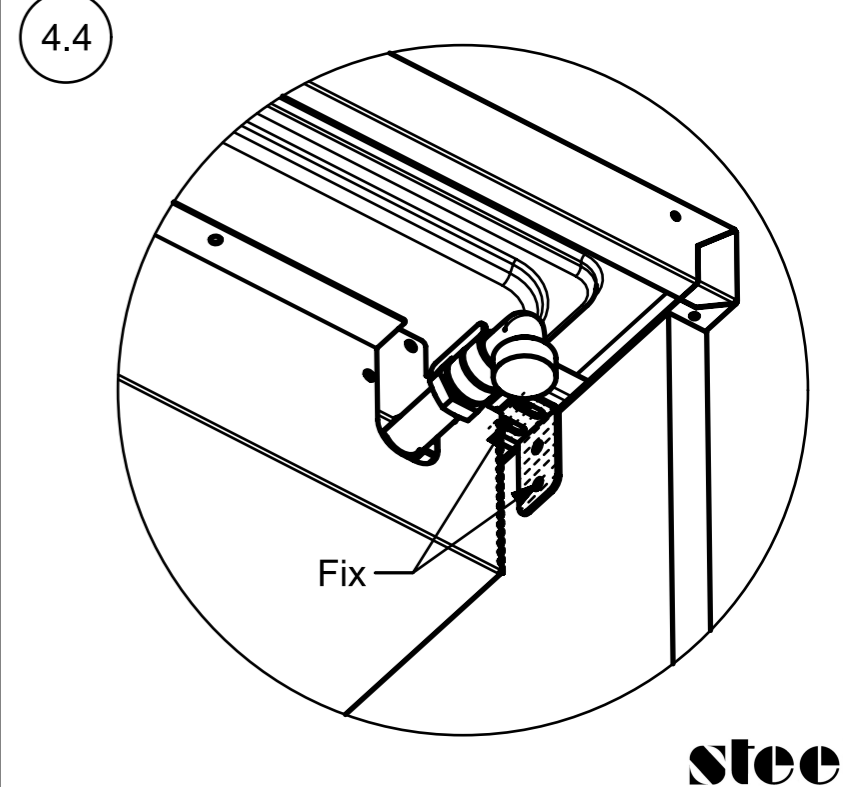
4.1



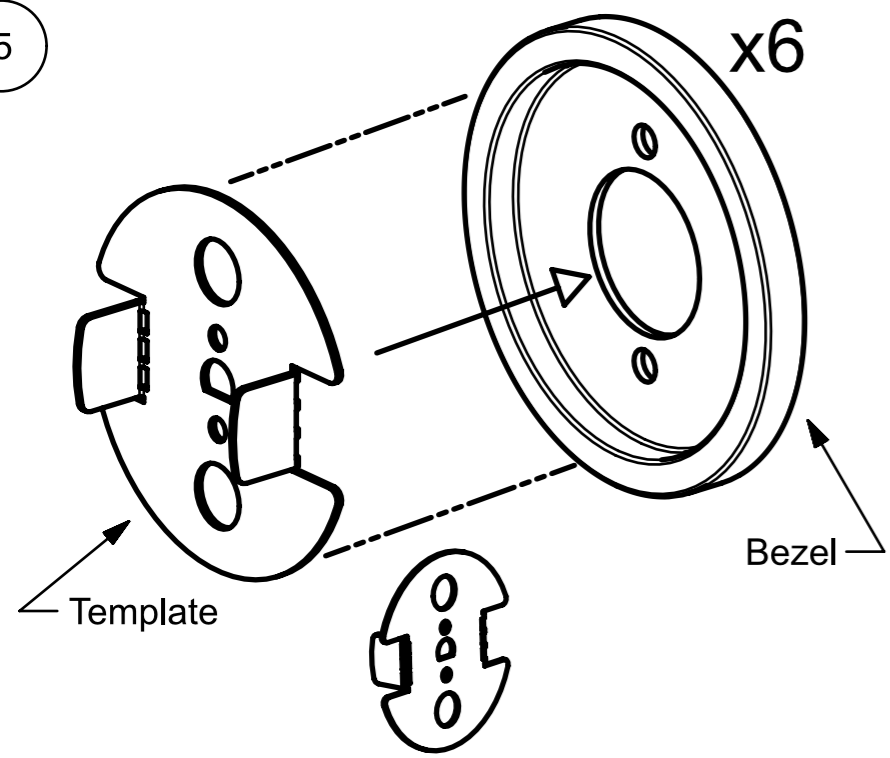
4.2



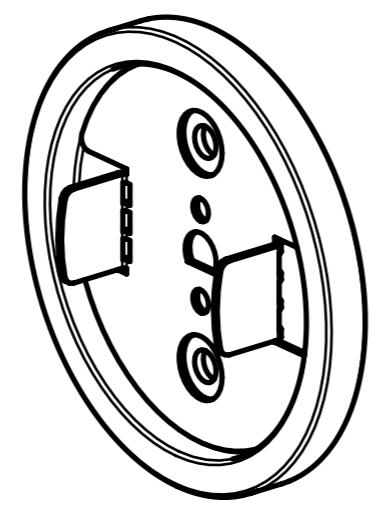
4.4



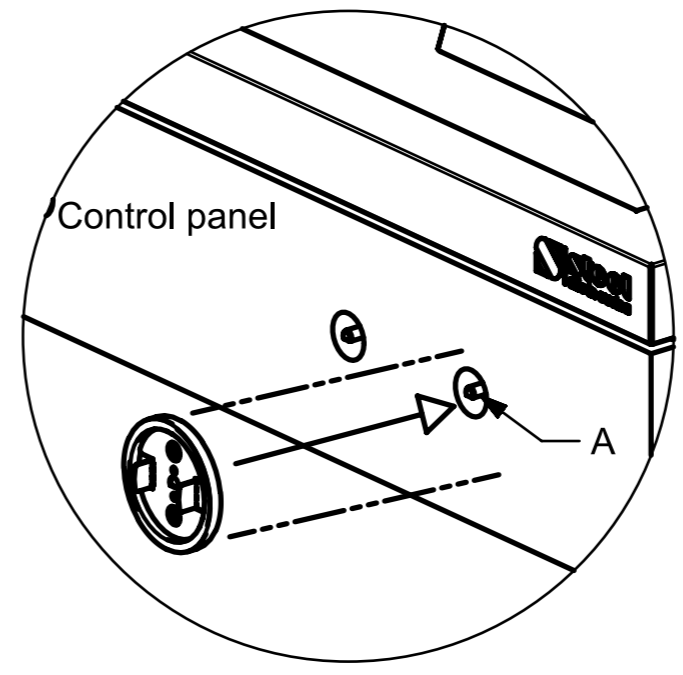
5



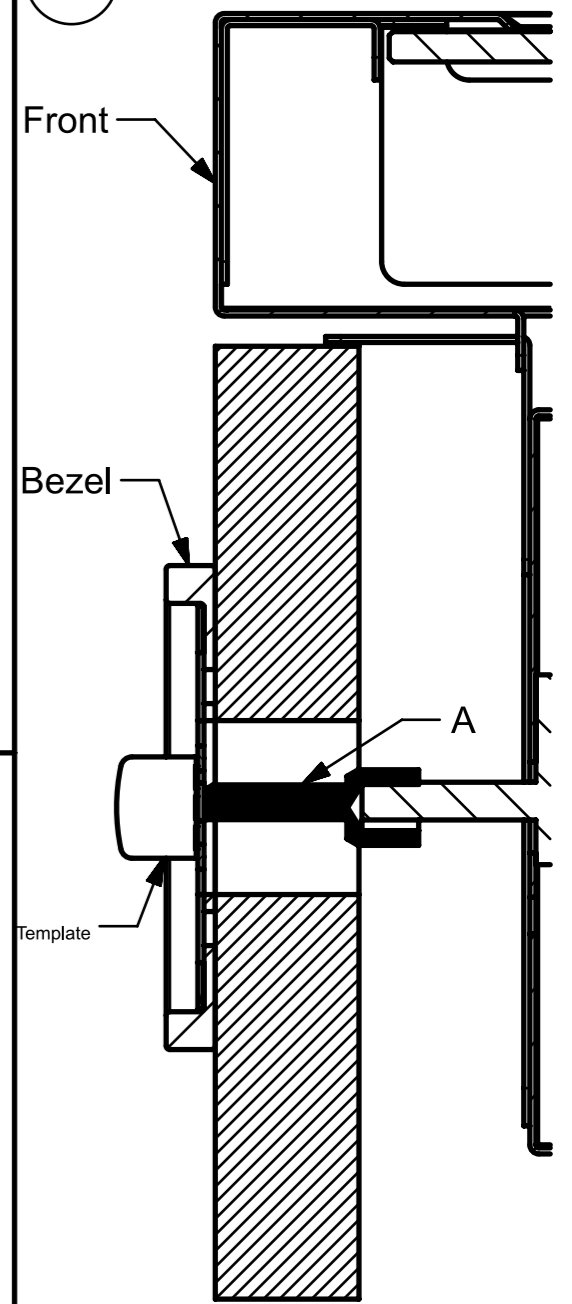
5.1



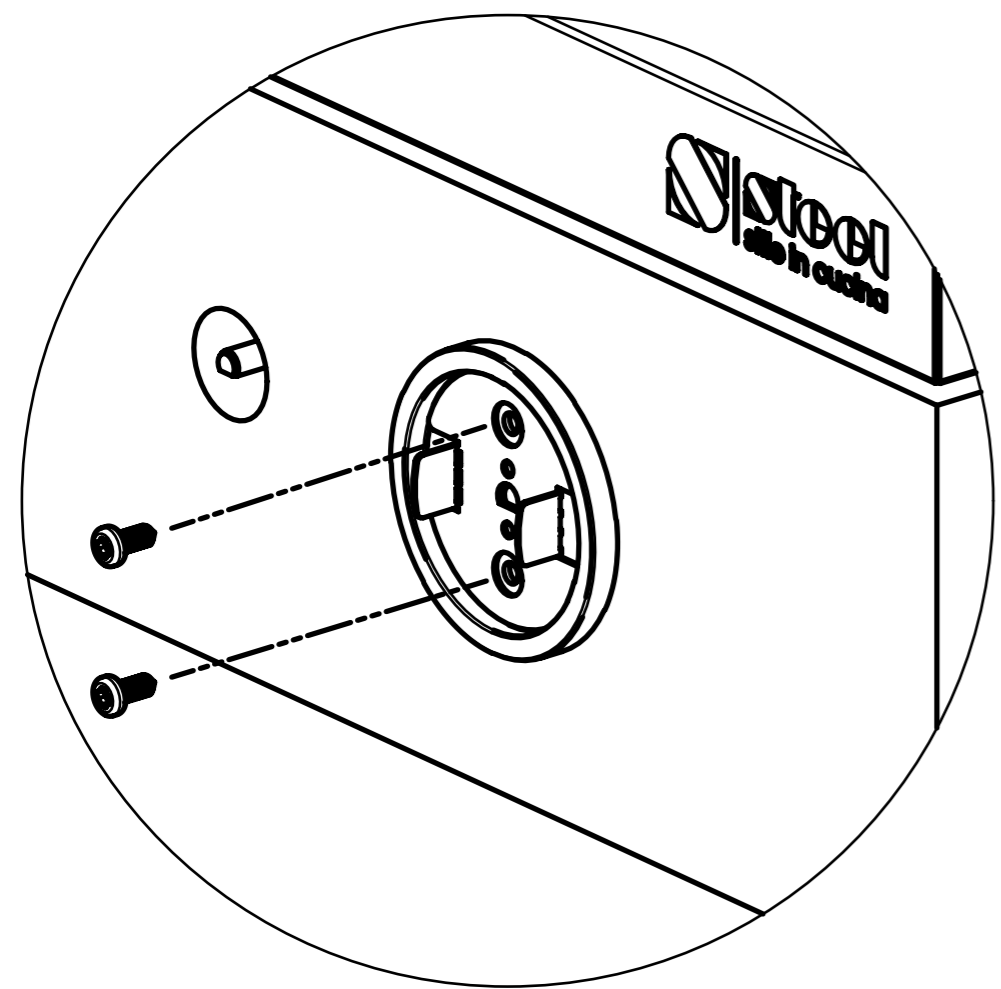
5.2



5.3

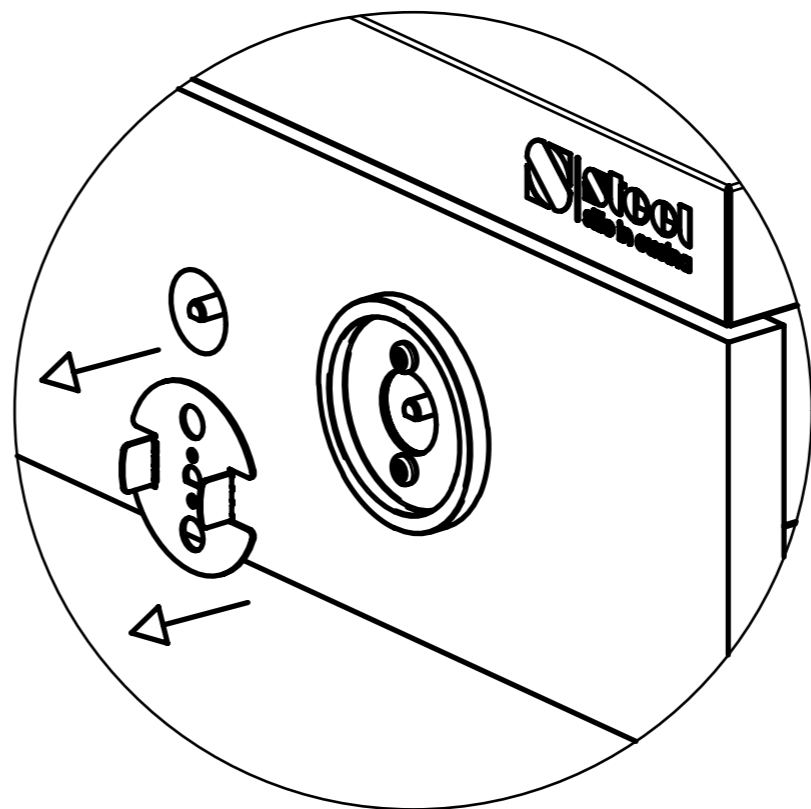


5.4



Fix the bezel

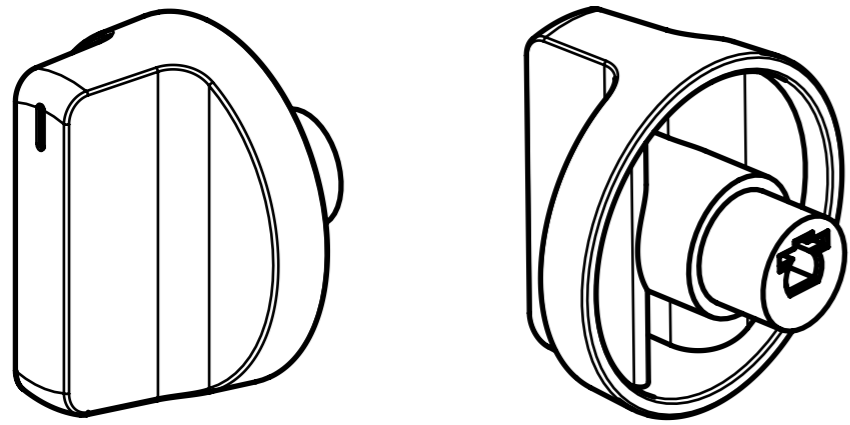
5.5



Remove the template

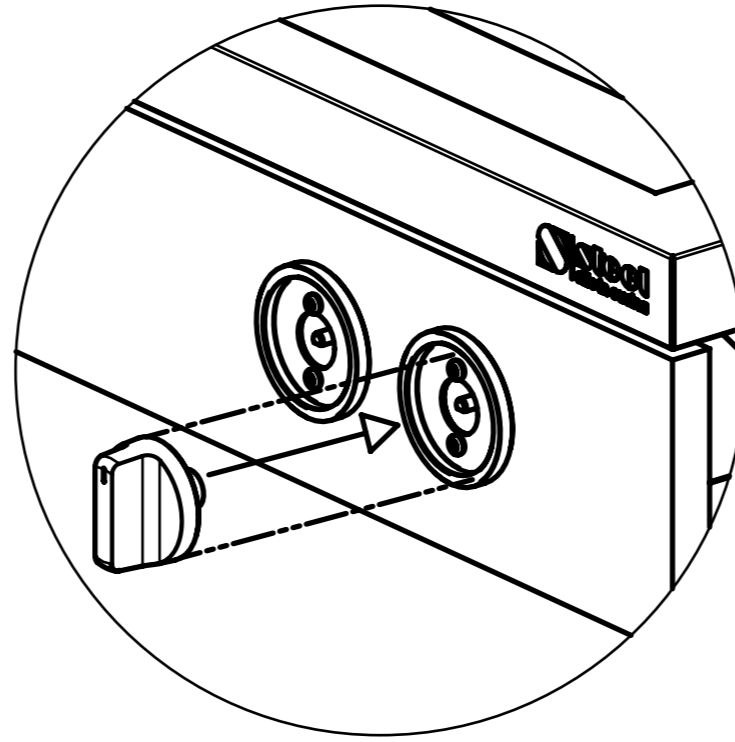
Knob installation optional

6

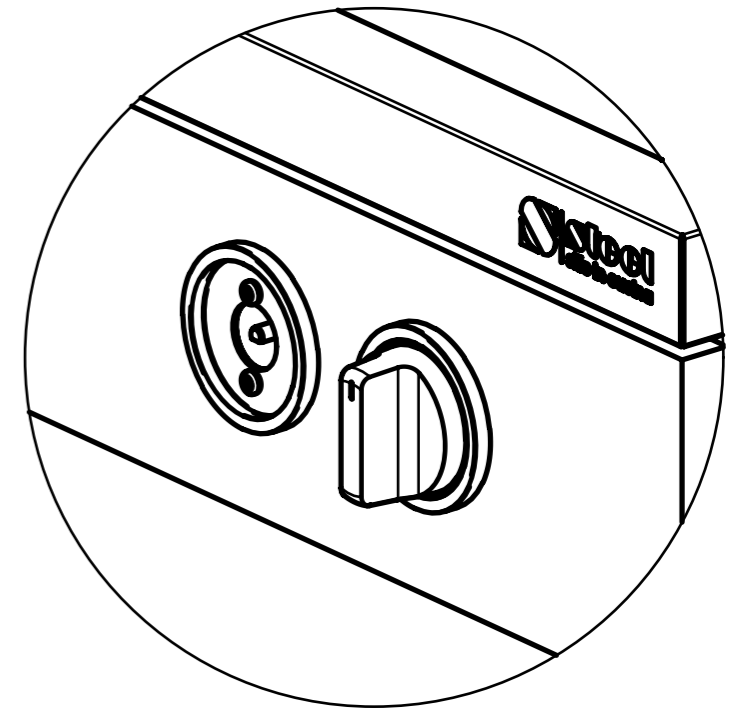


x6

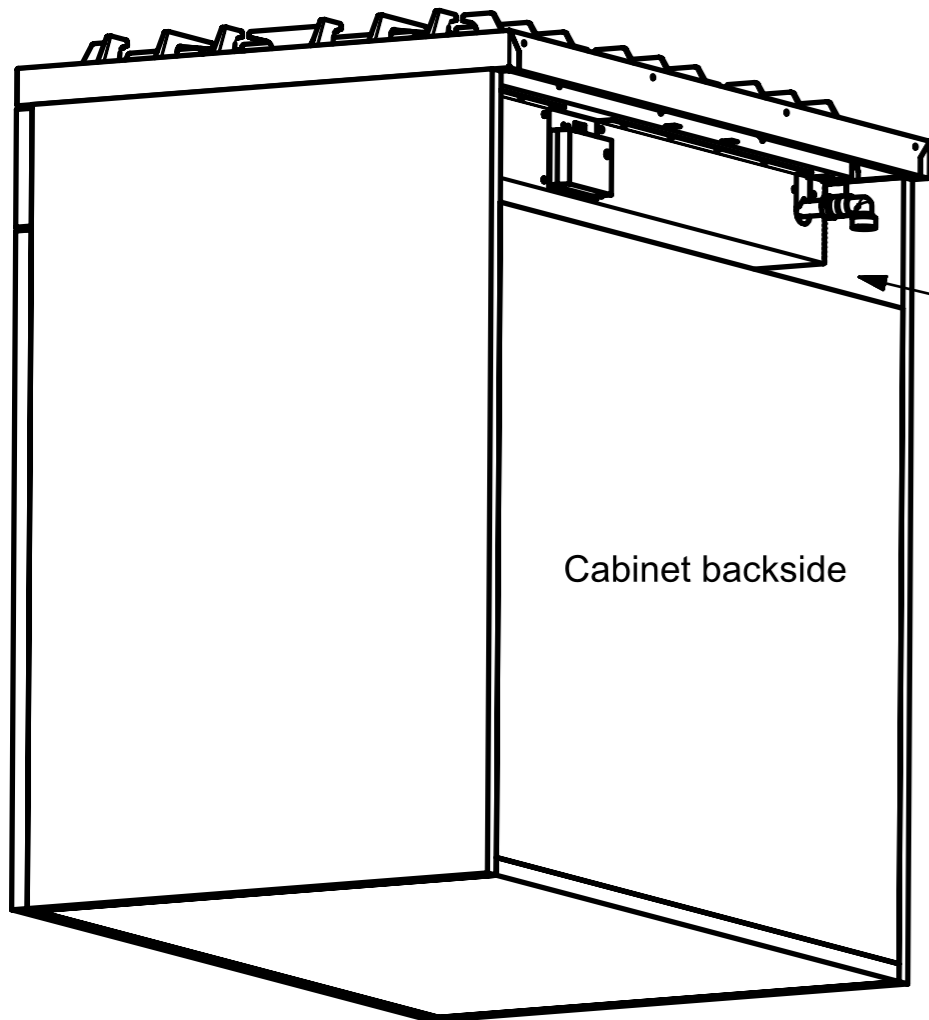
6.1



6.2

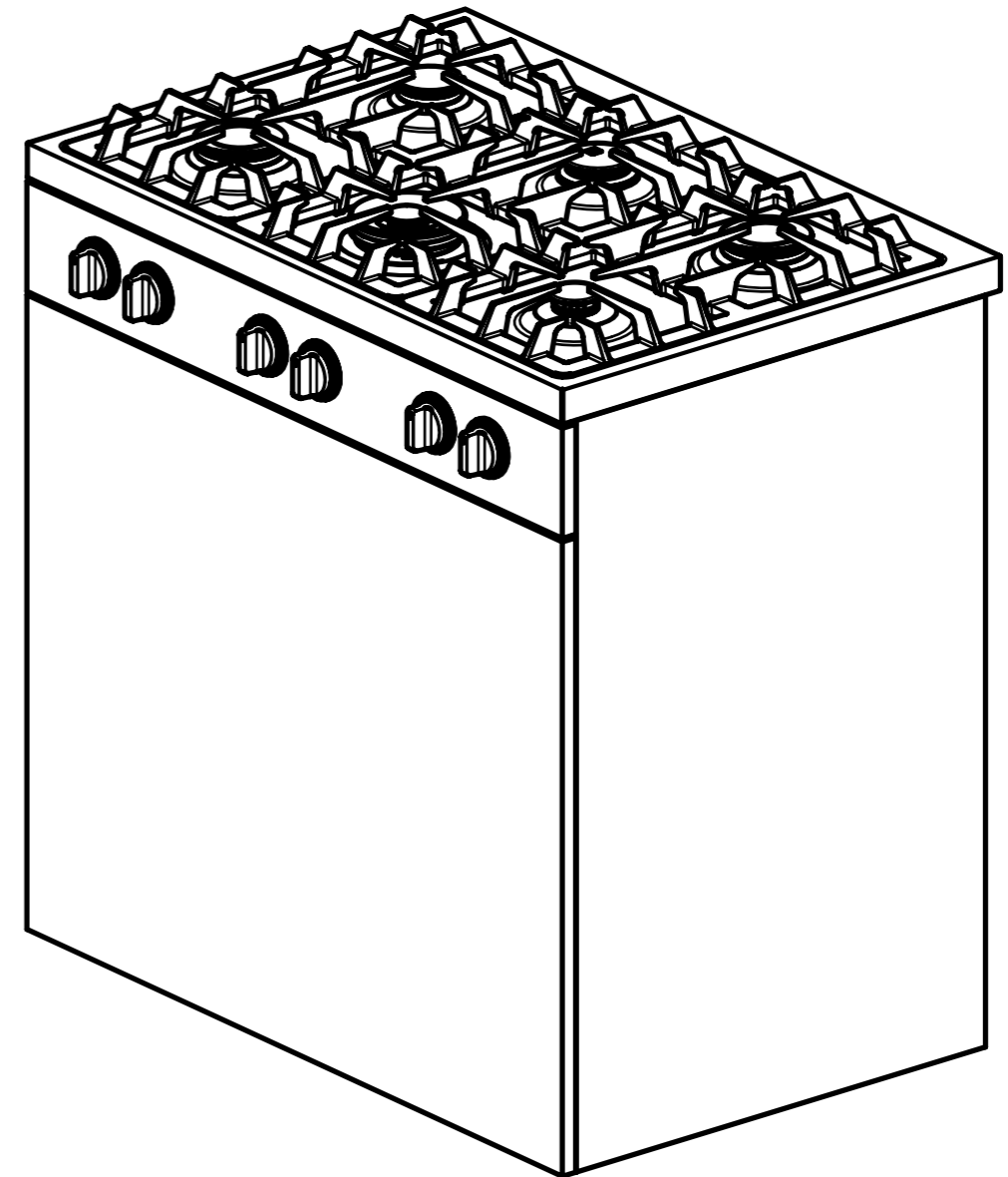


6.3

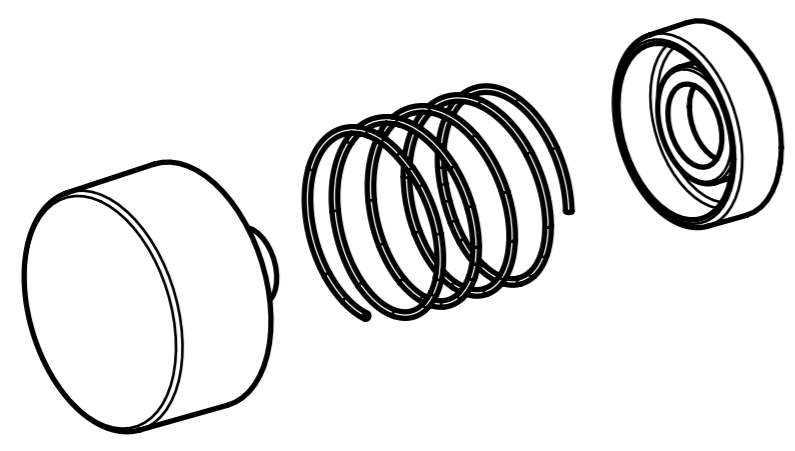


Cabinet backside

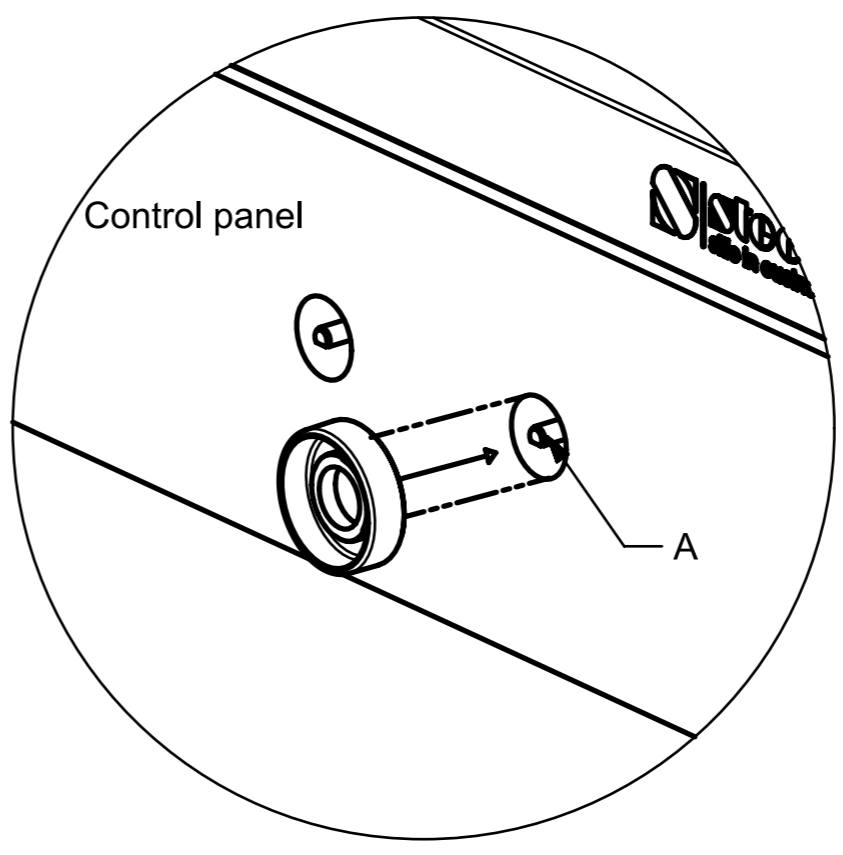
Create a passage for the ventilation
(minimum 10 cm)



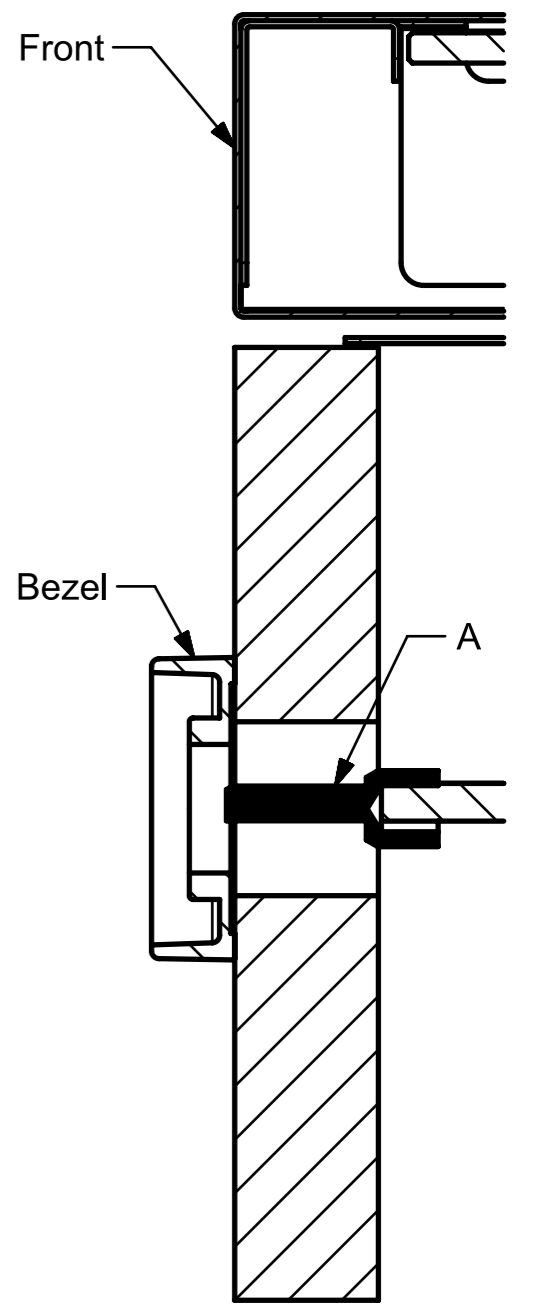
7



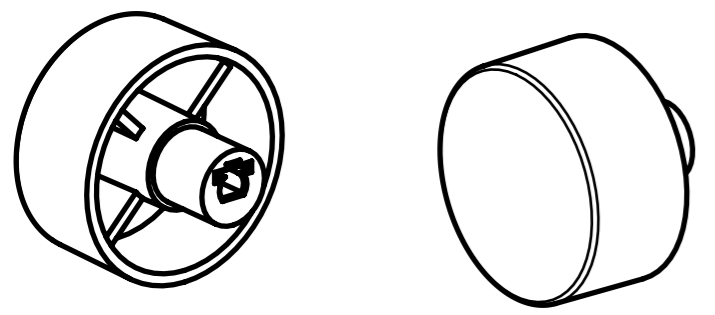
7.1



7.2

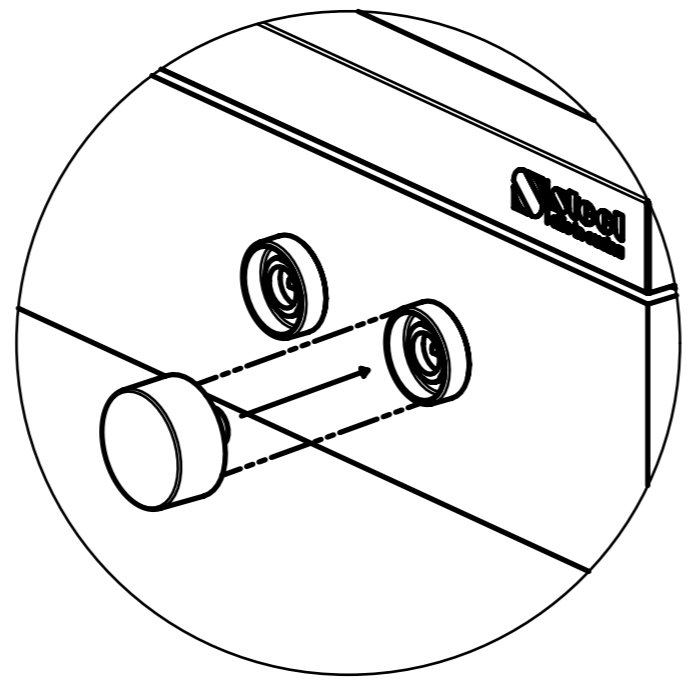


7.3

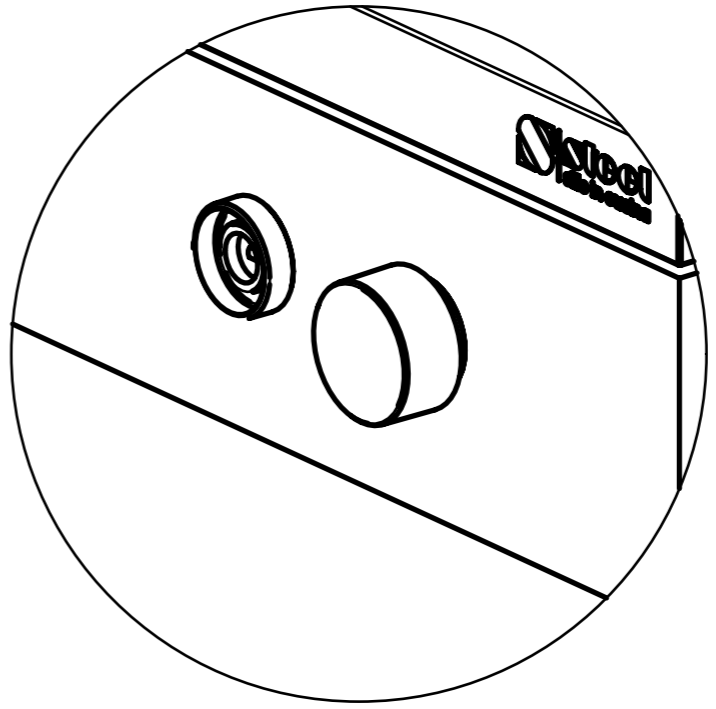


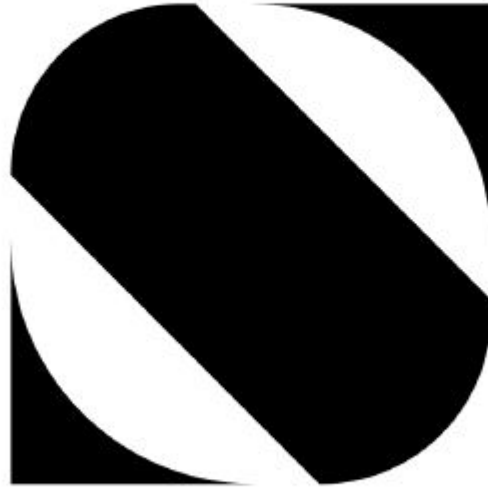
X6

7.4



7.5





www.steel-cucine.com

STEEL SRL

Via dell'Agricoltura 21
41012 Carpi (MO) - Italy
T. + 39 059 645180
F. + 39 059 6220804
P. Iva 02593690361