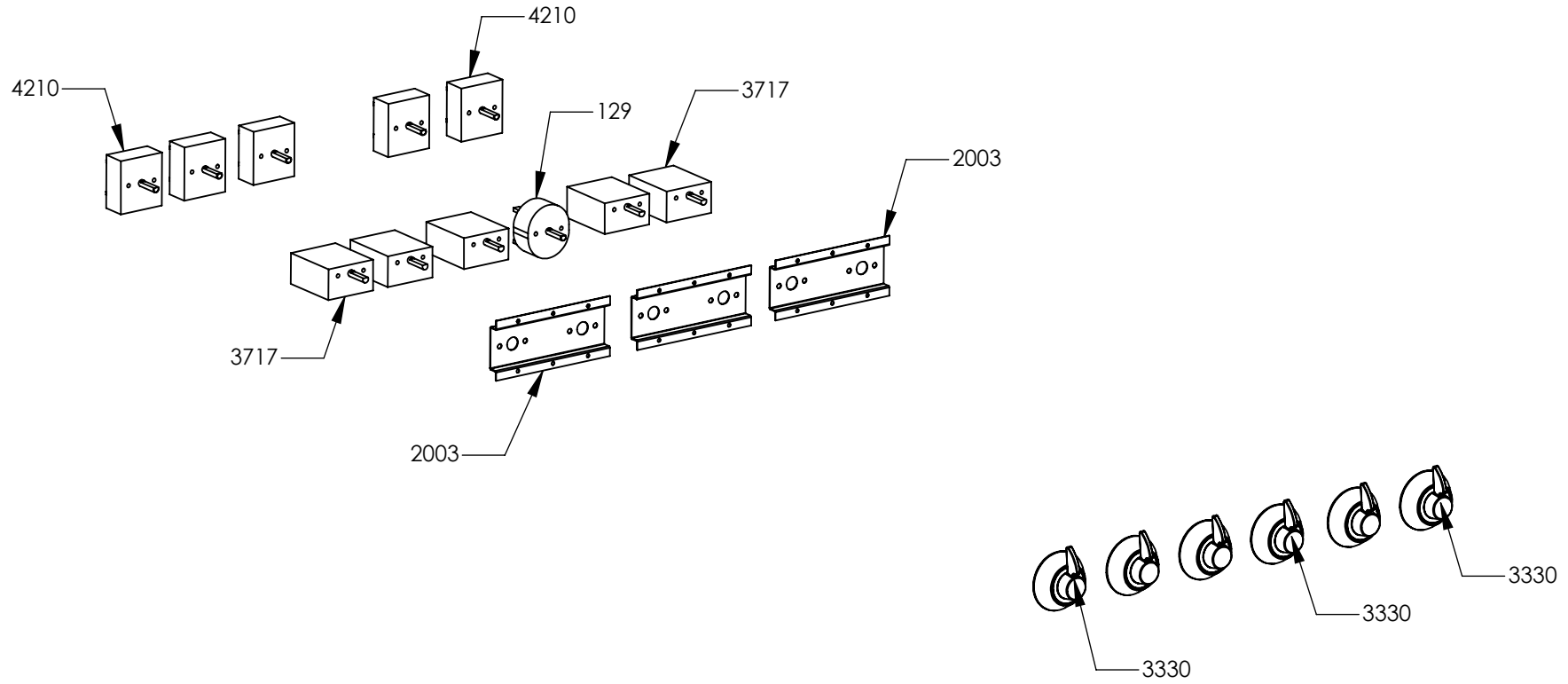
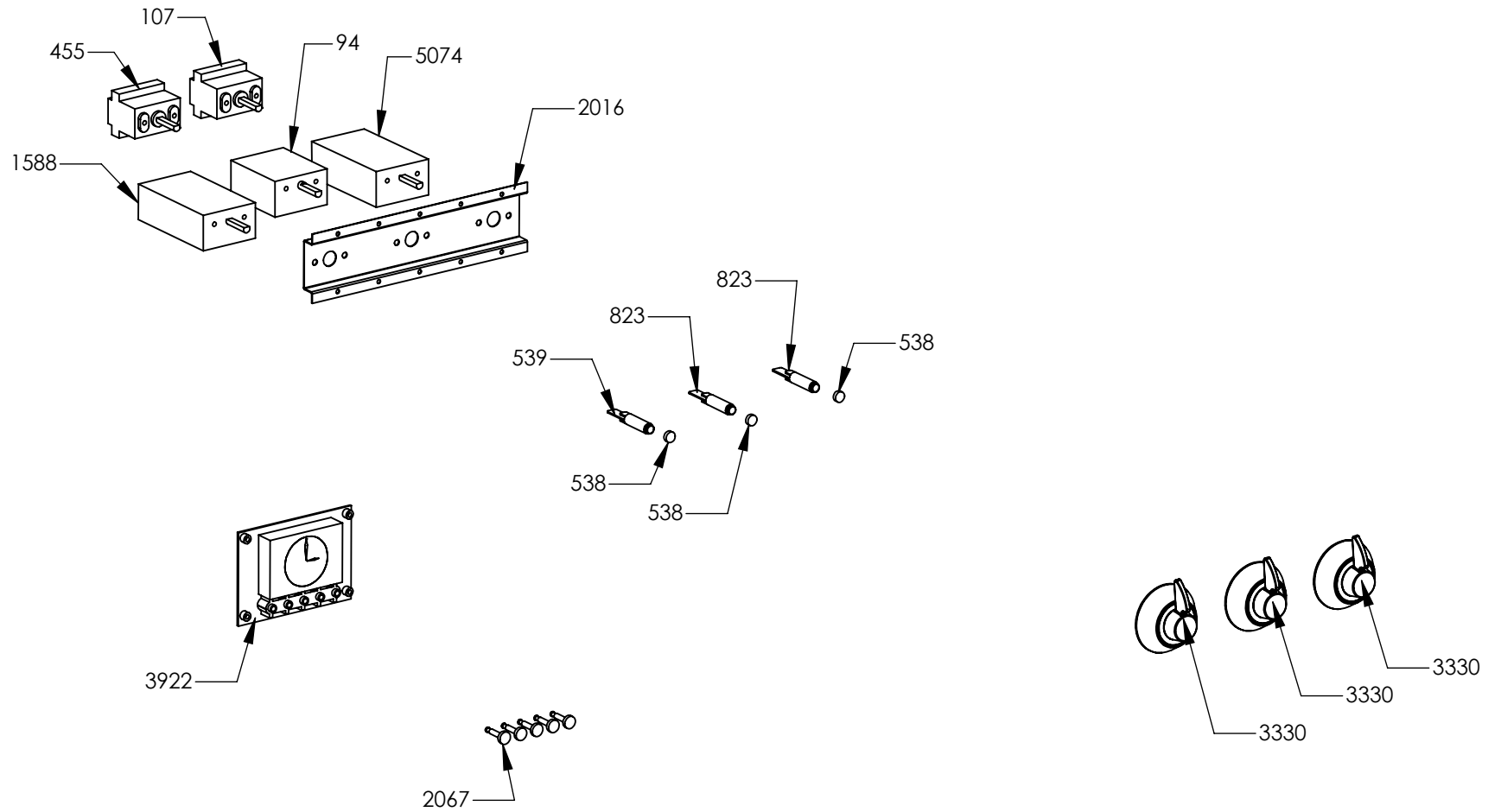


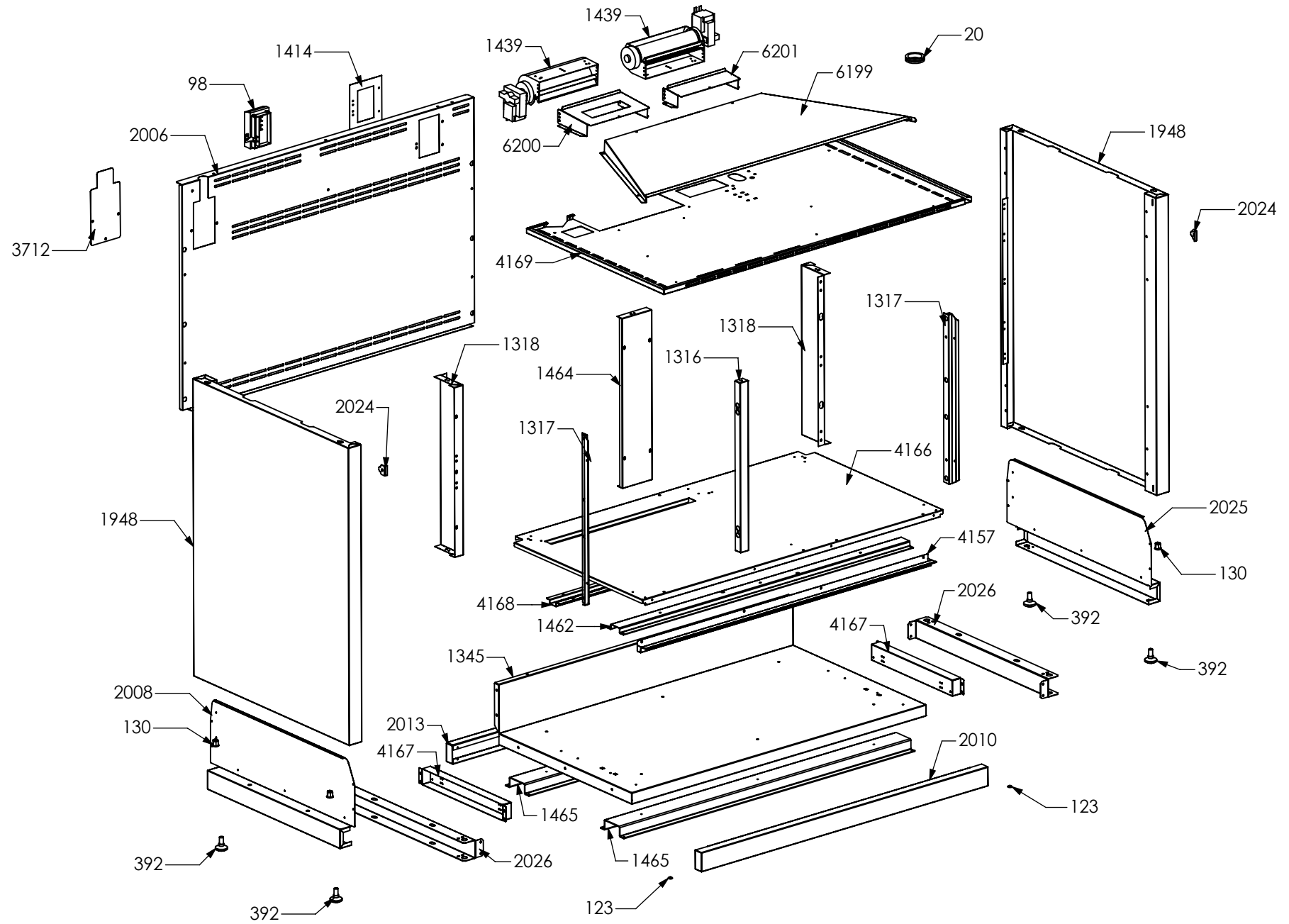
N° Object	Code	Description	Qty
1014	ZS2026	Thermostat TY60 N.O. fixing B	2
1441	ZS2665	Support for fan timelag device	1
1575	ZS2931	Spacer between glasses	2
1606	ZS2995	Fixing spring for front profile	16
2000	ZS3185	Back splash for cooker 100 Ascot	1
2052	ZS3643	Support for internal support control panel 100 Ascot	1
4266	ZS6787	Encoders control board	1
5190	ZS8174	Handle for hob cooker Ascot 100 chromed terminal nickel	1
5783	ZS6817	Feet for electronic components EGO	3
5784	ZS6904	Cover for induction terminal board	1
5785	ZS6905	Bridge for induction terminal board	1
6036	ZS8446	Clamp support for induction 90/100 Sintesi front / rear	2
6038	ZS8877	Support for electronic control induction element	1
6071	ZA0469	Induction 5 element OCTA EGO 75.08016.610	1
6095	GP0202	Assembly cooktop cooker 100 double oven induction Ascot OCTA	1
6070	ZA0468	Glass for 100 induction hob or cooker	1
1957	ZS3495	Washer 4.3 x 10 x 3	4
5038	ZS7683	Complete upper right side Ascot VTRC/IND	1
5039	ZS7684	Complete upper left side Ascot VTRC/IND	1
6154	ZC0334	Profile control panel drawer 100 Ascot internal black	1
6215	ZP0425	Support for fan timelag device	1
6308	ZP0412	Profile control panel drawer 100 Ascot external inox	1
6379	ZC0425	Control panel front 5FI induction Ascot 100 DC S.Steel with serygr.	1



N° Object	Code	Description	Qty
129	601154	Timer	1
2003	ZS3195	Commutator support 2 positions	3
3330	ZS5412	Ascot chromed knob	6
3717	ZS6026	Switch for induction encoder	5
4210	ZS5377	Energy regulator for induction 230 V EGO EU	5



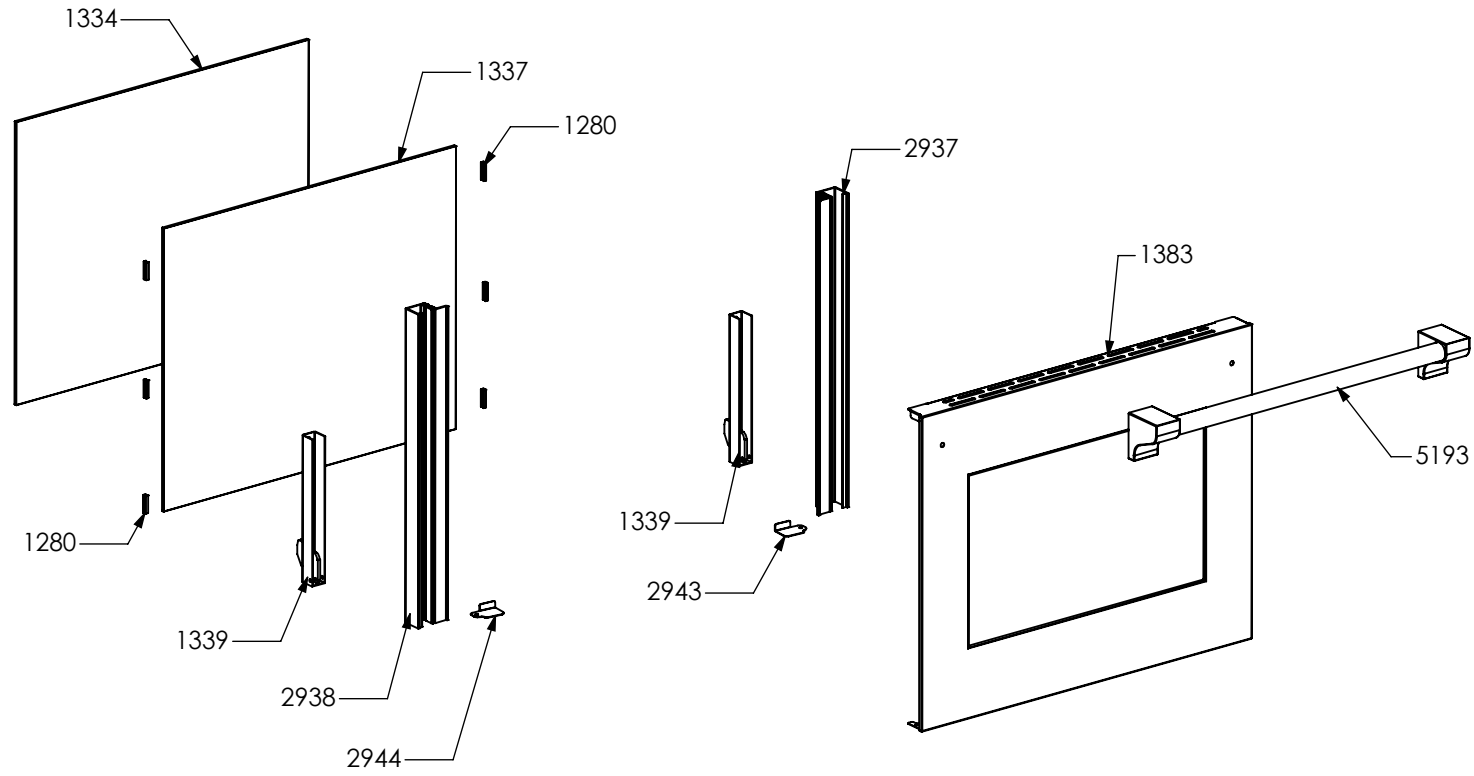
N° Object	Code	Description	Qty
94	481814	Commutator multif. for 90 built-in oven(no pizza)	1
107	482120	Thermostat cooker 192	1
455	ZS1075	Oven thermostat	1
538	ZS1204	Led transparent	3
539	ZS1205	Fluorescent green warning light	1
823	ZS1755	Fluorescent orange warning light	2
1588	ZS2889	Commutator oven functions 90 EGO	1
2016	ZS3227	Commutator support 3 positions	1
2067	ZS3785	Knob for timer gray	5
3330	ZS5412	Ascot chromed knob	3
3922	ZS6184	Timer (white led) LCD-ELA 1000	1
5074	ZS7893	Commutator oven functions 060 R	1



N° Object	Code	Description	Qty	N° Object	Code	Description	Qty
20	401520	Black cap for glass front panel	2	4168	ZS6685	Reinforcement for ceiling drawer cooker 100 SF double oven 04	1
98	481913	Terminal block for oven 32 PA 233	1	4169	ZS6686	Muffle fan guard cooker 100 double/Triple oven Steam	1
123	541011	Spacer washer for built-in oven	2	6199	ZP0348	Air conveyor for cooktop 100 double / triple oven	1
392	ZS0903	Sintesi black foot H.15	4	6200	ZP0349	Air conveyor for cooktop SX	1
1316	ZS2474	Front central muffle support cooker 100/120 double oven	1	6201	ZP0350	Air conveyor for cooktop DX	1
1317	ZS2475	Front support for muffle left/right side 100/120 double/triple oven cooker	2				
1318	ZS2477	Rear support for muffle left/right side cooker 100 double/triple oven	2				
1345	ZS2479	Lower guard for cooker 100 double oven 04	1				
1414	ZS2601	Terminal board support	1				
1439	ZS2663	Cooling fan L=180 Plaset (AU)	2				
1462	ZS2472	Reinforcement for ceiling drawer cooker 100 double oven 04	1				
1464	ZS2476	Rear central support for muffle cooker 100 double oven	1				
1465	ZS2478	Reinforcement for lower guard cooker 100 double oven 04	2				
1948	ZS3225	Complete lower right/left side Ascot S.STEEL	2				
2006	ZS3198	Rear guard for cooker 100 double oven Ascot	1				
2008	GR3201	Assembly support lower left side Ascot	1				
130	601156	Tapping screw M10 galvanized	2				
2026	ZS3318	Reinforcement drawer side structure plinth Ascot	1				
2010	ZS3203	Plinth for cooker 100 double oven Ascot	1				
2013	ZS3206	Plinth rear for cooker 100 Ascot	1				
2024	ZS3305	Fixing plate for top Ascot	2				
2025	GR3317	Assembly support lower right side Ascot	1				
130	601156	Tapping screw M10 galvanized	2				
2026	ZS3318	Reinforcement drawer side structure plinth Ascot	1				
3712	ZS5978	Ramp hole closing plate	1				
4157	ZS6628	Bracket condensate collection for 100 DC Steam	1				
4166	ZS6683	Drawer upper guard for cooker 100 double oven Steam	1				
4167	ZS6684	Spacer for drawer guide	2				



2728

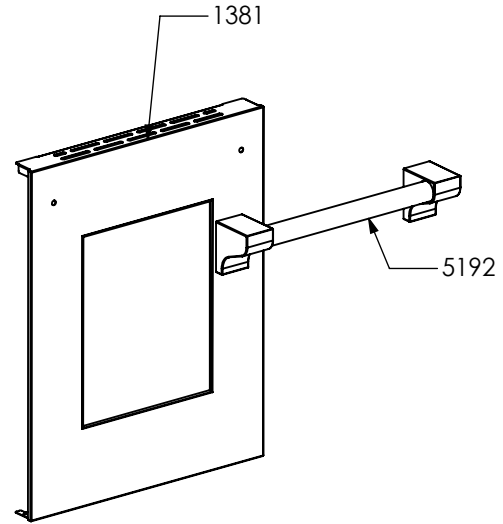
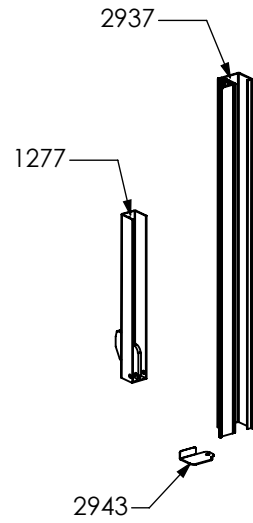
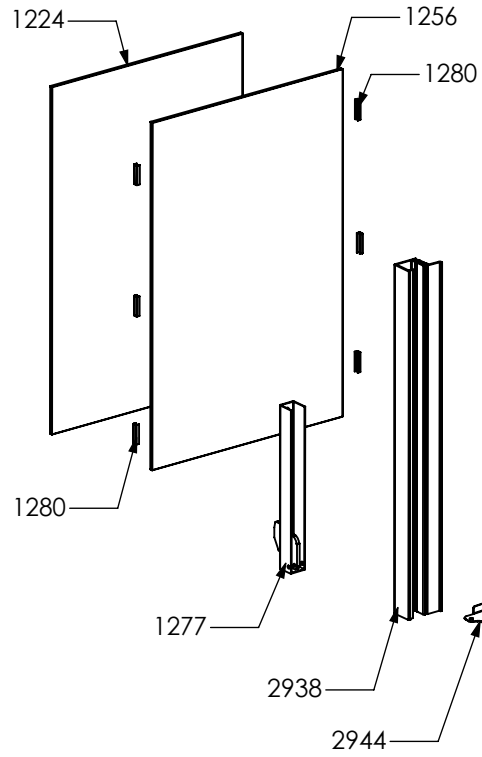


N° Object	Code	Description	Qty
2728	GR4342	Assembly glued oven door 60/100 double oven Ascot	1
2937	GR4313	Assembly door 30/60/90 right bar profile 07	1
2938	GR4314	Assembly door 30/60/90 left bar profile 07	1
1334	ZS2308	Inner glass oven door 60	1
1337	ZS2393	In-between glass oven door 60 04	1
1339	ZS2416	Door hinge for multifunction oven 60	2
1280	ZS2419	Spring for door glass assembling 04	6
1383	ZS2550	Glued external oven door 60/100 double oven	1
2943	ZS4746	Right support for inner glass	1
2944	ZS4747	Left support for inner glass	1
5193	ZS8177	Handle for oven door 60 Ascot 70/100 chromed terminal nickel	1

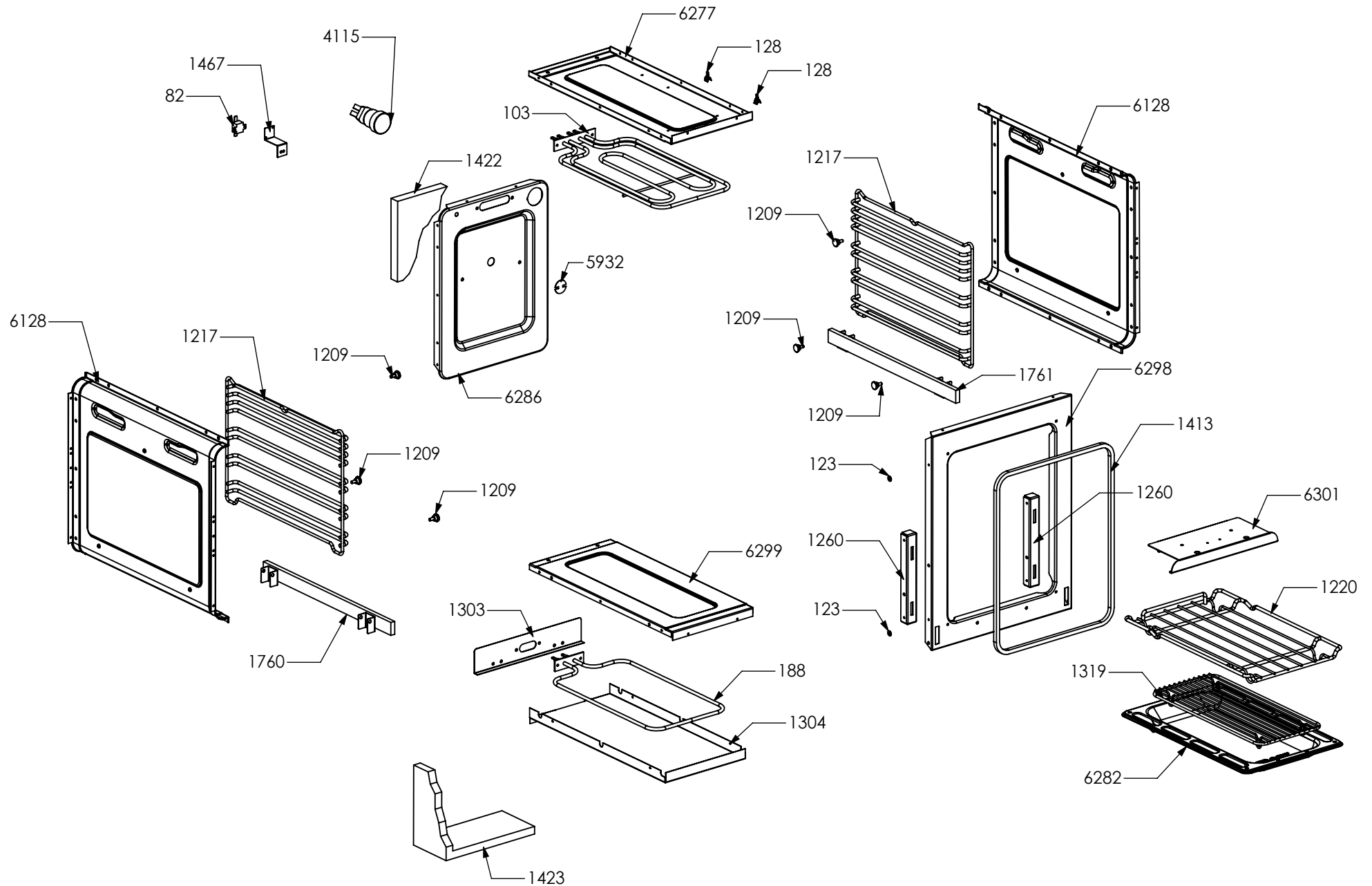


N° Object	Code	Description	Qty	N° Object	Code	Description	Qty
82	481403	Thermoswitch 16 Ampere	1	6272	ZA0488	Circular tangential oven 90 fan without fan and nut	1
128	601152	Spring fixing feeler for built-in oven	2	6273	ZA0489	Nut for circular tangential oven	1
566	ZS7590	Lower heating element for oven 60 (1200W/230V)	1	6274	ZA0490	Fan for circular tangential oven	1
1209	414559	Lateral frame support for built-in oven	6	6278	ZC0349	Enamelled muffle ceiling oven 60 grey	1
1217	ZS2283	Oven lateral frame 30/60/90	2	6280	ZC0353	Enamelled muffle front side oven 60 grey	1
1219	ZS2286	Chromed wire grid for oven 60	2	6283	ZC0356	Enamelled drip tray for oven 60 grey	1
1260	ZS2395	Hinge support 06	2	6288	ZC0366	Grill heating element support for muffle oven 60 enamelled grey	1
1305	ZS2456	Lower heating elem.support oven 60 double oven 04	1	6300	ZC0360	Enamelled muffle bottom for oven 60 grey	1
1306	ZS2459	Lower heating element tray oven 60 04	1	6328	ZC0350	Fan cover for oven 60 with turnspit hole grey	1
1320	ZS2489	Trivet for oven 60 04	1				
1333	ZS2289	Support for grillrod 60/90	1				
1349	ZS2499	Fixing support for turnspit motor oven 60/90	1				
1424	ZS2629	White glass wool for rear side 60 oven 04	1				
1425	ZS2632	White glass wool for 60 oven 04	1				
1467	ZS2604	Support for safety thermostat 04	1				
1760	ZS3078	Telescopic liner left	1				
1761	ZS3079	Telescopic liner right	1				
1832	482094	Grill heating element for oven 60 (1900+850W)	1				
2891	482589	Circular heating element 230V-2100W	1				
3259	ZS5174	Turnspit for oven 60 (4 forks + handle) - 04	1				
3261	ZS5236	Turnspit motor reducer 50/60 Hz	1				
3937	ZS6339	Ceramic tiles for oven	1				
4115	ZS6631	Complete Lamp-holder for oven (max 25 W)	1				
4132	ZS6541	Gasket oven 60 H=8.9 mat HT	1				
4574	ZS6005	Fixing support for turnspit motor oven 60/90	1				
6128	ZC0296	Side muffle oven 30/60/90 enamelled 04 grey	2				
6269	GP0194	Assembly rear muffle oven 60 enamelled grey	1				
1401	ZS2585	Tapping screw M5 aluminium	4				

2716

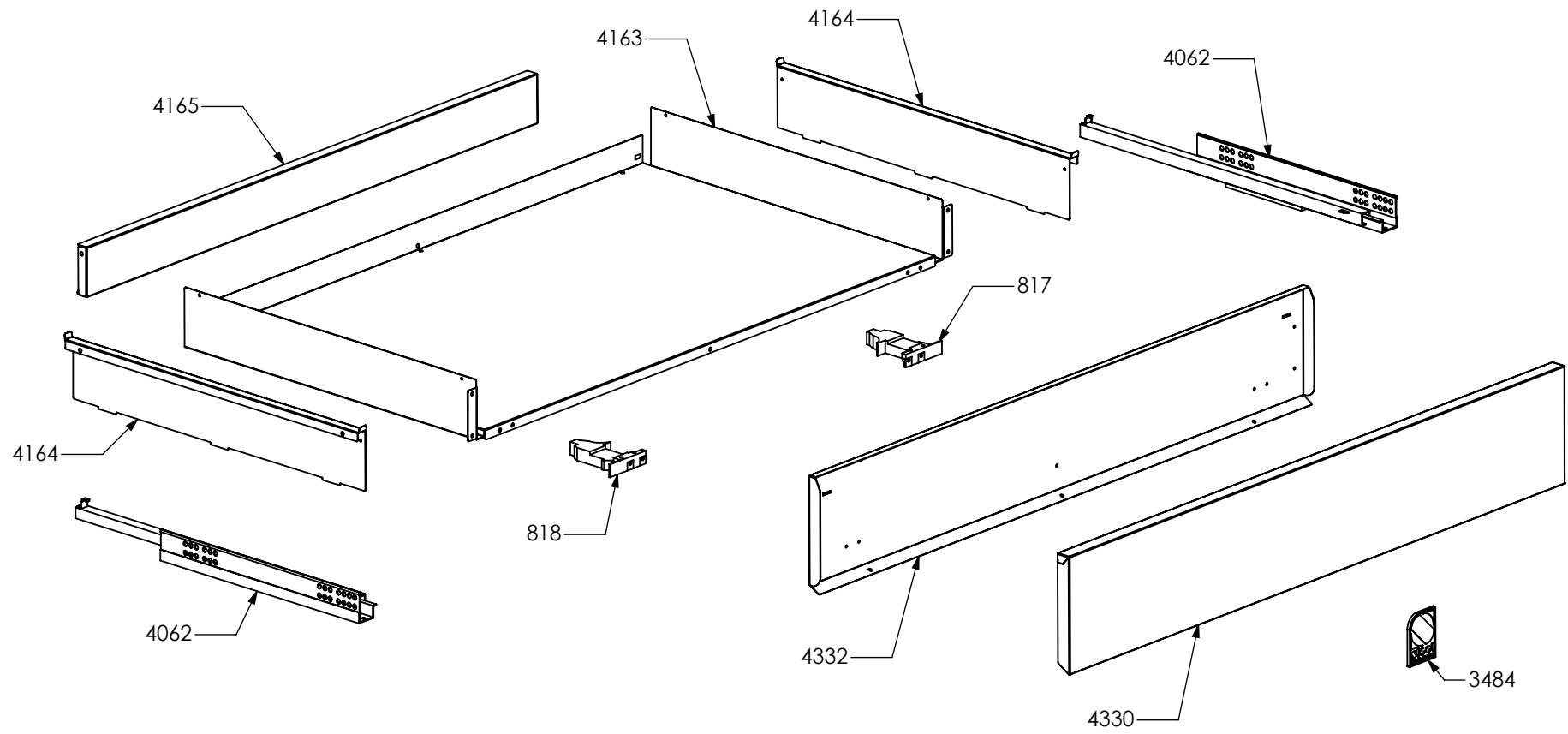


N° Object	Code	Description	Qty
2716	GR4330	Assembly glued oven door 30 s.steel Ascot	1
2937	GR4313	Assembly door 30/60/90 right bar profile 07	1
2938	GR4314	Assembly door 30/60/90 left bar profile 07	1
1224	ZS2311	Inner glass oven door 30	1
1256	ZS2390	In-between glass oven door 30 04	1
1277	ZS2414	Door hinge for oven 60 G	2
1280	ZS2419	Spring for door glass assembling 04	6
1381	ZS2546	Glued external oven door 30 KL	1
2943	ZS4746	Right support for inner glass	1
2944	ZS4747	Left support for inner glass	1
5192	ZS8176	Handle for oven door 30 Ascot 100/120 chromed terminal nickel	1



N° Object	Code	Description	Qty	N° Object	Code	Description	Qty
82	481403	Thermoswitch 16 Ampere	1				
103	482072	Upper heating element cooker	1				
123	541011	Spacer washer for built-in oven	2				
128	601152	Spring fixing feeler for built-in oven	2				
188	ZS7653	Lower heating element for oven 30	1				
1209	414559	Lateral frame support for built-in oven	6				
1217	ZS2283	Oven lateral frame 30/60/90	2				
1220	ZS2287	Chromed wire grid for oven 30	1				
1260	ZS2395	Hinge support 06	2				
1303	ZS2454	Lower heating elem.support oven 30 04	1				
1304	ZS2455	Lower heating element tray oven 30 04	1				
1319	ZS2488	Trivet for oven 30 04	1				
1413	ZS2599	Gasket oven 30 04	1				
1422	ZS2627	White glass wool for rear side 30 oven 04	1				
1423	ZS2628	White glass wool for 30 oven 04	1				
1467	ZS2604	Support for safety thermostat 04	1				
1760	ZS3078	Telescopic liner left	1				
1761	ZS3079	Telescopic liner right	1				
4115	ZS6631	Complete Lamp-holder for oven (max 25 W)	1				
5932	ZP0119	Turnspit hole cap	1				
6128	ZC0296	Side muffle oven 30/60/90 enamelled 04 grey	2				
6277	ZC0348	Enamelled muffle ceiling oven 30 grey	1				
6282	ZC0355	Enamelled drip tray for oven 30 grey	1				
6286	ZC0361	Muffle rear side oven 30 enamelled grey	1				
6298	ZC0351	Enamelled muffle front side oven 30 grey	1				
6299	ZC0359	Enamelled muffle bottom for oven 30 grey	1				
6301	ZC0365	Grill heating element support for muffle oven 30 enamelled grey	1				





N° Object	Code	Description	Qty
817	ZS0458	Drawer right regulation clip	1
818	ZS0459	Drawer left regulation clip	1
3484	ZS5647	"Steel - Stile in cucina" plate	1
4062	ZS6372	Couple legobox rails partial opening push pull	1
4163	ZS6680	Bottom drawer for cooker 100 double oven S.Steel	1
4164	ZS6681	Drawer lateral side for cooker S.Steel	2
4165	ZS6682	Drawer rear side for cooker 100 double oven S.Steel	1
4330	ZS6840	Drawer door cooker 100 DC SF S.Steel	1
4332	ZS6870	Counterdoor drawer cooker 100 DC SF	1

N° Object	Code	Description	Qty
132	ZS5148	Adhesive tape 16,5 m x 19h (3M)	80
725	601108	Anti-overturning device	0,3
1329	ZS5150	Adhesive tape 33 mt x 25h mm x Th 1.55 mm (3M)	18000
1586	ZS2770	Additional wiring generic L=75 cm Fem Fem	2
2296	ZS2666	Wiring commutators L=20 cm	4
2307	ZS3763	Wiring leds Party	1
5050	ZS7813	Instruction booklet Top/Cooker Multilanguage	1
6114	ZA0631	Wiring diagram for cooker S10FF-6l	1