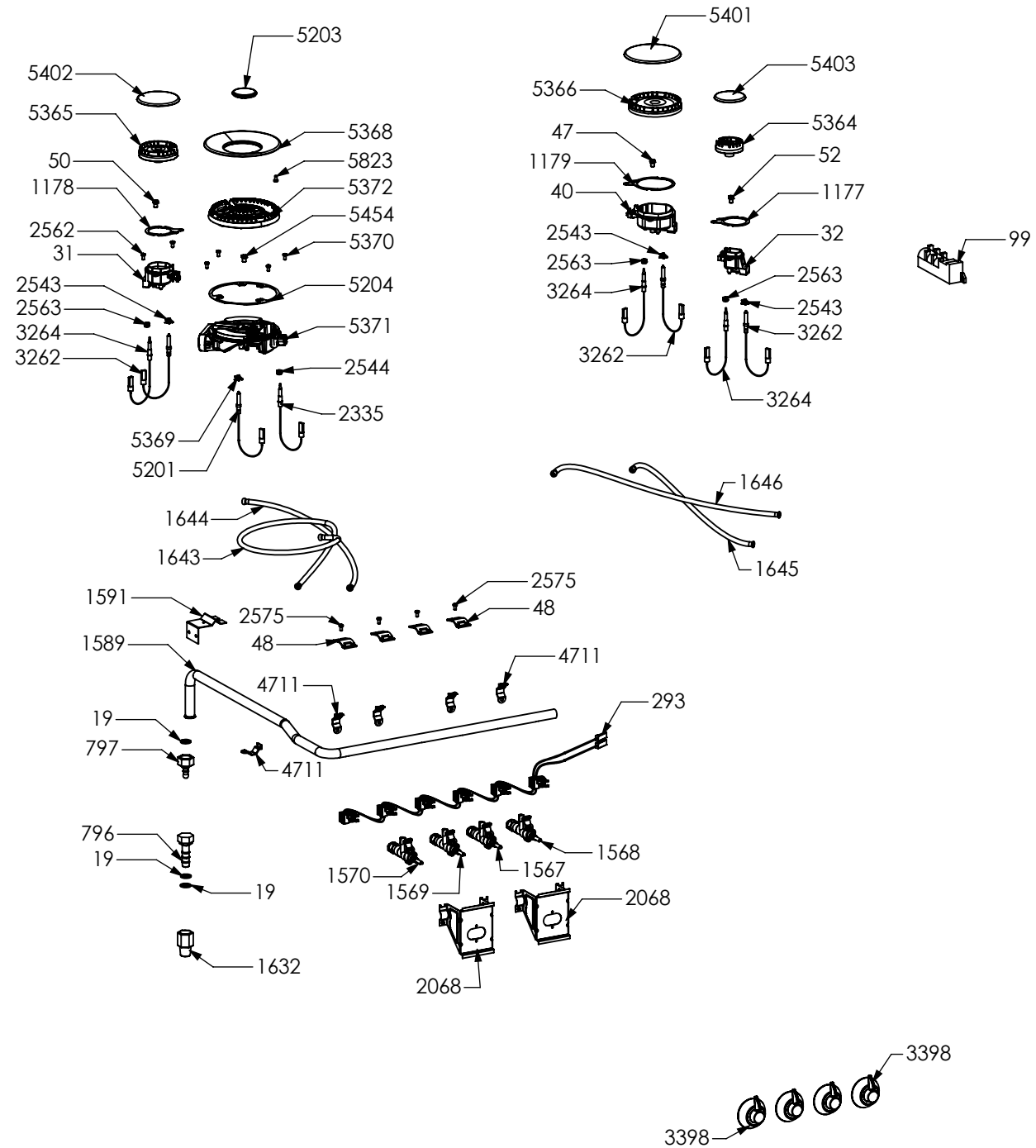
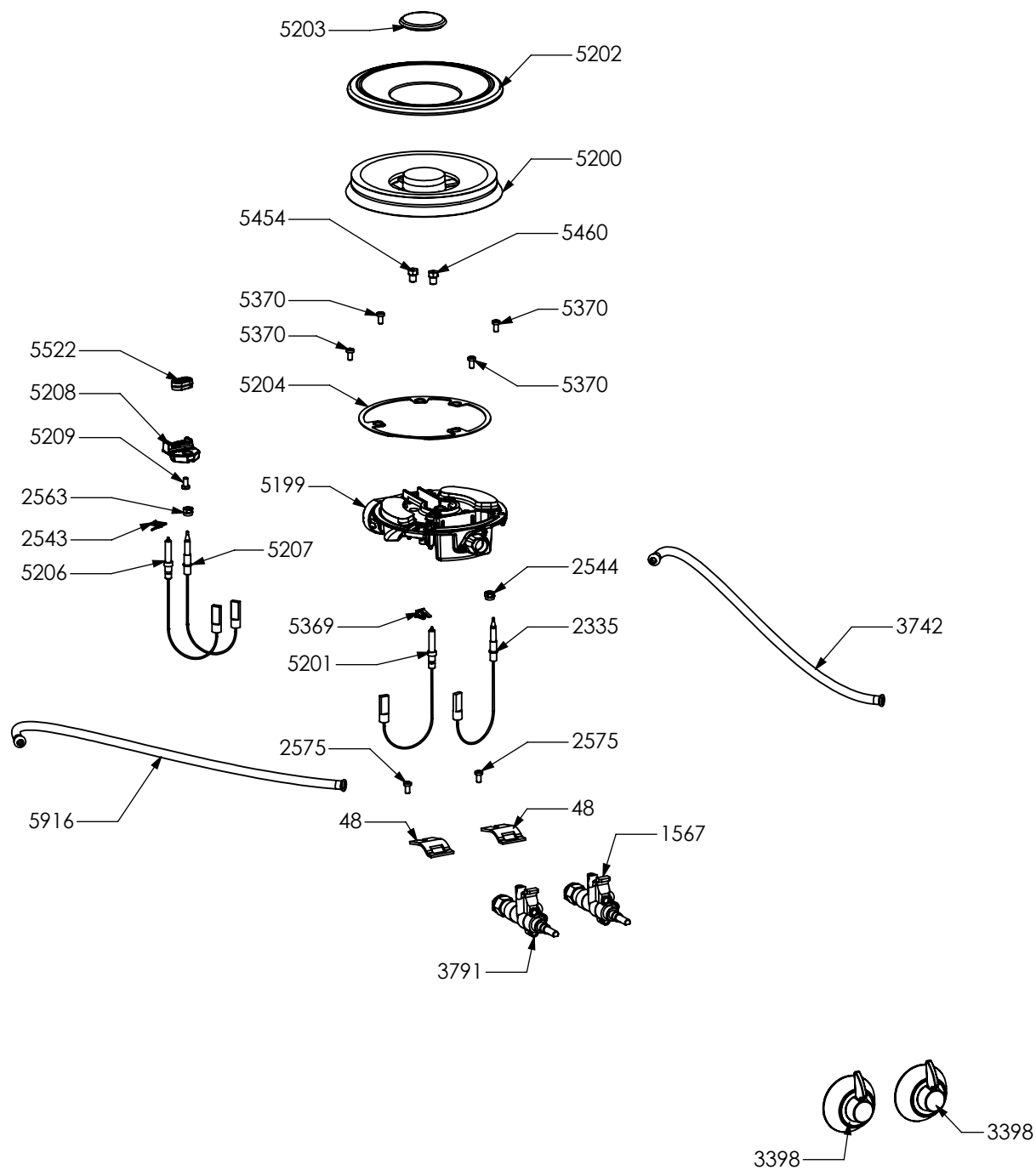


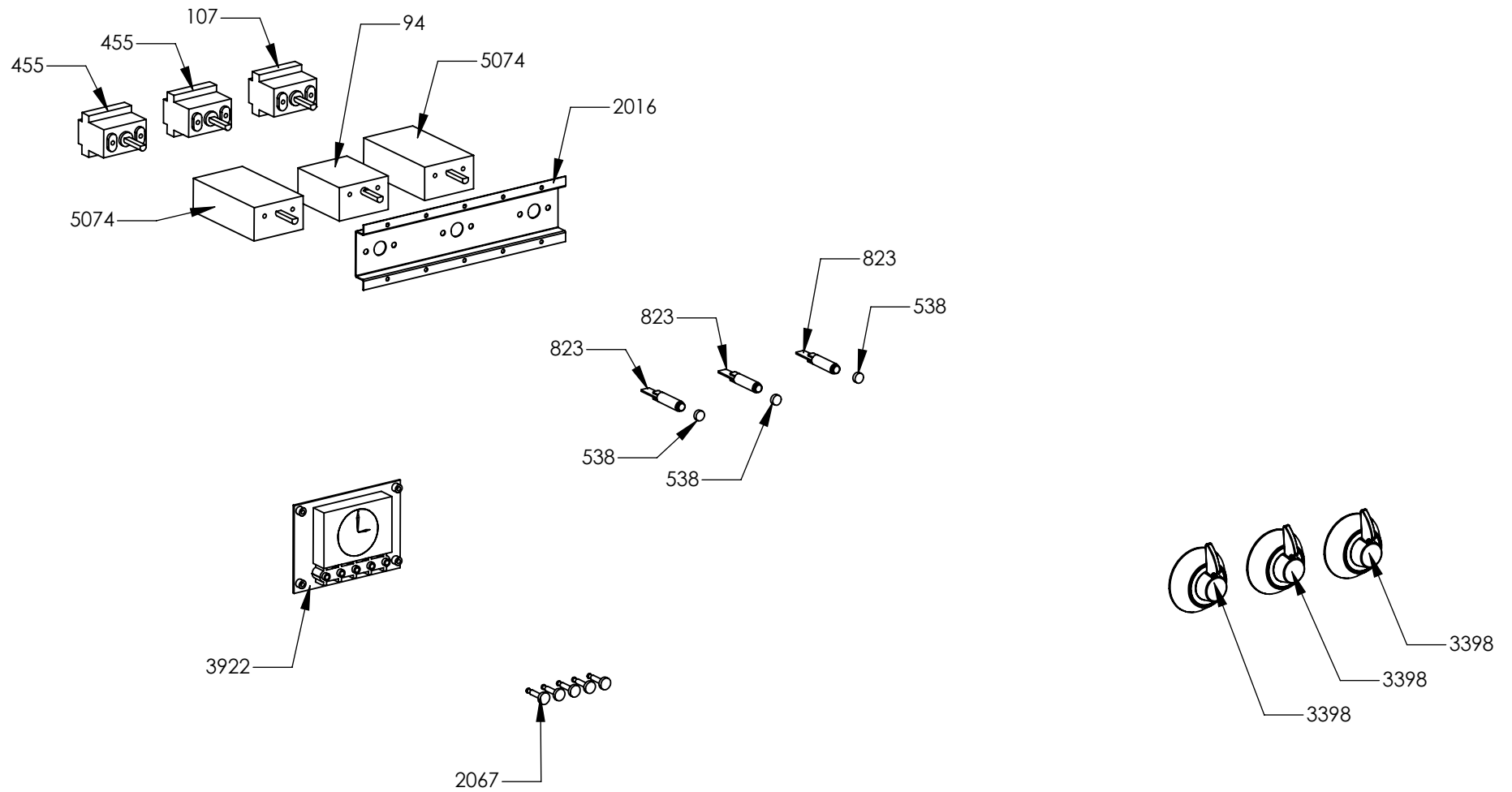
N° Object	Code	Description	Qty
684	ZS1864	Support for lateral cast-iron grid cooktop 100	4
731	ZS0565	Cast-iron grid for wok	1
1014	ZS2026	Thermostat TY60 N.O. fixing B	1
1441	ZS2665	Support for fan timelag device	1
1575	ZS2931	Spacer between glasses	2
1957	ZS3495	Washer 4.3 x 10 x 3	4
2000	ZS3185	Back splash for cooker 100 Ascot	1
2052	ZS3643	Support for internal support control panel 100 Ascot	1
2951	ZS4929	Control panel front 5/6 burners M Ascot 100 TC S.STEEL with serygr.	1
3031	ZS4390	Cast-iron grid 1 burner Ascot 07	1
3032	ZS4391	Cast-iron grid 2 burners Ascot 07	2
3216	ZS4393	Cast-iron grid for lateral cooktop 100 Ascot 07	2
3401	ZS5509	Handle for hob cooker Ascot 100 nickeled	1
5036	ZS7681	Complete upper right side Ascot	1
5037	ZS7682	Complete upper left side Ascot	1
5062	ZS7866	Complete spill tray cooker 100 4 burners, Mega Wok Ascot	1
6154	ZC0334	Profile control panel drawer 100 Ascot internal black	1
6308	ZP0412	Profile control panel drawer 100 Ascot external inox	1



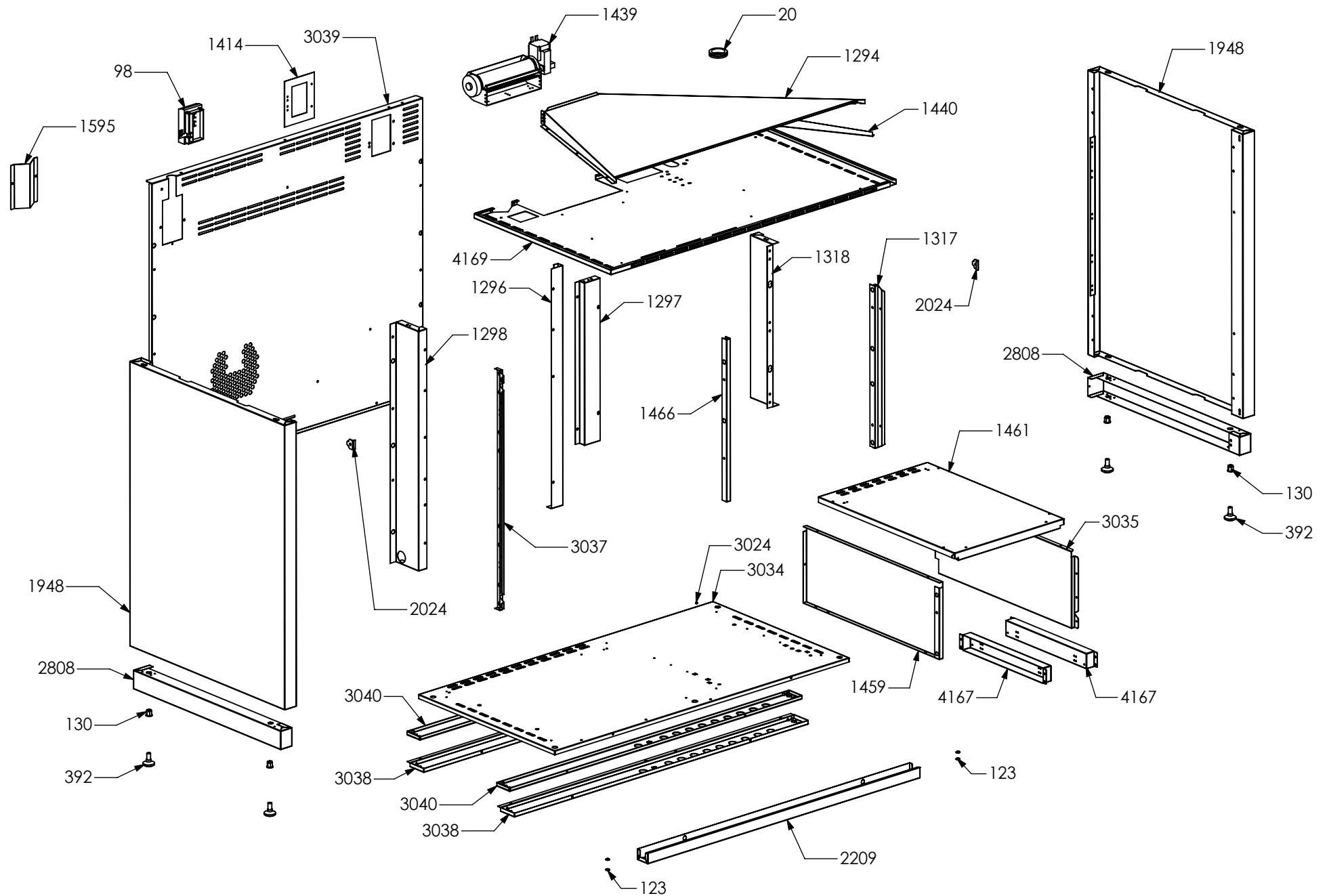
N° Object	Code	Description	Qty	N° Object	Code	Description	Qty
19	400689	Gasket gas inlet	3	2543	601229	Spring fixing spark plug for triple ring P-4	3
31	414121	Semi-rapid burner body G20 0,97	1	2544	ZS4186	Fixing nut for thermocouple burner 4.5	1
32	414123	Auxiliary burner body G20 0,72	1	2562	506037	Screw M3x8 TC s.steel	6
40	414212	Rapid burner body G20 1,15	1	2563	ZS0907	Fixing nut for themocouple	3
47	421312	Rapid burner nozzle G30/31 29/37 mbar 0,85	1	2575	505241	Screw M4	4
48	421323	Gas taps fixing bridle M60	4	3262	ZS5270	Burner spark plug Cast	3
50	423948	Semi-rapid burner nozzle G30/31 0,65	1	3264	ZS5272	Thermocouple Cast L=770	3
52	423951	Auxiliary burner nozzle G30/30 0,50	1	3398	ZS5506	Ascot nickel knob	4
99	481918	Ignition system 6 flames	1	4711	ZS6772	Clamp support for main ramp	5
293	ZS0578	Ignition switches for six burners' cooker	1	5201	ZS8191	Wok burner spark plug sbf DCC M+G INT	1
796	410610	Pipe holder (G20)IT	1	5203	ZS8193	Plate central Wok burner	1
797	410645	Pipe holder (G30)	1	5204	ZS8194	Gasket for wok burner	1
1177	ZS2217	Gasket for auxiliary burner	1	5364	ZS8626	Auxiliary burner flame spreader HE2 BRASS	1
1178	ZS2218	Gasket for semi-rapid burner	1	5365	ZS8628	Semi-rapid burner flame spreader HE2 BRASS	1
1179	ZS2219	Gasket for rapid burner	1	5366	ZS8630	Rapid burner flame spreader HE2 BRASS	1
1567	ZS2923	Valved tap for auxiliary burner (bypass 0,27)	1	5368	ZS8633	Plate Wok burner external	1
1568	ZS2924	Valved tap for rapid/fish-kettle burner	1	5369	ZS8634	Spring fixing spark plug for Wok	1
1569	ZS2925	Valved tap for semi-rapid burner	1	5370	ZS8635	Screw M4 wok burner	4
1570	ZS2926	Valved tap for triple-ring burner	1	5371	ZS8637	Wok burner body G20/20 1,32	1
1589	ZS2932	Ramp 6 burners cooker 090/100 double oven 06	1	5372	ZS8638	Wok burner flame spreader BRASS	1
1591	ZS2934	Rear ramp fixing support cooker 70 / 100 TC / DC	1	5401	ZS8684	Plate rapid burner HE2	1
1632	ZS3021	Adapter female-male 1/2 BSP 04	1	5402	ZS8685	Plate semi-rapid burner HE2	1
1643	ZS3064	Pipe ramp for front left triple ring burner cooker 100 05	1	5403	ZS8686	Plate auxiliary burner HE2	1
1644	ZS3065	Pipe ramp for rear left semi-rapid burner cooker 100 05	1	5454	ZS8831	Mega Wok burner nozzle G30/30 0.94	1
1645	ZS3066	Pipe ramp for front right auxiliary burner cooker 100 05	1	5823	ZS8645	Pins for Wok	1
1646	ZS3067	Pipe ramp for rear right rapid burner cooker 100 05	1				
2068	ZS3791	Ramp fixing support Ascot /XXL	2				
2335	ZS4181	Thermocouple SBF L=750 TC	1				



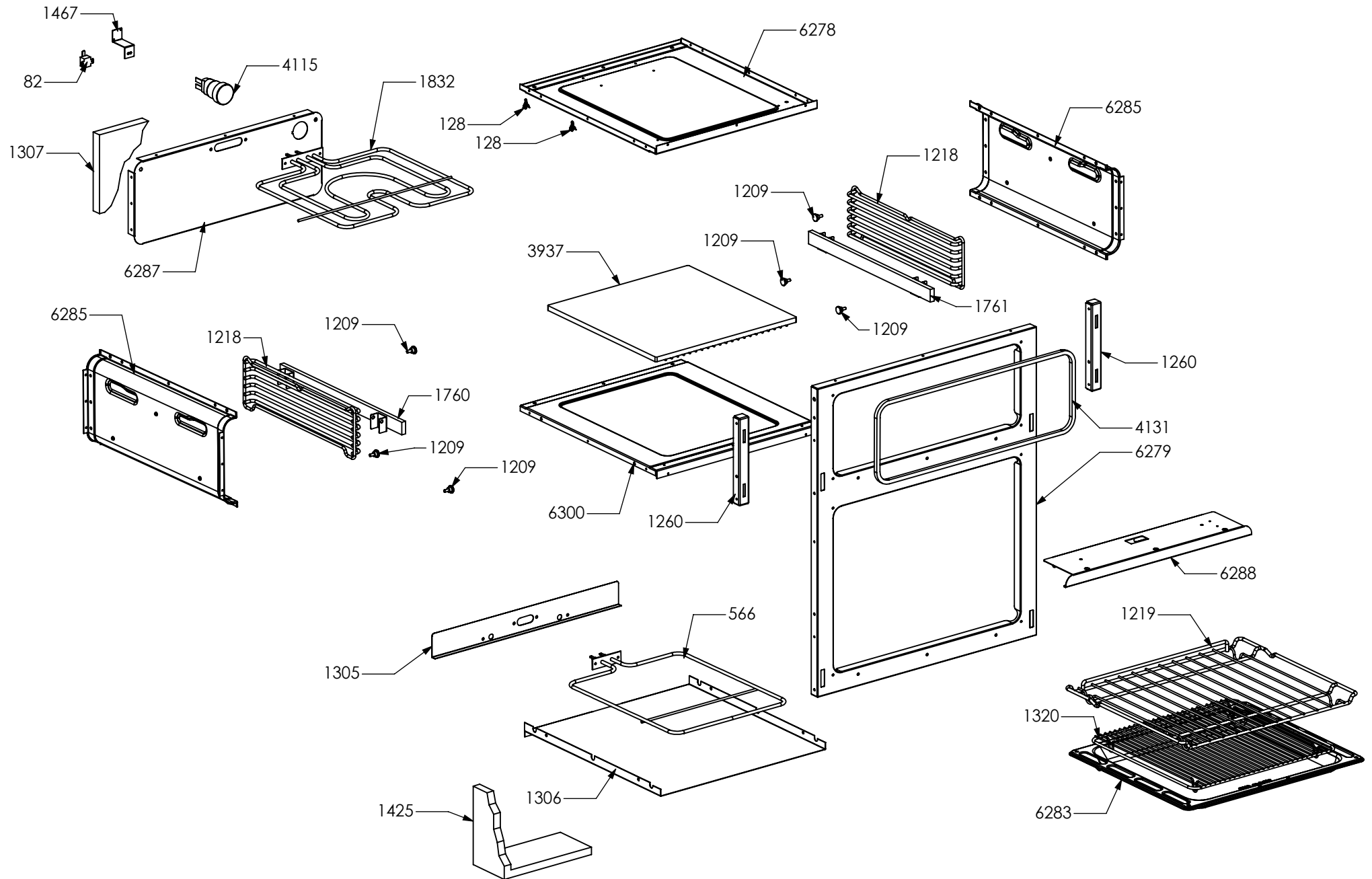
N° Object	Code	Description	Qty
48	421323	Gas taps fixing bridle M60	2
1567	ZS2923	Valved tap for auxiliary burner (bypass 0,27)	1
2335	ZS4181	Thermocouple SBF L=750 TC	1
2543	601229	Spring fixing spark plug for triple ring P-4	1
2544	ZS4186	Fixing nut for thermocouple burner 4.5	1
2563	ZS0907	Fixing nut for themocouple	1
2575	505241	Screw M4	2
3398	ZS5506	Ascot nickel knob	2
3742	ZS4837	Pipe ramp for t.c. 4.5 external burner cooker	1
3791	ZS6109	Valved tap for triple-ring burner	1
5199	ZS8189	Mega Wok burner body G20/20 0,68 1.40	1
5200	ZS8190	Mega Wok burner flame spreader BRASS	1
5201	ZS8191	Wok burner spark plug sbf DCC M+G INT	1
5202	ZS8192	Plate Mega Wok burner external	1
5203	ZS8193	Plate central Wok burner	1
5204	ZS8194	Gasket for wok burner	1
5206	ZS8197	Mega Wok burner spark plug sbf DCC G EXT	1
5207	ZS8198	Thermocouple SBF L=750 DCC	1
5208	ZS8199	Support for thermocouple DCC	1
5209	ZS8200	Screw M3.5x6	1
5369	ZS8634	Spring fixing spark plug for Wok	1
5370	ZS8635	Screw M4 wok burner	4
5454	ZS8831	Mega Wok burner nozzle G30/30 0.94	1
5460	ZS8837	Mega Wok burner nozzle G30/30 0.44	1
5522	ZS8980	Gasket for Mega wok thermocouple support	1
5916	ZA0275	Pipe ramp for t.c. 4.5 central burner cooker DCC 90/120	1



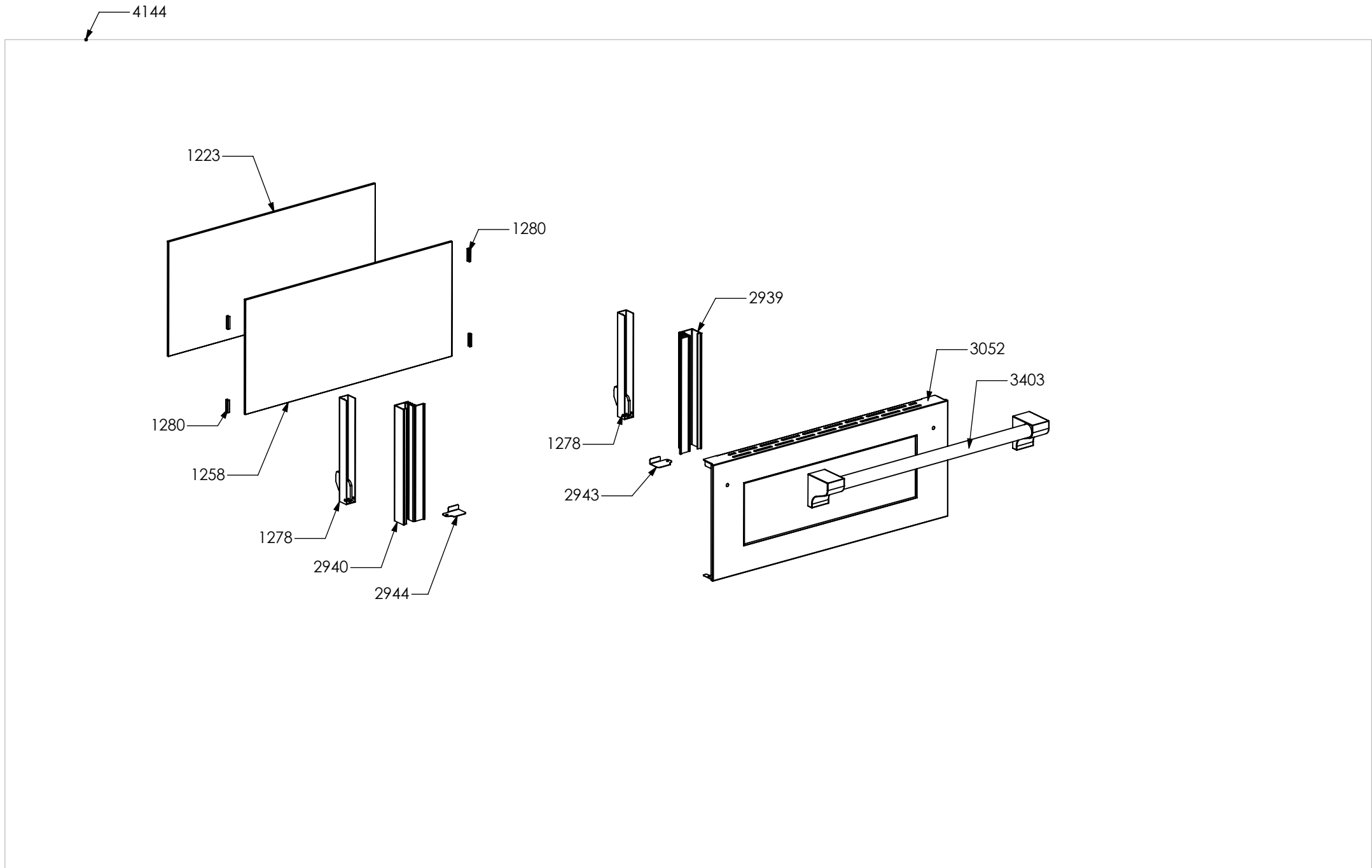
N° Object	Code	Description	Qty
94	481814	Commutator multif. for 90 built-in oven(no pizza)	1
107	482120	Thermostat cooker 192	1
455	ZS1075	Oven thermostat	2
538	ZS1204	Led transparent	3
823	ZS1755	Fluorescent orange warning light	3
2016	ZS3227	Commutator support 3 positions	1
2067	ZS3785	Knob for timer gray	5
3398	ZS5506	Ascot nickel knob	3
3922	ZS6184	Timer (white led) LCD-ELA 1000	1
5074	ZS7893	Commutator oven functions 060 R	2



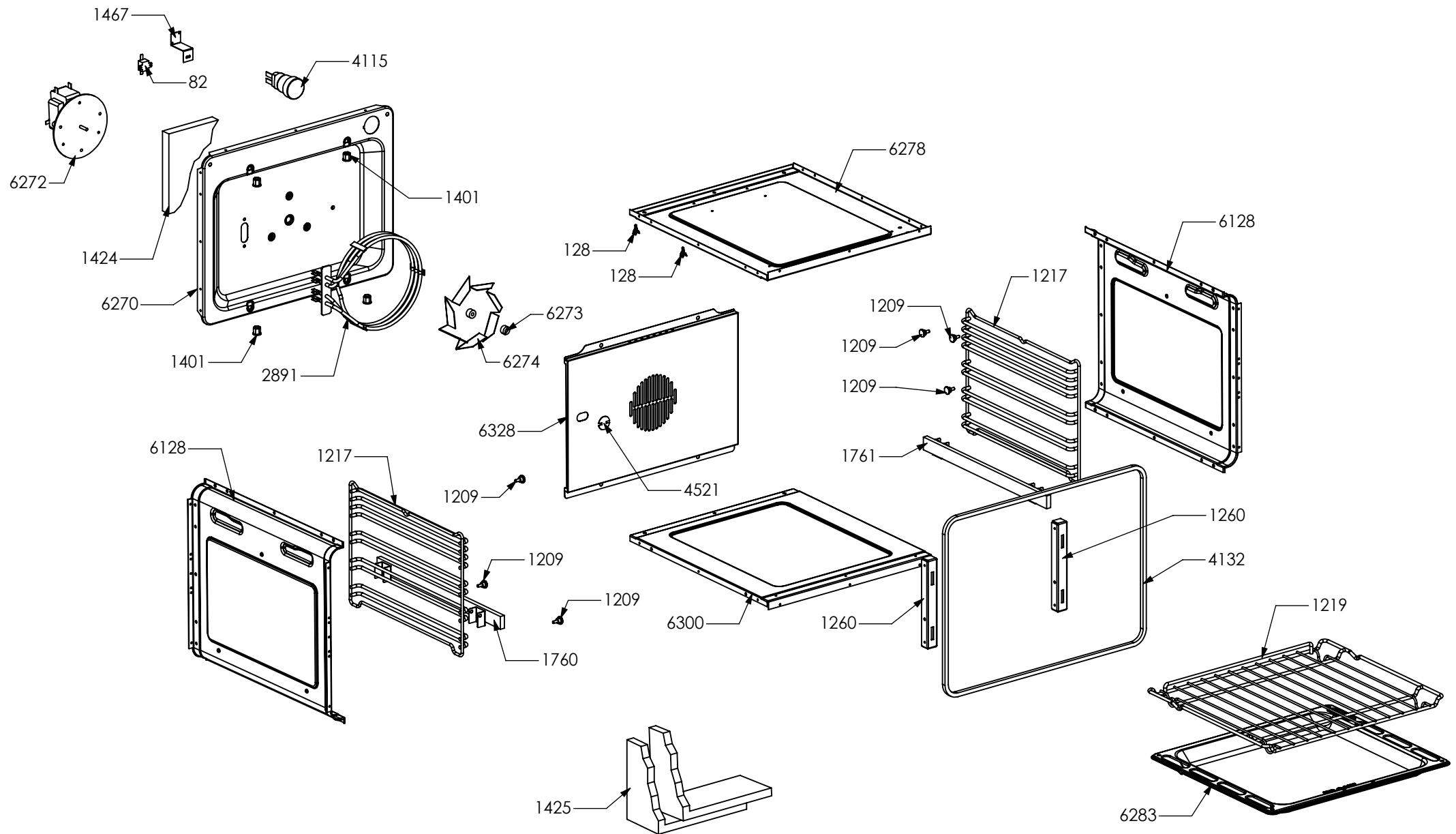
N° Object	Code	Description	Qty	N° Object	Code	Description	Qty
20	401520	Black cap for glass front panel	2	3039	ZS4823	Rear guard for cooker 100 triple oven Ascot	1
98	481913	Terminal block for oven 32 PA 233	1	4167	ZS6684	Spacer for drawer guide	2
123	541011	Spacer washer for built-in oven	4	4169	ZS6686	Muffle fan guard cooker 100 double/Triple oven Steam	1
392	ZS0903	Sintesi black foot H.15	4				
1294	ZS2440	Air conveyor for cooktop 100 DC double oven 04	1				
1296	ZS2442	Rear central support for muffle 60 DC	1				
1297	ZS2443	Rear central support for muffle 30	1				
1298	ZS2444	Rear support for muffle left side oven 60 cooker 100 triple oven	1				
1317	ZS2475	Front support for muffle left/right side 100/120 double/triple oven cooker	1				
1318	ZS2477	Rear support for muffle left/right side cooker 100 double/triple oven	1				
1414	ZS2601	Terminal board support	1				
1439	ZS2663	Cooling fan L=180 Plaset (AU)	1				
1440	ZS2664	Air conveyor separator cooker 100 DC/TC	1				
1459	ZS2446	Left side drawer compartment for cooker 100 triple oven	1				
1461	ZS2448	Drawer upper guard for cooker 100 triple oven	1				
1466	ZS2501	Front central muffle support for cooker 100 triple oven	1				
1595	ZS2938	Ramp hole closing plate	1				
1948	ZS3225	Complete lower right/left side Ascot S.STEEL	2				
2024	ZS3305	Fixing plate for top Ascot	2				
2209	ZS3811	Plinth for cooker 100 triple oven	1				
3024	GR4817	Assembly complete lower guard for cooker 100 triple oven Ascot	1				
130	601156	Tapping screw M10 galvanized	5				
2808	ZS4115	Lower reinforcement for right/left side cooker 70 double oven Ascot	2				
3034	ZS4817	Lower guard for cooker 100 triple cavity 04	1				
3038	ZS4822	Reinforcement for lower guard cooker 100 triple oven external	2				
3040	ZS4826	Reinforcement for lower guard cooker 100 triple oven internal	2				
3035	ZS4818	Right side drawer compartment for cooker 100 triple oven	1				
3037	ZS4821	Front support for muffle left side 100 TC	1				



N° Object	Code	Description	Qty
82	481403	Thermoswitch 16 Ampere	1
128	601152	Spring fixing feeler for built-in oven	2
566	ZS7590	Lower heating element for oven 60 (1200W/230V)	1
1209	414559	Lateral frame support for built-in oven	6
1218	ZS2284	Oven lateral frame 60 R/L	2
1219	ZS2286	Chromed wire grid for oven 60	1
1260	ZS2395	Hinge support 06	2
1305	ZS2456	Lower heating elem.support oven 60 double oven 04	1
1306	ZS2459	Lower heating element tray oven 60 04	1
1307	ZS2460	White glass wool for rear side grilling 60 oven	1
1320	ZS2489	Trivet for oven 60 04	1
1425	ZS2632	White glass wool for 60 oven 04	1
1467	ZS2604	Support for safety thermostat 04	1
1760	ZS3078	Telescopic liner left	1
1761	ZS3079	Telescopic liner right	1
1832	482094	Grill heating element for oven 60 (1900+850W)	1
3937	ZS6339	Ceramic tiles for oven	1
4115	ZS6631	Complete Lamp-holder for oven (max 25 W)	1
4131	ZS6540	Gasket grilling oven 60 P H=8.9 mat HT	1
6278	ZC0349	Enamelled muffle ceiling oven 60 grey	1
6279	ZC0352	Enamelled muffle front side oven 60 DC grey	1
6283	ZC0356	Enamelled drip tray for oven 60 grey	1
6285	ZC0358	Side muffle oven 60 P enamelled grey	2
6287	ZC0362	Muffle rear side oven 60 P enamelled grey	1
6288	ZC0366	Grill heating element support for muffle oven 60 enamelled grey	1
6300	ZC0360	Enamelled muffle bottom for oven 60 grey	1

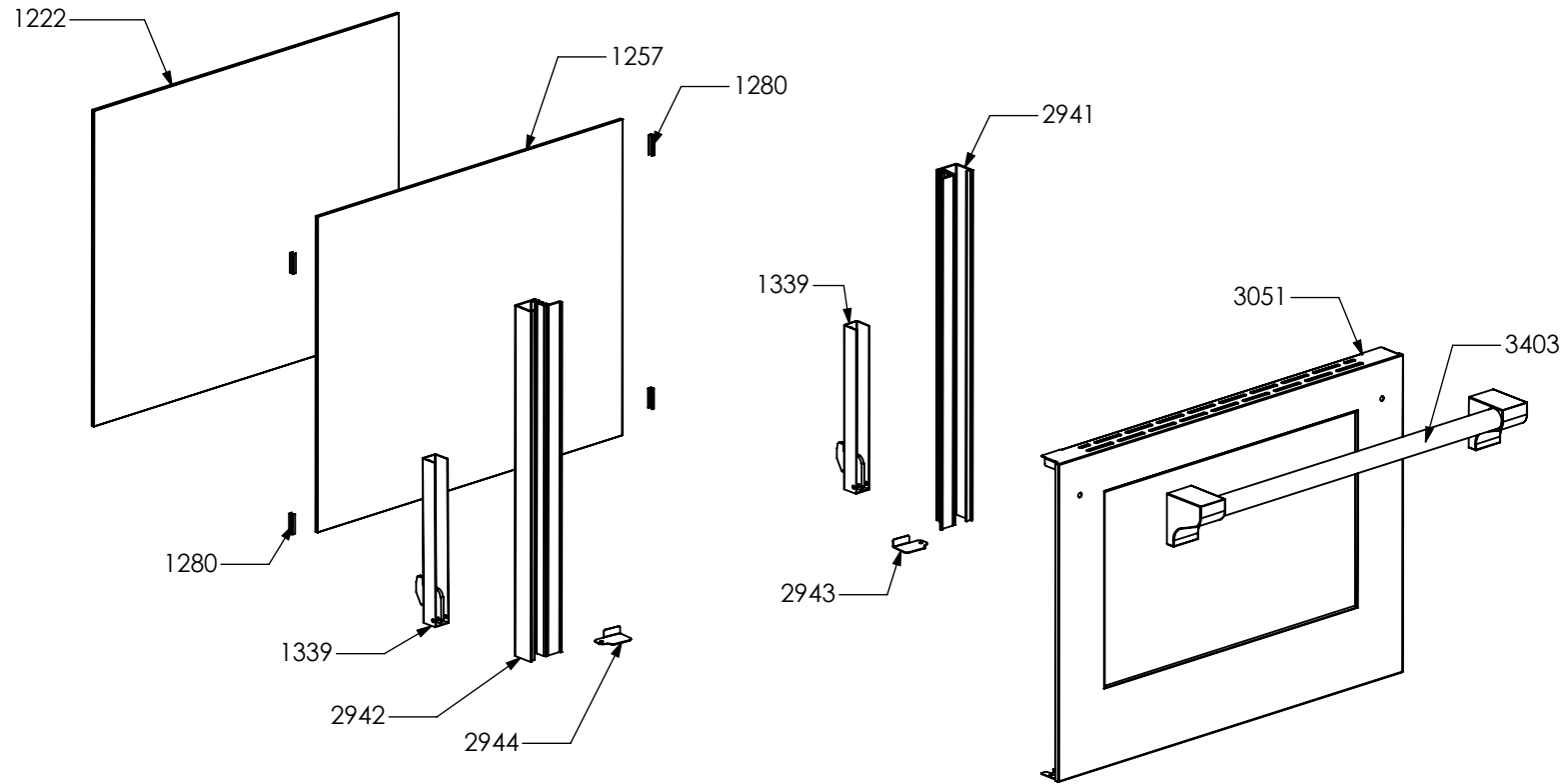


N° Object	Code	Description	Qty
4144	GR6673	Assembly glued oven door 60 P/100 triple oven Ascot	1
2939	GR4315	Assembly door grilling oven 60 right bar profile 07	1
2940	GR4316	Assembly door grilling oven 60 left bar profile 07	1
1223	ZS2310	Inner glass oven door 60 P	1
1258	ZS2392	In-between glass oven door 60 P 04	1
1278	ZS2415	Door hinge for grilling oven 60	2
1280	ZS2419	Spring for door glass assembling 04	4
2943	ZS4746	Right support for inner glass	1
2944	ZS4747	Left support for inner glass	1
3052	ZS5116	Glued external grilling oven door 60/100 triple oven	1
3403	ZS5511	Ascot 70/100 nickel handle for oven door 60	1

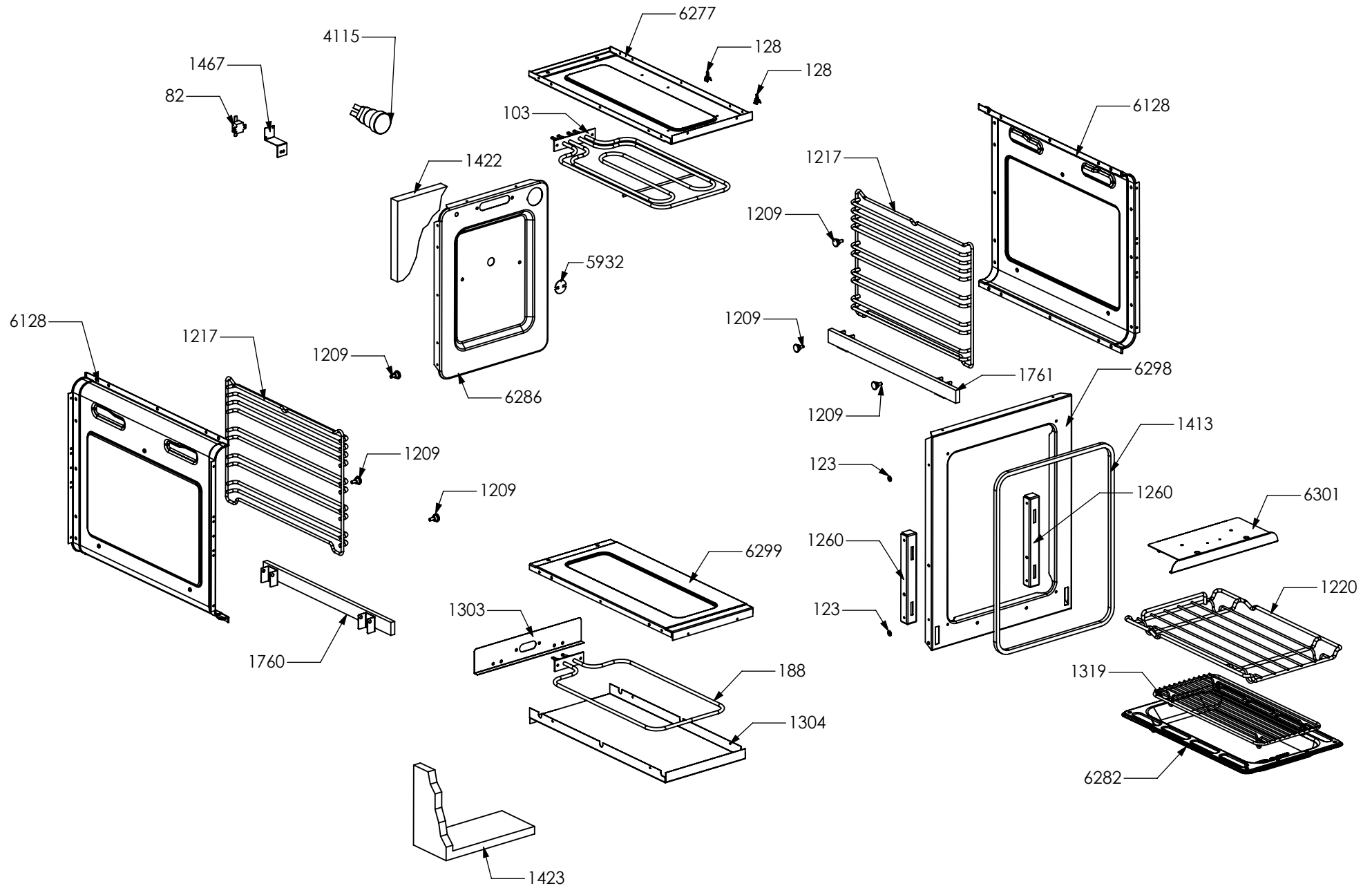


N° Object	Code	Description	Qty
82	481403	Thermoswitch 16 Ampere	1
128	601152	Spring fixing feeler for built-in oven	2
1209	414559	Lateral frame support for built-in oven	6
1217	ZS2283	Oven lateral frame 30/60/90	2
1219	ZS2286	Chromed wire grid for oven 60	1
1260	ZS2395	Hinge support 06	2
1424	ZS2629	White glass wool for rear side 60 oven 04	1
1425	ZS2632	White glass wool for 60 oven 04	2
1467	ZS2604	Support for safety thermostat 04	1
1760	ZS3078	Telescopic liner left	1
1761	ZS3079	Telescopic liner right	1
2891	482589	Circular heating element 230V-2100W	1
4115	ZS6631	Complete Lamp-holder for oven (max 25 W)	1
4132	ZS6541	Gasket oven 60 H=8.9 mat HT	1
4521	ZS7088	Turnspit hole cap	1
6128	ZC0296	Side muffle oven 30/60/90 enamelled 04 grey	2
6270	GP0195	Assembly rear muffle oven 60/100 TC enamelled grey	1
1401	ZS2585	Tapping screw M5 aluminium	4
6272	ZA0488	Circular tangential oven 90 fan without fan and nut	1
6273	ZA0489	Nut for circular tangential oven	1
6274	ZA0490	Fan for circular tangential oven	1
6278	ZC0349	Enamelled muffle ceiling oven 60 grey	1
6283	ZC0356	Enamelled drip tray for oven 60 grey	1
6300	ZC0360	Enamelled muffle bottom for oven 60 grey	1
6328	ZC0350	Fan cover for oven 60 with turnspit hole grey	1

4143

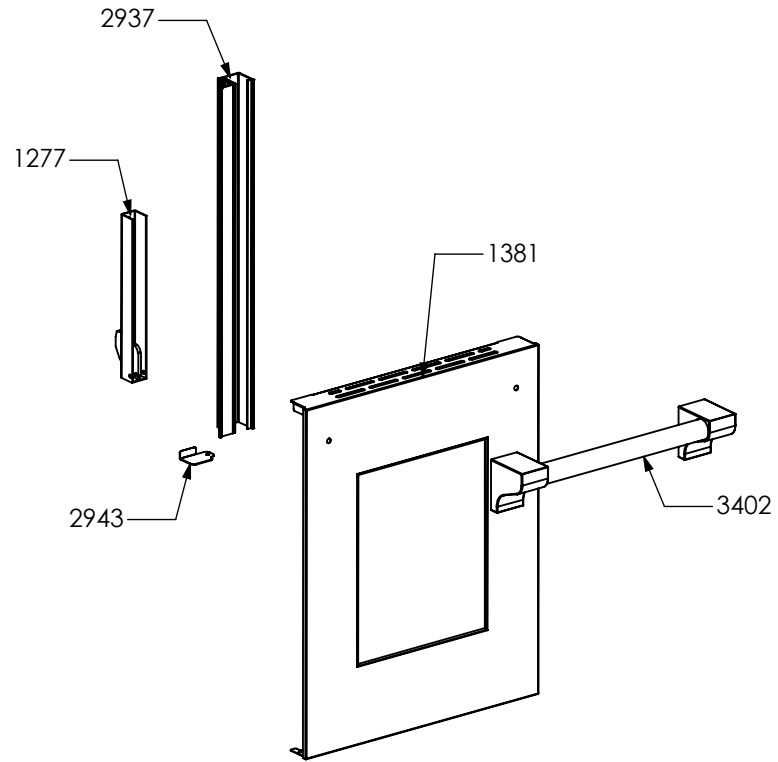
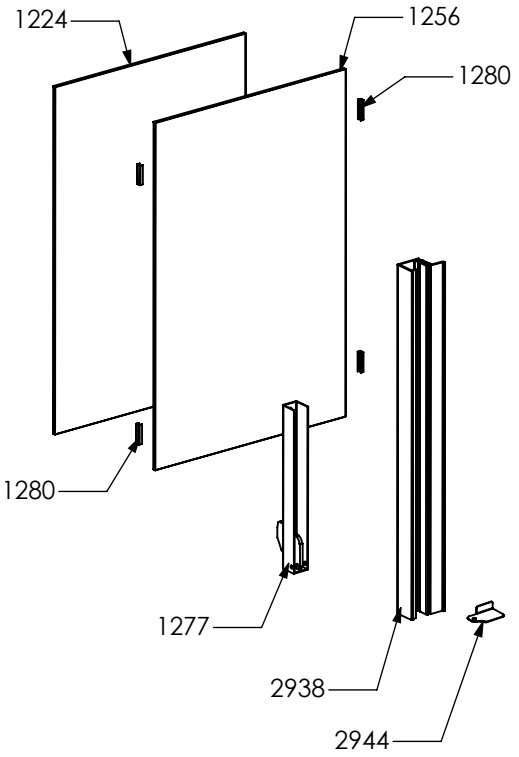


N° Object	Code	Description	Qty
4143	GR6672	Assembly glued oven door 60 G/100 triple oven Ascot	1
2941	GR4317	Assembly door 60 right bar profile 07	1
2942	GR4318	Assembly door 60 left bar profile 07	1
1222	ZS2309	Inner glass oven door 60 G	1
1257	ZS2391	In-between glass oven door 60 G 04	1
1339	ZS2416	Door hinge for multifunction oven 60	2
1280	ZS2419	Spring for door glass assembling 04	4
2943	ZS4746	Right support for inner glass	1
2944	ZS4747	Left support for inner glass	1
3051	ZS5115	Glued external oven door 60 G/100 triple oven	1
3403	ZS5511	Ascot 70/100 nickel handle for oven door 60	1

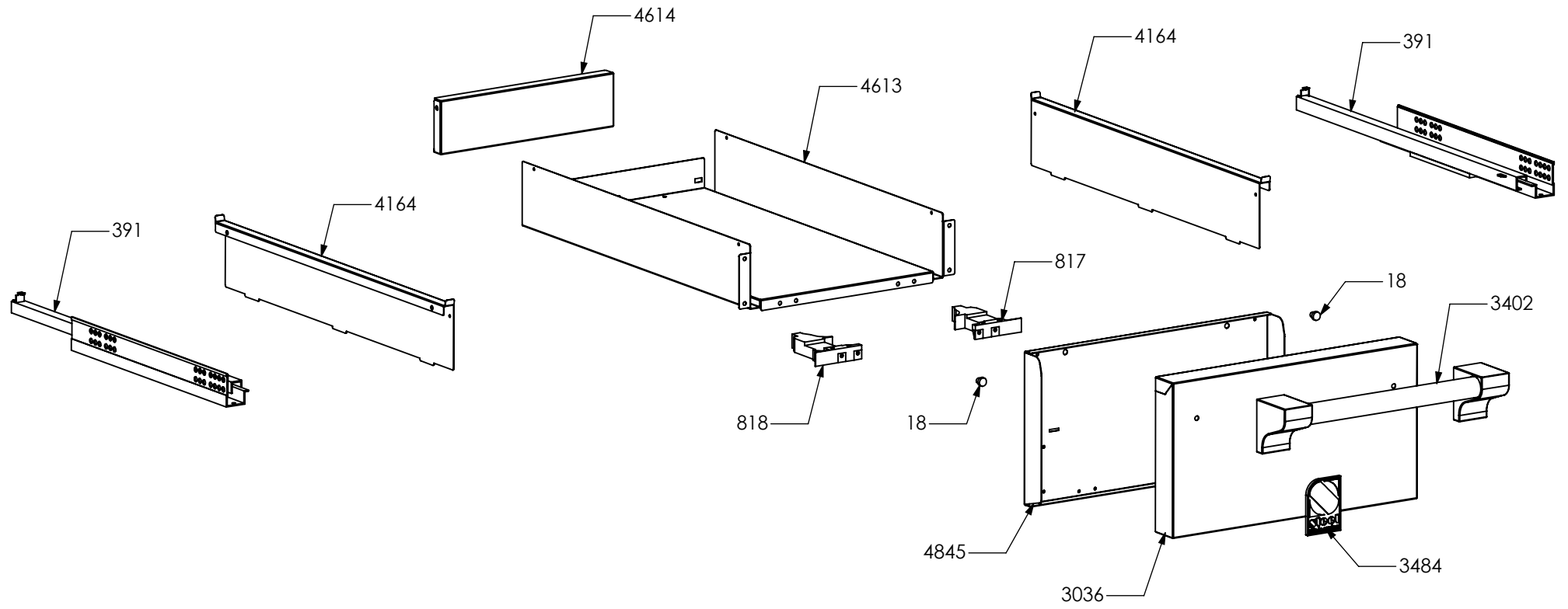


N° Object	Code	Description	Qty	N° Object	Code	Description	Qty
82	481403	Thermoswitch 16 Ampere	1				
103	482072	Upper heating element cooker	1				
123	541011	Spacer washer for built-in oven	2				
128	601152	Spring fixing feeler for built-in oven	2				
188	ZS7653	Lower heating element for oven 30	1				
1209	414559	Lateral frame support for built-in oven	6				
1217	ZS2283	Oven lateral frame 30/60/90	2				
1220	ZS2287	Chromed wire grid for oven 30	1				
1260	ZS2395	Hinge support 06	2				
1303	ZS2454	Lower heating elem.support oven 30 04	1				
1304	ZS2455	Lower heating element tray oven 30 04	1				
1319	ZS2488	Trivet for oven 30 04	1				
1413	ZS2599	Gasket oven 30 04	1				
1422	ZS2627	White glass wool for rear side 30 oven 04	1				
1423	ZS2628	White glass wool for 30 oven 04	1				
1467	ZS2604	Support for safety thermostat 04	1				
1760	ZS3078	Telescopic liner left	1				
1761	ZS3079	Telescopic liner right	1				
4115	ZS6631	Complete Lamp-holder for oven (max 25 W)	1				
5932	ZP0119	Turnspit hole cap	1				
6128	ZC0296	Side muffle oven 30/60/90 enamelled 04 grey	2				
6277	ZC0348	Enamelled muffle ceiling oven 30 grey	1				
6282	ZC0355	Enamelled drip tray for oven 30 grey	1				
6286	ZC0361	Muffle rear side oven 30 enamelled grey	1				
6298	ZC0351	Enamelled muffle front side oven 30 grey	1				
6299	ZC0359	Enamelled muffle bottom for oven 30 grey	1				
6301	ZC0365	Grill heating element support for muffle oven 30 enamelled grey	1				

3854



N° Object	Code	Description	Qty
3854	GR6242	Assembly glued oven door 30 s.steel Ascot	1
2937	GR4313	Assembly door 30/60/90 right bar profile 07	1
2938	GR4314	Assembly door 30/60/90 left bar profile 07	1
1224	ZS2311	Inner glass oven door 30	1
1256	ZS2390	In-between glass oven door 30 04	1
1277	ZS2414	Door hinge for oven 60 G	2
1280	ZS2419	Spring for door glass assembling 04	4
1381	ZS2546	Glued external oven door 30 KL	1
2943	ZS4746	Right support for inner glass	1
2944	ZS4747	Left support for inner glass	1
3402	ZS5510	Handle for oven door 30 Ascot 100/120 nickeled	1



N° Object	Code	Description	Qty
18	400006	Protection door	2
391	ZS0899	Couple legobox rails partial opening	1
817	ZS0458	Drawer right regulation clip	1
818	ZS0459	Drawer left regulation clip	1
3036	ZS4819	Drawer door cooker 100 triple oven 04	1
3402	ZS5510	Handle for oven door 30 Ascot 100/120 nickeled	1
3484	ZS5647	"Steel - Stile in cucina" plate	1
4164	ZS6681	Drawer lateral side for cooker S.Steel	2
4613	ZS6837	Bottom drawer for cooker 100 triple oven S.Steel	1
4614	ZS6838	Drawer rear side for cooker 100 triple oven S.Steel	1
4845	ZS7531	Counterdoor drawer cooker 100 TC pull	1

N° Object	Code	Description	Qty
132	ZS5148	Adhesive tape 16,5 m x 19h (3M)	80
725	601108	Anti-overturning device	0,3
1442	ZS2678	Wiring diagram for cooker S10FFF-6W	1
2296	ZS2666	Wiring commutators L=20 cm	4
2307	ZS3763	Wiring leds Party	1
2430	ZS2996	Wire protection d.3,5 vetrotex white	0,8
5050	ZS7813	Instruction booklet Top/Cooker Multilanguage	1