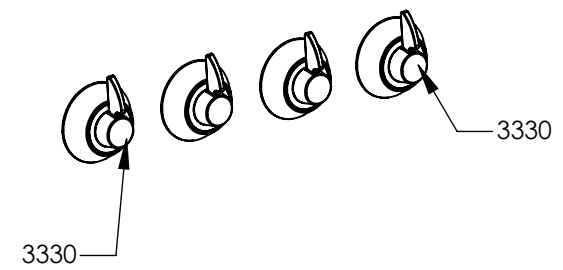
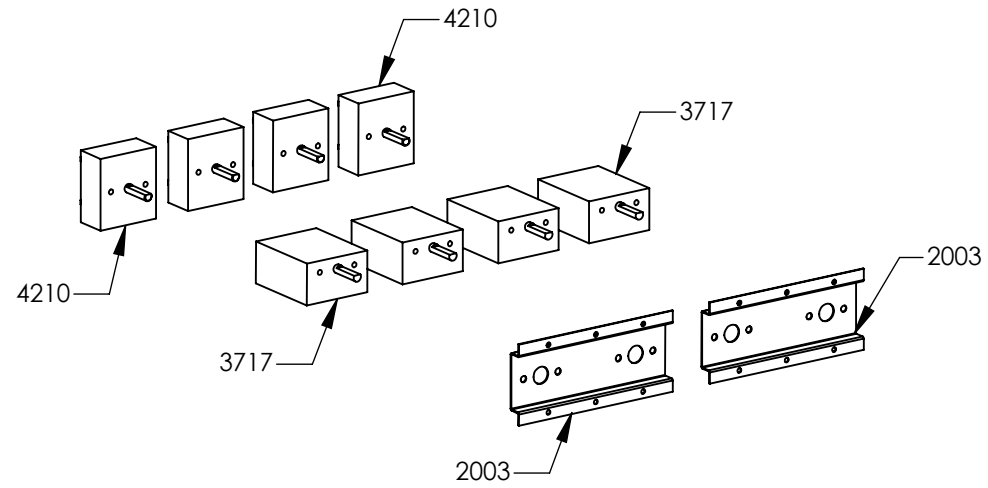
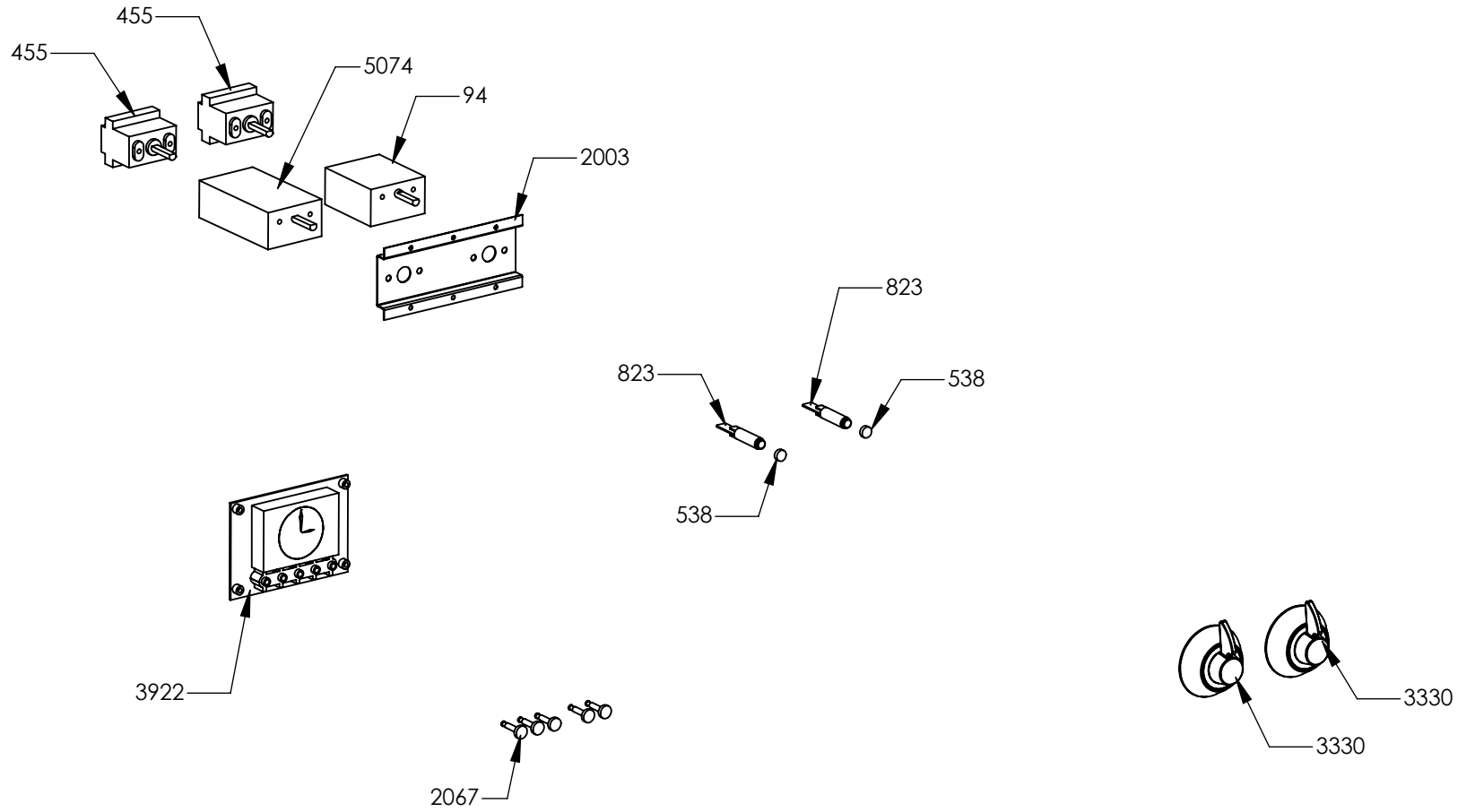


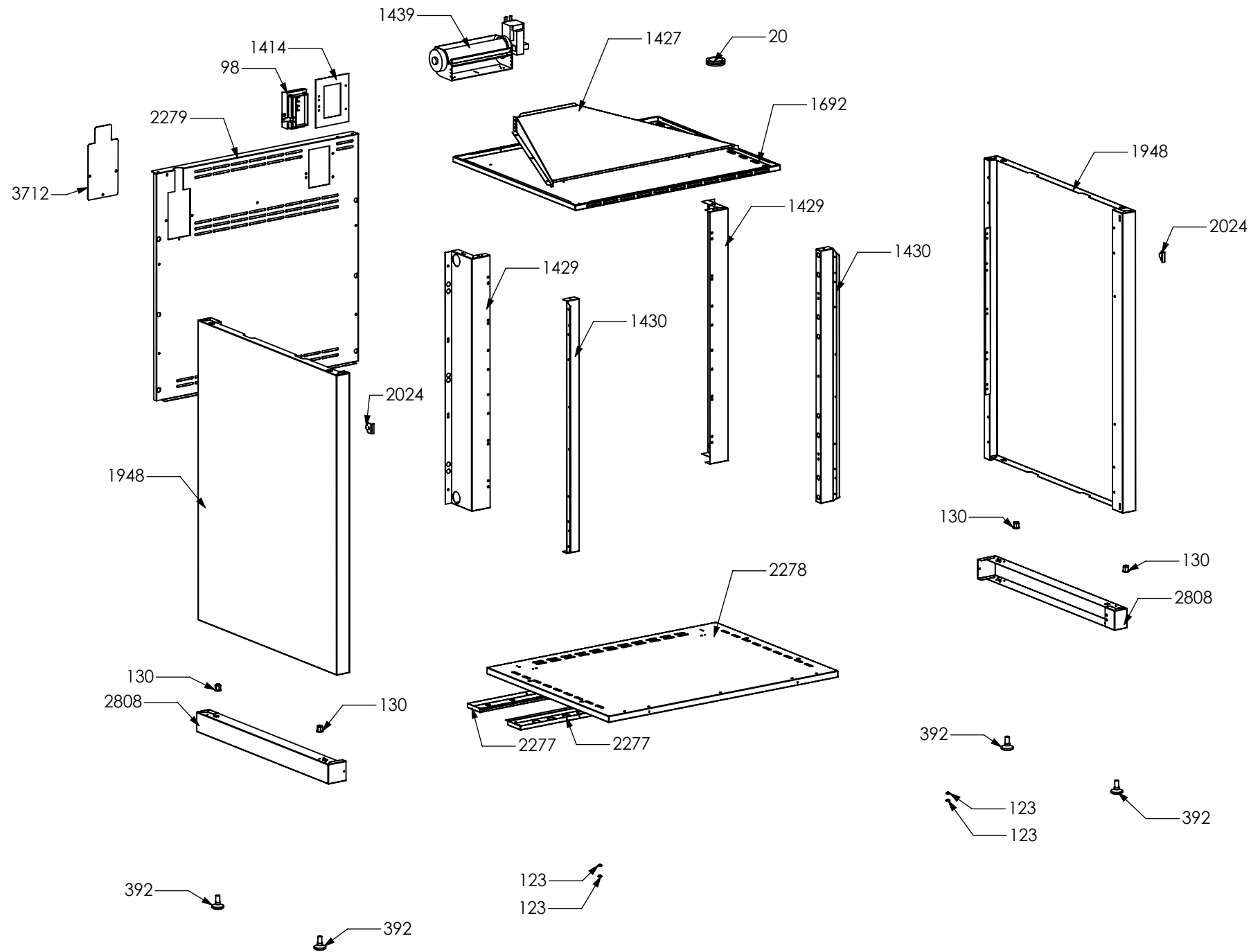
N° Object	Code	Description	Qty
1014	ZS2026	Termostat TY60 N.O. fixing B	1
1441	ZS2665	Support for fan timelag device	1
1575	ZS2931	Spacer between glasses	2
1606	ZS2995	Fixing spring for front profile	10
2018	ZS3230	Back splash for cooker 70 Ascot	1
2042	ZS3565	Profile control panel drawer 70 Ascot chromed	1
2051	ZS3642	Support for internal support control panel 70 Ascot	1
4266	ZS6787	Encoders control board	1
4538	ZS7118	Clamp support for induction 70 Sintesi front	1
4671	GR7355	Assembly cooktop cooker 70 induction Ascot	1
1957	ZS3495	Washer 4.3 x 10 x 3	4
4710	ZS6299	Glass for 70 induction cooker	1
5038	ZS7683	Complete upper right side Ascot VTRC/IND	1
5039	ZS7684	Complete upper left side Ascot VTRC/IND	1
4714	ZS6821	Support for electronic control induction element	1
4717	ZS7124	Clamp support for induction 70 Sintesi rear	1
4725	ZS7250	Induction 4 element EGO	1
4796	ZS7519	Control panel front 4 induction Ascot 70 S.STEEL with serygr.	1
5188	ZS8172	Handle for hob cooker Ascot 70 chromed terminal nickel	1
5783	ZS6817	Feet for electronic components EGO	3
5784	ZS6904	Cover for induction terminal board	1
5785	ZS6905	Bridge for induction terminal board	1



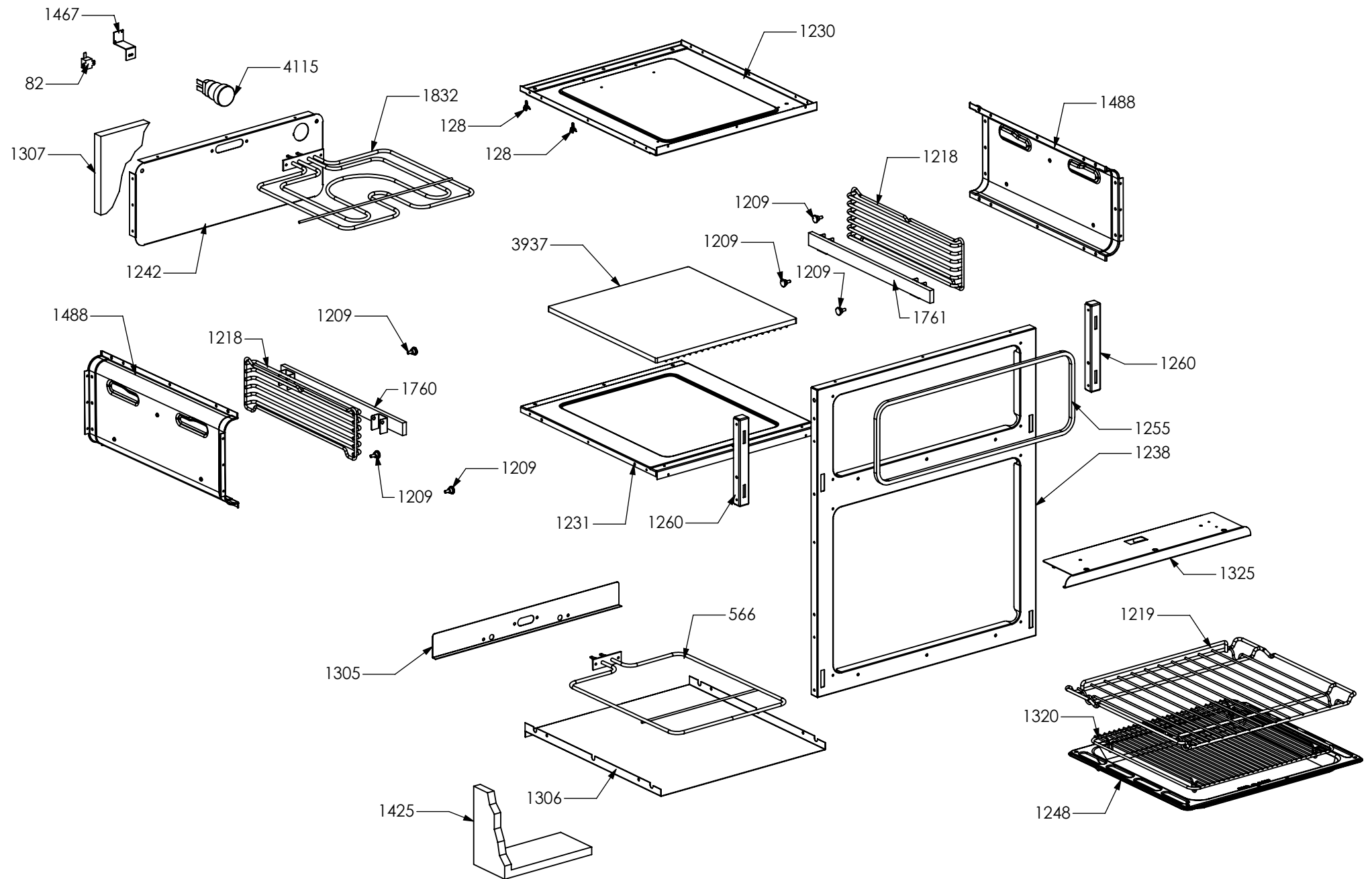
N° Object	Code	Description	Qty
2003	ZS3195	Commutator support 2 positions	2
3330	ZS5412	Ascot chromed knob	4
3717	ZS6026	Switch for induction encoder	4
4210	ZS5377	Energy regulator for induction 230 V EGO EU	4



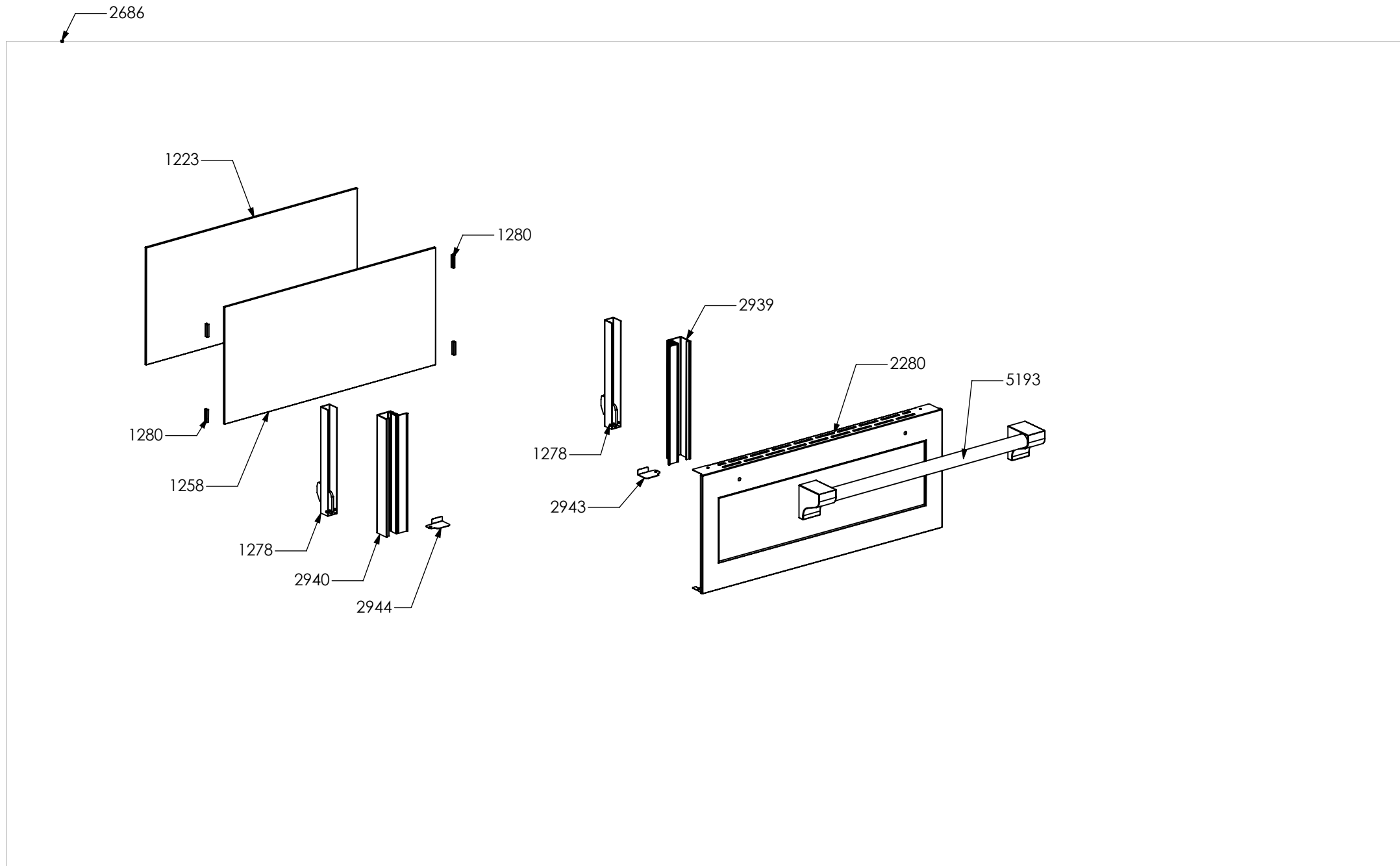
N° Object	Code	Description	Qty
94	481814	Commutator multif. for 90 built-in oven(no pizza)	1
455	ZS1075	Oven thermostat	2
538	ZS1204	Led transparent	2
823	ZS1755	Fluorescent orange warning light	2
2003	ZS3195	Commutator support 2 positions	1
2067	ZS3785	Knob for timer gray	5
3330	ZS5412	Ascot chromed knob	2
3922	ZS6184	Timer (white led) LCD-ELA 1000	1
5074	ZS7893	Commutator oven functions 060 R	1



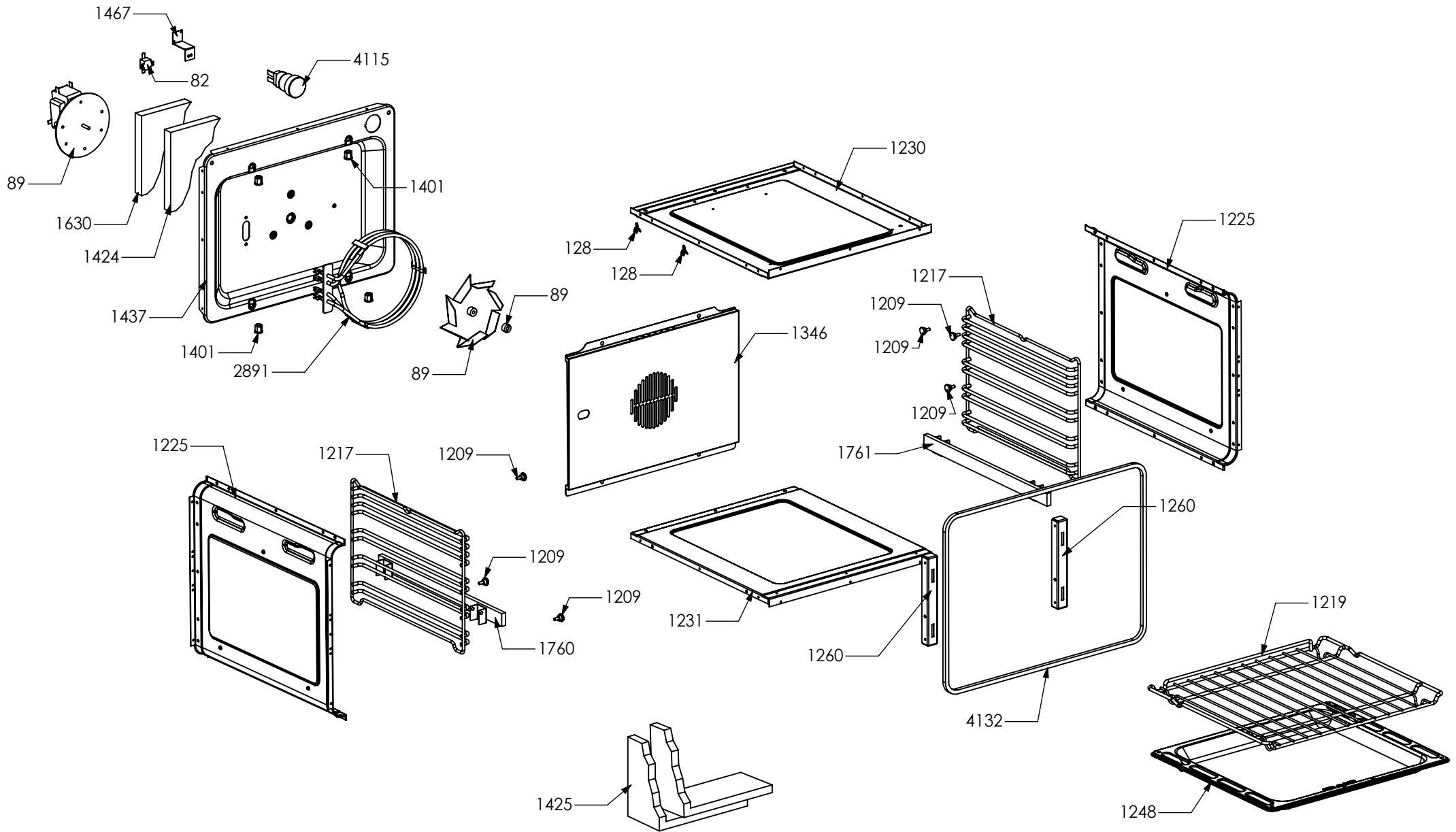
N° Object	Code	Description	Qty
20	401520	Black cap for glass front panel	1
98	481913	Terminal board for oven 32 PA 233	1
123	541011	Spacer washer for built-in oven	4
392	ZS0903	Sintesi black foot H.15	4
1414	ZS2601	Terminal board support	1
1427	ZS2634	Air conveyor for cooktop 070/070 double oven	1
1429	ZS2636	Rear support for muffle left/right side 070 double oven	2
1430	ZS2637	Front support for muffle left/right side 070 double oven	2
1439	ZS2663	Cooling fan L=180 Plaset (AU)	1
1692	ZS3053	Muffle fan guard cooker 070/070 double oven	1
1948	ZS3225	Complete lower right/left side Ascot S.STEEL	2
2024	ZS3305	Fixing plate for top Ascot	2
2278	GR4099	Assembly complete lower guard for cooker 070 double oven Ascot	1
130	601156	Tapping screw M10 galvanized	4
2277	ZS4098	Reinforcement for lower guard Ascot cooker 070 double oven	2
2808	ZS4115	Lower reinforcement for right/left side cooker 70 double oven Ascot	2
2279	ZS4114	Rear guard for cooker 70 DC Ascot	1
3712	ZS5978	Ramp hole closing plate	1



N° Object	Code	Description	Qty
82	481403	Thermoswitch 16 Ampere	1
128	601152	Spring fixing feeler for built-in oven	2
566	ZS7590	Lower heating element for oven 60 (1200W/230V)	1
1209	414559	Lateral frame support for built-in oven	6
1218	ZS2284	Oven lateral frame 60 R/L	2
1219	ZS2286	Chromed wire grid for oven 60	1
1230	ZS2322	Enamelled muffle ceiling oven 60	1
1231	ZS2324	Enamelled muffle bottom for oven 60	1
1238	ZS2338	Enamelled muffle front side oven 60 DC	1
1242	ZS2344	Muffle rear side oven 60 P enamelled 04	1
1248	ZS2364	Enamelled drip tray for oven 60	1
1255	ZS2389	Gasket grilling oven 60 P	1
1260	ZS2395	Hinge support 06	2
1305	ZS2456	Lower heating elem.support oven 60 double oven 04	1
1306	ZS2459	Lower heating element tray oven 60 04	1
1307	ZS2460	White glass wool for rear side grilling 60 oven	1
1320	ZS2489	Trivet for oven 60 04	1
1325	ZS2496	Grill heating element support for muffle oven 60 enamelled 04	1
1425	ZS2632	White glass wool for 60 oven 04	1
1467	ZS2604	Support for safety thermostat 04	1
1488	ZS2821	Side muffle oven 60 P black self-cleaning enamelled 04	2
1760	ZS3078	Telescopic liner left	1
1761	ZS3079	Telescopic liner right	1
1832	482094	Grill heating element for oven 60 (1900+850W)	1
3937	ZS6339	Ceramic tiles for oven	1
4115	ZS6631	Complete Lamp-holder for oven (max 25 W)	1

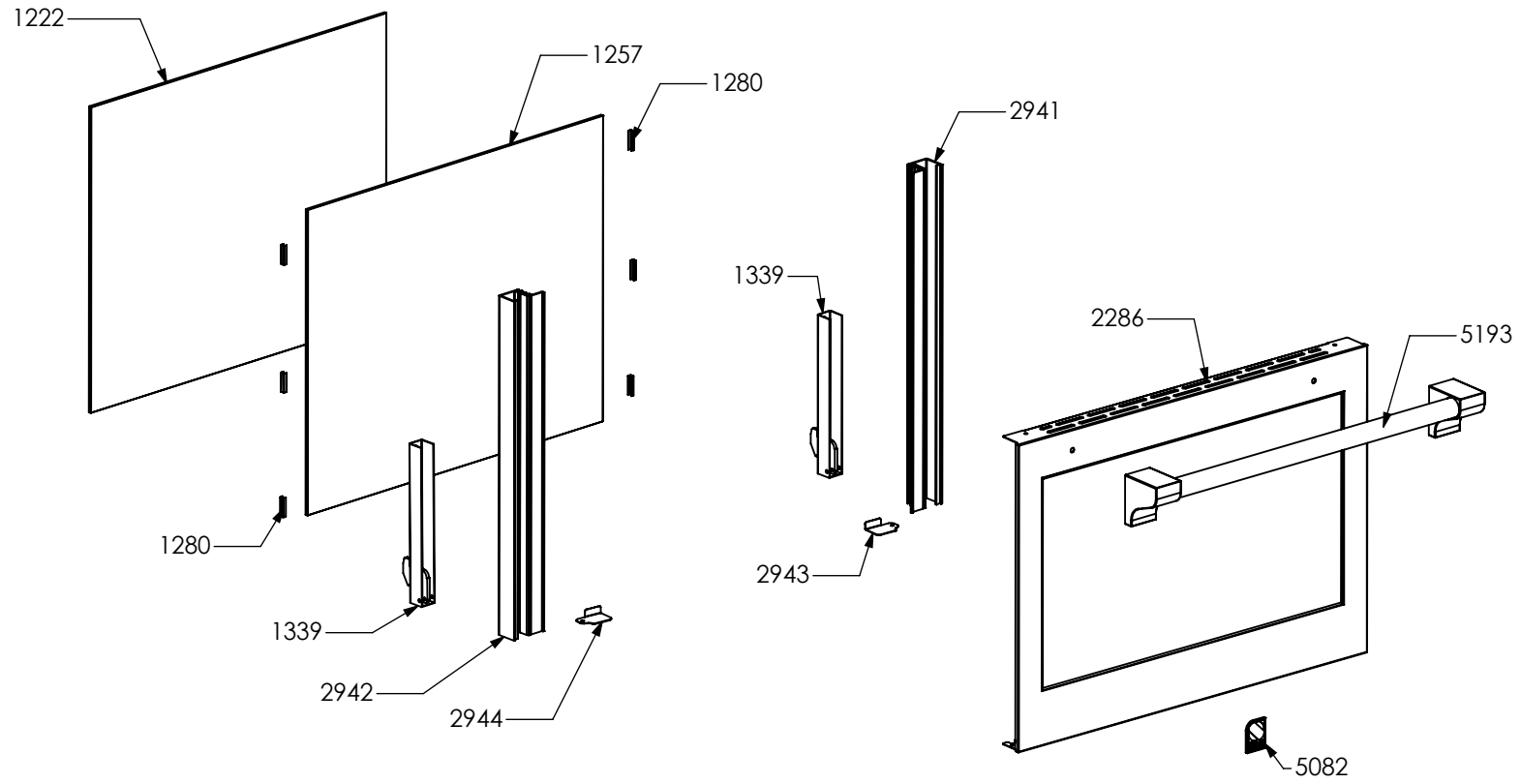


N° Object	Code	Description	Qty
2686	GR4116	Assembly glued oven door 60 P/070 double oven Ascot	1
2939	GR4315	Assembly door grilling oven 60 right bar profile 07	1
2940	GR4316	Assembly door grilling oven 60 left bar profile 07	1
1223	ZS2310	Inner glass oven door 60 P	1
1258	ZS2392	In-between glass oven door 60 P 04	1
1278	ZS2415	Door hinge for grilling oven 60	2
1280	ZS2419	Spring for door glass assembling 04	4
2280	ZS4116	Glued external grilling oven door 60/070 double oven Ascot	1
2943	ZS4746	Right support for inner glass	1
2944	ZS4747	Left support for inner glass	1
5193	ZS8177	Handle for oven door 60 Ascot 70/100 chromed terminal nickel	1



N° Object	Code	Description	Qty
82	481403	Thermoswitch 16 Ampere	1
89	481727	Circular tangential oven 90 fan (AU) with fan and nut	1
128	601152	Spring fixing feeler for built-in oven	2
1209	414559	Lateral frame support for built-in oven	6
1217	ZS2283	Oven lateral frame 30/60/90	2
1219	ZS2286	Chromed wire grid for oven 60	1
1225	ZS2312	Side muffle oven 30/60/90 enamelled 04	2
1230	ZS2322	Enamelled muffle ceiling oven 60	1
1231	ZS2324	Enamelled muffle bottom for oven 60	1
1248	ZS2364	Enamelled drip tray for oven 60	1
1260	ZS2395	Hinge support 06	2
1346	ZS2484	Fan cover for oven 60 with turnspit hole BLACK	1
1424	ZS2629	White glass wool for rear side 60 oven 04	1
1425	ZS2632	White glass wool for 60 oven 04	2
1437	GR2660	Assembly rear muffle oven 60/100 TC enamelled 04	1
1401	ZS2585	Tapping screw M5 aluminium	4
1467	ZS2604	Support for safety thermostat 04	1
1630	ZS3048	White glass wool for rear side 60 oven	1
1760	ZS3078	Telescopic liner left	1
1761	ZS3079	Telescopic liner right	1
2891	482589	Circular heating element 230V-2100W	1
4115	ZS6631	Complete Lamp-holder for oven (max 25 W)	1
4132	ZS6541	Gasket oven 60 H=8.9 mat HT	1

2692



N° Object	Code	Description	Qty
2692	GR4122	Assembly glued oven door 60 G/070 double oven Ascot	1
2941	GR4317	Assembly door 60 right bar profile 07	1
2942	GR4318	Assembly door 60 left bar profile 07	1
1222	ZS2309	Inner glass oven door 60 G	1
1257	ZS2391	In-between glass oven door 60 G 04	1
1339	ZS2416	Door hinge for multifunction oven 60	2
1280	ZS2419	Spring for door glass assembling 04	6
2286	ZS4122	Glued external oven door 60 G/070 double oven Ascot	1
2943	ZS4746	Right support for inner glass	1
2944	ZS4747	Left support for inner glass	1
5193	ZS8177	Handle for oven door 60 Ascot 70/100 chromed terminal nickel	1
5082	ZS7958	"Steel - Stile in cucina" plate	1

N° Object	Code	Description	Qty
132	ZS5148	Adhesive tape 16,5 m x 19h (3M)	80
725	601108	Anti-overturning device	0,3
1329	ZS5150	Adhesive tape 33 mt x 25h mm x Th 1.55 mm (3M)	7000
2296	ZS2666	Wiring commutators L=20 cm	2
2307	ZS3763	Wiring leds Party	1
2430	ZS2996	Wire protection d.3,5 vetrotex white	0,8
4748	ZS7357	Wiring diagram for cooker S7FF-4I	1
5050	ZS7813	Instruction booklet Top/Cooker Multilanguage	1