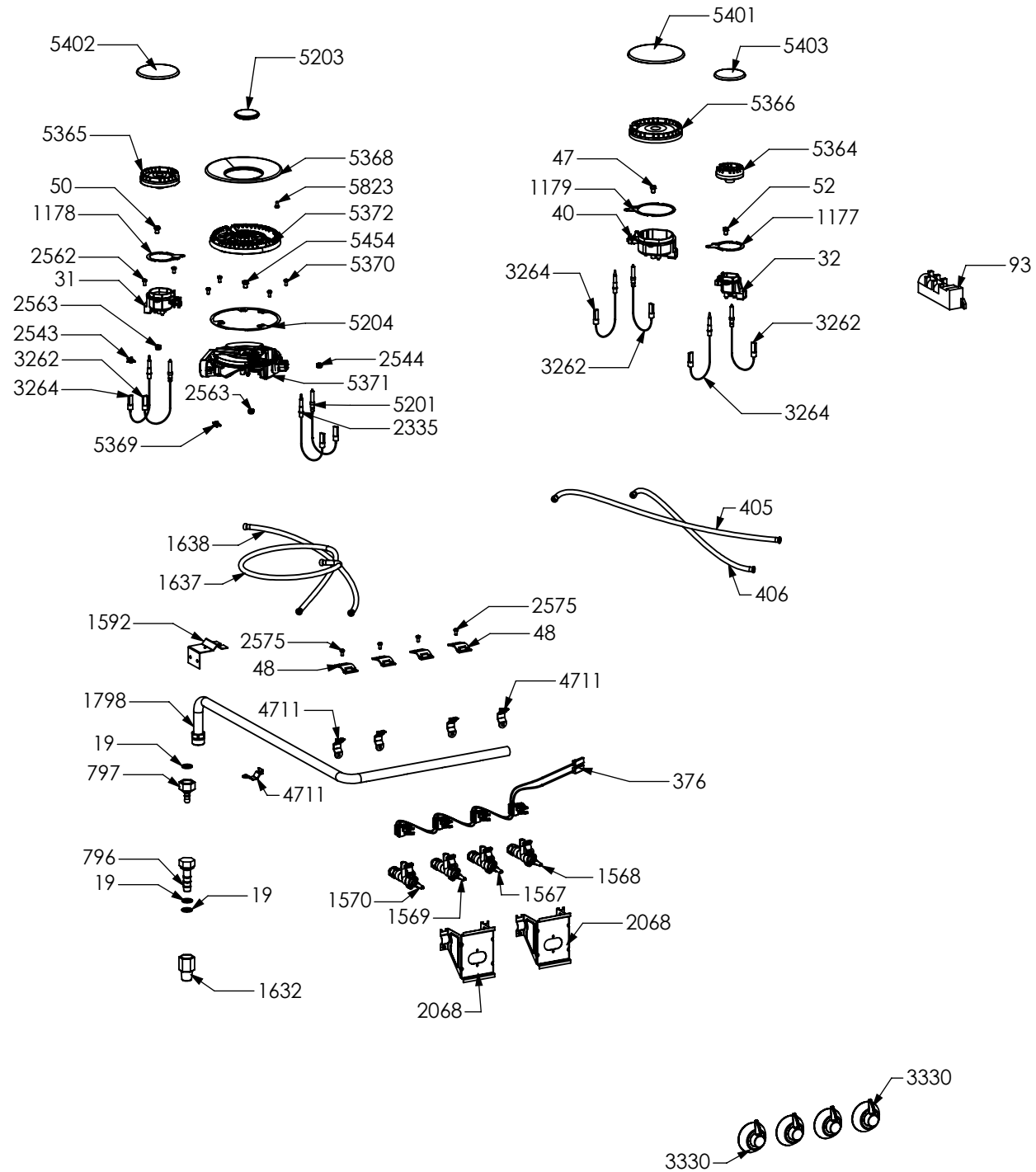
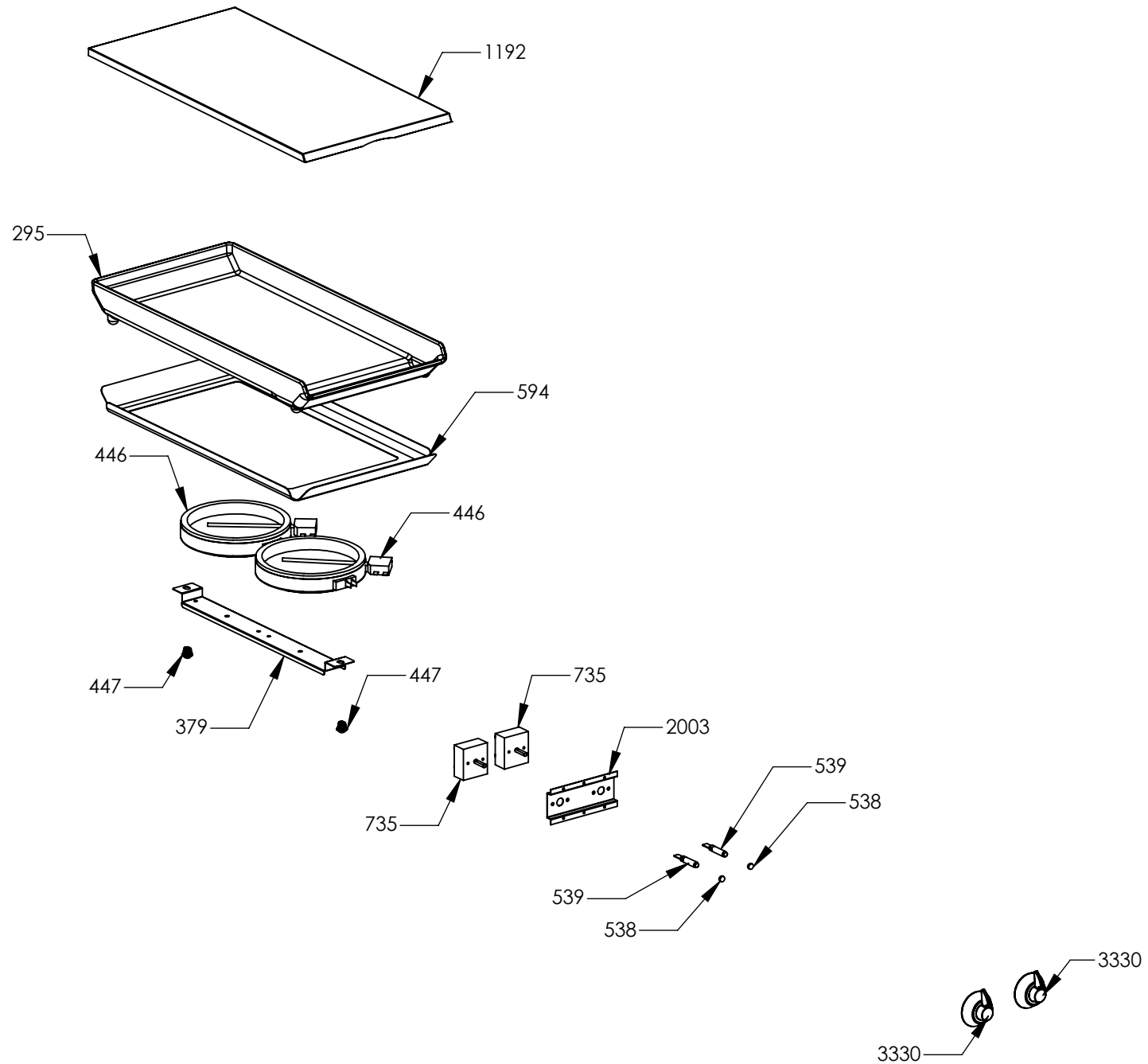


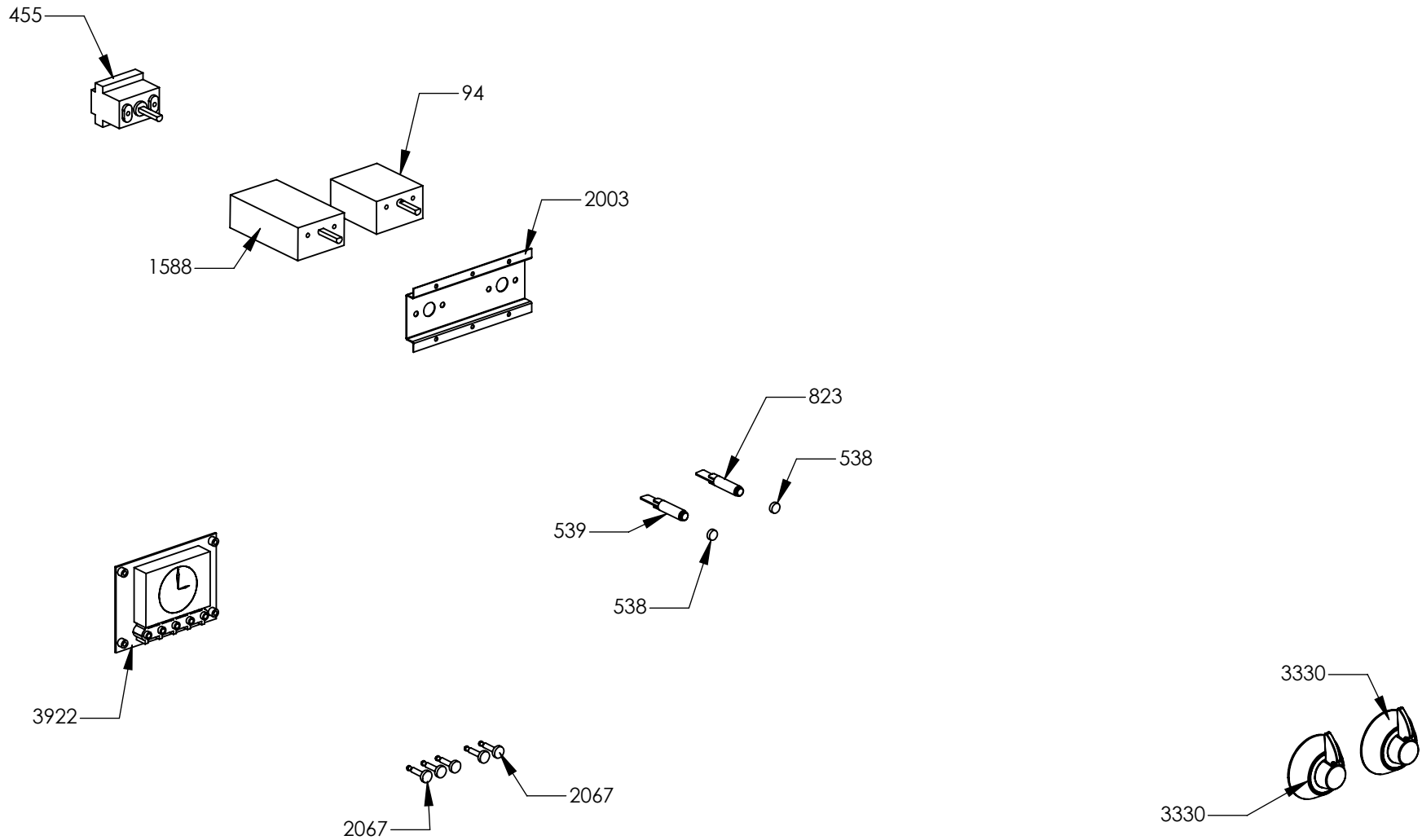
N° Object	Code	Description	Qty
731	ZS0565	Cast-iron grid for wok	1
794	ZS1058	Vitroglass for fry-top/barbecue	1
1014	ZS2026	Thermostat TY60 N.O. fixing B	1
1441	ZS2665	Support for fan timelag device	1
1575	ZS2931	Spacer between glasses	2
1957	ZS3495	Washer 4.3 x 10 x 3	4
1999	ZS3184	Back splash for cooker 90 Ascot	1
2027	ZS3327	Support for internal support control panel 90 Ascot	1
2030	ZS3532	Profile control panel drawer 90 Ascot chromed	1
2238	ZS4037	Control panel front 4 burners B/T/C Ascot 90 S.STEEL with serygr.	1
3032	ZS4391	Cast-iron grid 2 burners Ascot 07	2
5036	ZS7681	Complete upper right side Ascot	1
5037	ZS7682	Complete upper left side Ascot	1
5189	ZS8173	Handle for hob cooker Ascot 90 chromed terminal nickel	1
5423	ZS8731	Complete spill tray cooker 90 4 burners/barbecue Ascot	1



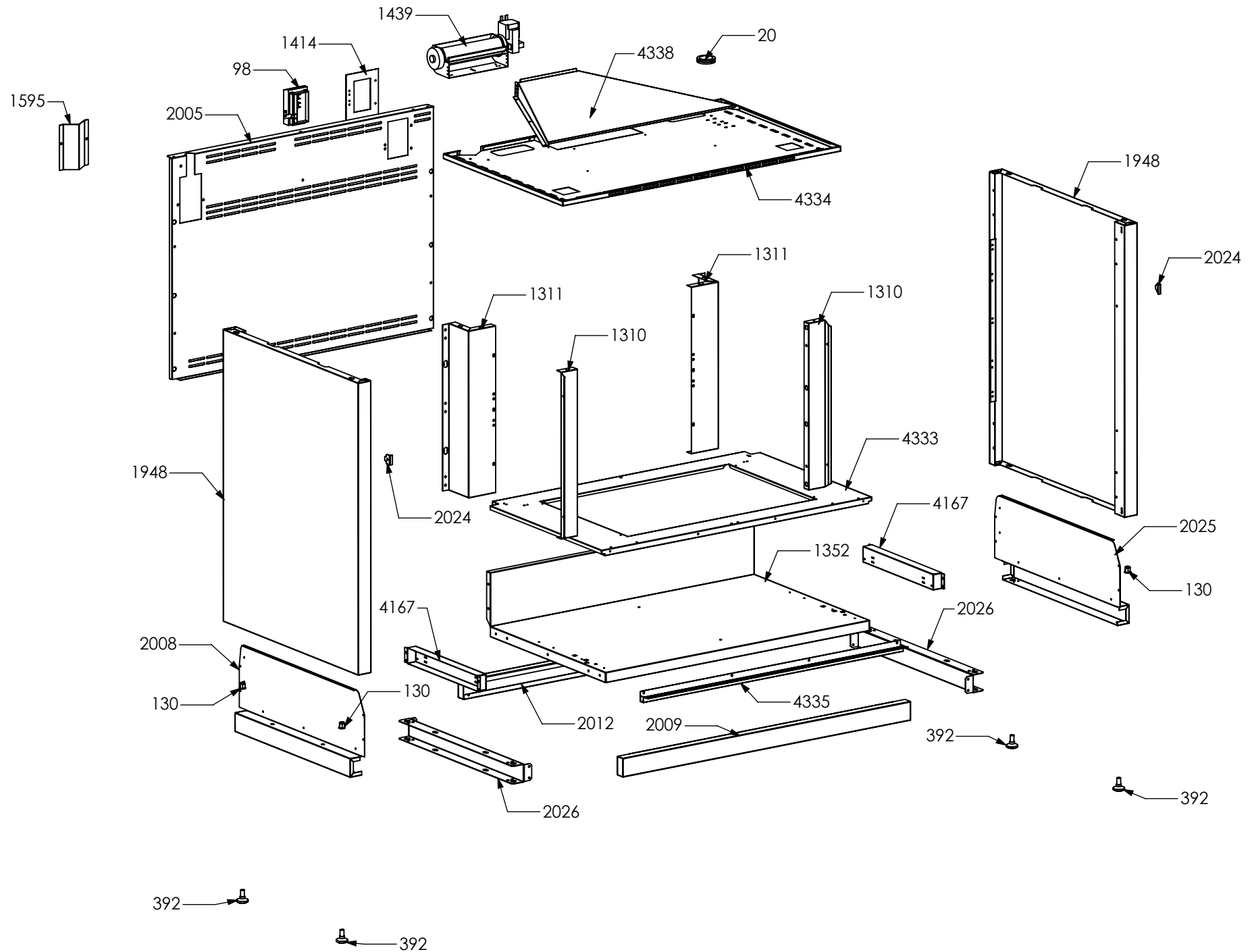
N° Object	Code	Description	Qty	N° Object	Code	Description	Qty
19	400689	Gasket gas inlet	3	2543	601229	Spring fixing spark plug for triple ring P-4	1
31	414121	Semi-rapid burner body G20 0,97	1	2544	ZS4186	Fixing nut for thermocouple burner 4.5	1
32	414123	Auxiliary burner body G20 0,72	1	2562	506037	Screw M3x8 TC s.steel	6
40	414212	Rapid burner body G20 1,15	1	2563	ZS0907	Fixing nut for themocouple	3
47	421312	Rapid burner nozzle G30/31 29/37 mbar 0,85	1	2575	505241	Screw M4	4
48	421323	Gas taps fixing bridle M60	4	3262	ZS5270	Burner spark plug Cast	3
50	423948	Semi-rapid burner nozzle G30/31 0,65	1	3264	ZS5272	Thermocouple Cast L=770	3
52	423951	Auxiliary burner nozzle G30/30 0,50	1	3330	ZS5412	Ascot chromed knob	4
93	481787	Ignition system 4 flames	1	4711	ZS6772	Clamp support for main ramp	5
376	ZS0813	Micro catenary for 4 burners	1	5201	ZS8191	Wok burner spark plug sbf DCC M+G INT	1
405	ZS0971	Pipe ramp for rear right auxiliary burner cooker 090 barbecue/fryer	1	5203	ZS8193	Plate central Wok burner	1
406	ZS0972	Pipe ramp for front right auxiliary burner cooker 090 barbecue/fryer	1	5204	ZS8194	Gasket for wok burner	1
796	410610	Pipe holder (G20)IT	1	5364	ZS8626	Auxiliary burner flame spreader HE2 BRASS	1
797	410645	Pipe holder (G30)	1	5365	ZS8628	Semi-rapid burner flame spreader HE2 BRASS	1
1177	ZS2217	Gasket for auxiliary burner	1	5366	ZS8630	Rapid burner flame spreader HE2 BRASS	1
1178	ZS2218	Gasket for semi-rapid burner	1	5368	ZS8633	Plate Wok burner external	1
1179	ZS2219	Gasket for rapid burner	1	5369	ZS8634	Spring fixing spark plug for Wok	1
1567	ZS2923	Valved tap for auxiliary burner (bypass 0,27)	1	5370	ZS8635	Screw M4 wok burner	4
1568	ZS2924	Valved tap for rapid/fish-kettle burner	1	5371	ZS8637	Wok burner body G20/20 1,32	1
1569	ZS2925	Valved tap for semi-rapid burner	1	5372	ZS8638	Wok burner flame spreader BRASS	1
1570	ZS2926	Valved tap for triple-ring burner	1	5401	ZS8684	Plate rapid burner HE2	1
1592	ZS2935	Rear ramp fixing support cooker 90/120	1	5402	ZS8685	Plate semi-rapid burner HE2	1
1632	ZS3021	Adapter female-male 1/2 BSP 04	1	5403	ZS8686	Plate auxiliary burner HE2	1
1637	ZS3058	Pipe ramp for front left triple ring burner cooker 90 05	1	5454	ZS8831	Mega Wok burner nozzle G30/30 0.94	1
1638	ZS3059	Pipe ramp for rear left semi-rapid burner cooker 90 05	1	5823	ZS8645	Pins for Wok	1
1798	ZS3370	Ramp 4 burners cooker 090/100 double oven 06	1				
2068	ZS3791	Ramp fixing support Ascot /XXL	2				
2335	ZS4181	Thermocouple SBF L=750 TC	1				



N° Object	Code	Description	Qty
295	ZS0580	Fry-top cast-iron griddle	1
379	ZS0820	Barbecue cast-iron griddle support	1
446	ZS1059	Heating element barbecue 1200/230 th.7	2
447	ZS1061	Spring for griddle heating el. support	2
538	ZS1204	Led transparent	2
539	ZS1205	Fluorescent green warning light	2
594	ZS1667	Protection frame for barbecue griddle	1
735	ZS1076	Energy regulator 230 V EGO EU	2
1192	ZS0553	Fry-top/barbecue stainless steel covering	1
2003	ZS3195	Commutator support 2 positions	1
3330	ZS5412	Ascot chromed knob	2

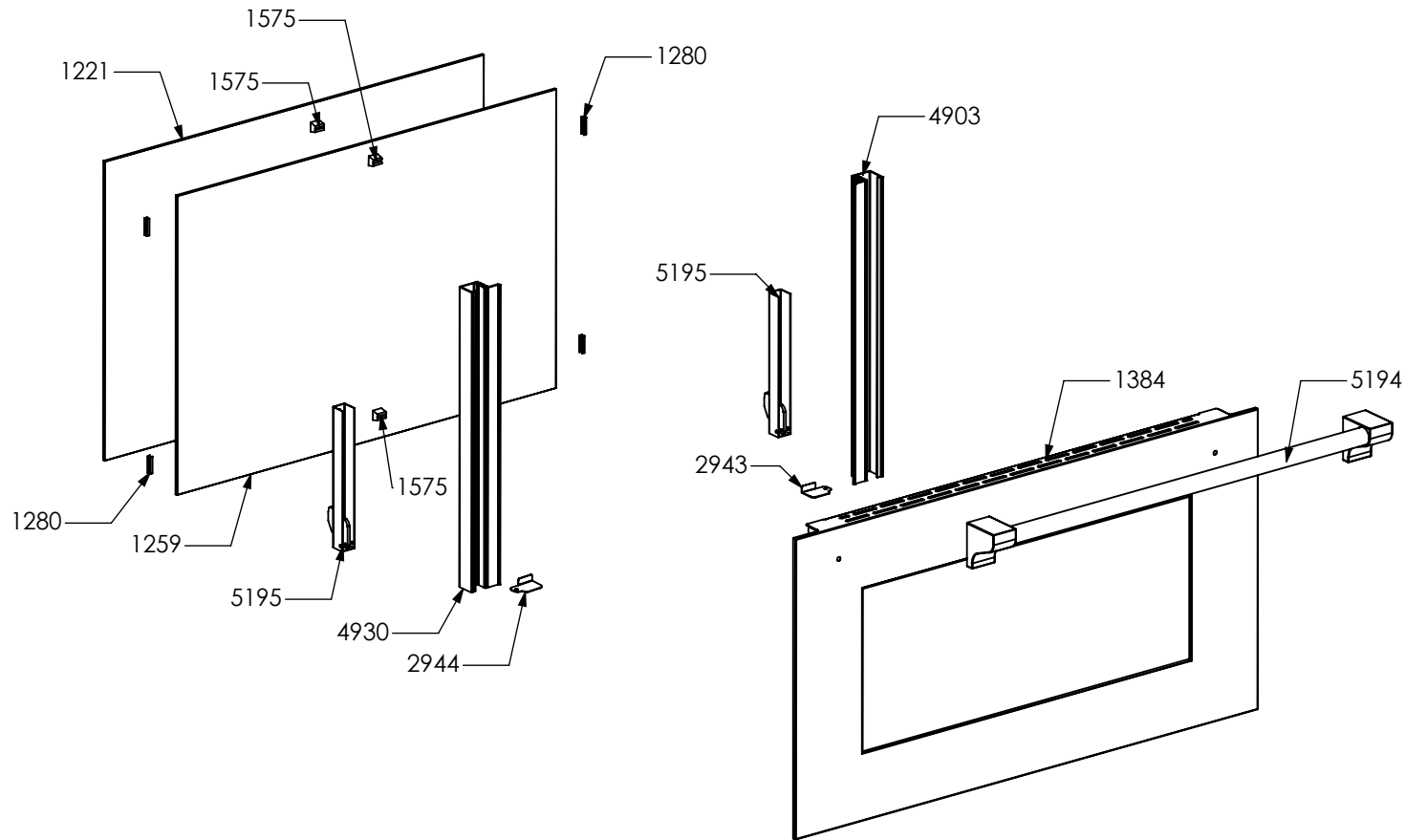


N° Object	Code	Description	Qty
94	481814	Commutator multif. for 90 built-in oven(no pizza)	1
455	ZS1075	Oven thermostat	1
538	ZS1204	Led transparent	2
539	ZS1205	Fluorescent green warning light	1
823	ZS1755	Fluorescent orange warning light	1
1588	ZS2889	Commutator oven functions 90 EGO	1
2003	ZS3195	Commutator support 2 positions	1
2067	ZS3785	Knob for timer gray	5
3330	ZS5412	Ascot chromed knob	2
3922	ZS6184	Timer (white led) LCD-ELA 1000	1

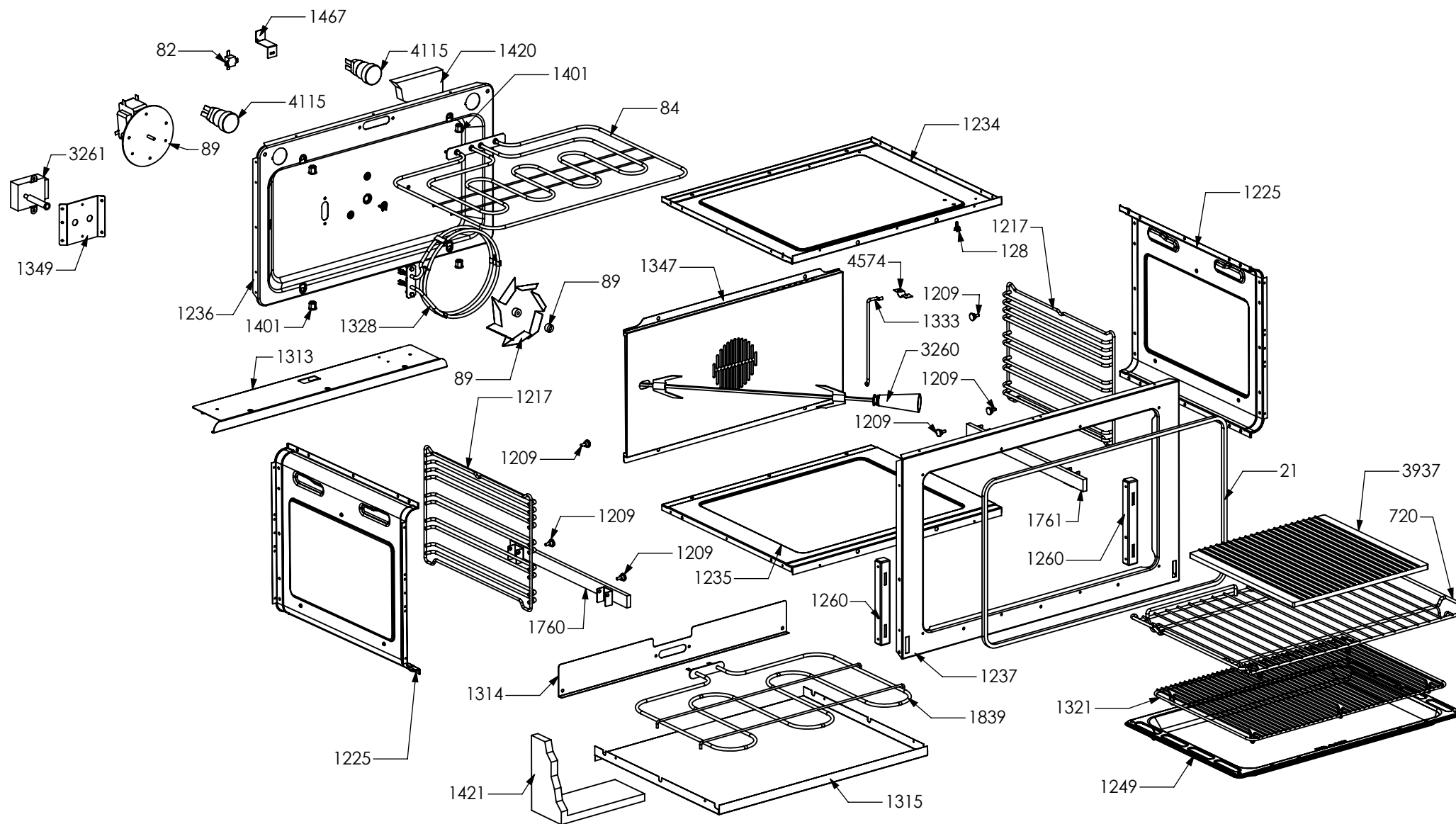


N° Object	Code	Description	Qty
20	401520	Black cap for glass front panel	1
98	481913	Terminal board for oven 32 PA 233	1
392	ZS0903	Sintesi black foot H.15	4
1310	ZS2464	Front support for muffle left/right side 90 04	2
1311	ZS2465	Rear support for muffle left/right side 90 04	2
1352	ZS2503	Lower guard for cooker 090 04	1
1414	ZS2601	Terminal board support	1
1439	ZS2663	Cooling fan L=180 Plaset (AU)	1
1595	ZS2938	Ramp hole closing plate	1
1948	ZS3225	Complete lower right/left side Ascot S.STEEL	2
2005	ZS3197	Rear guard for cooker 90 Ascot	1
2008	GR3201	Assembly support lower left side Ascot	1
130	601156	Tapping screw M10 galvanized	2
2026	ZS3318	Reinforcement drawer side structure plinth Ascot	1
2009	ZS3202	Plinth for cooker 90 Ascot	1
2012	ZS3205	Plinth rear for cooker 90 Ascot	1
2024	ZS3305	Fixing plate for top Ascot	2
2025	GR3317	Assembly support lower right side Ascot	1
130	601156	Tapping screw M10 galvanized	2
2026	ZS3318	Reinforcement drawer side structure plinth Ascot	1
4167	ZS6684	Spacer for drawer guide	2
4333	ZS6888	Upper guard for drawer 90	1
4334	ZS6889	Muffle fan guard cooker 90 cm	1
4335	ZS6890	Bracket condensate collection for 090 Steam	1
4338	ZS6907	Air conveyor for cooktop 090/120 SF	1

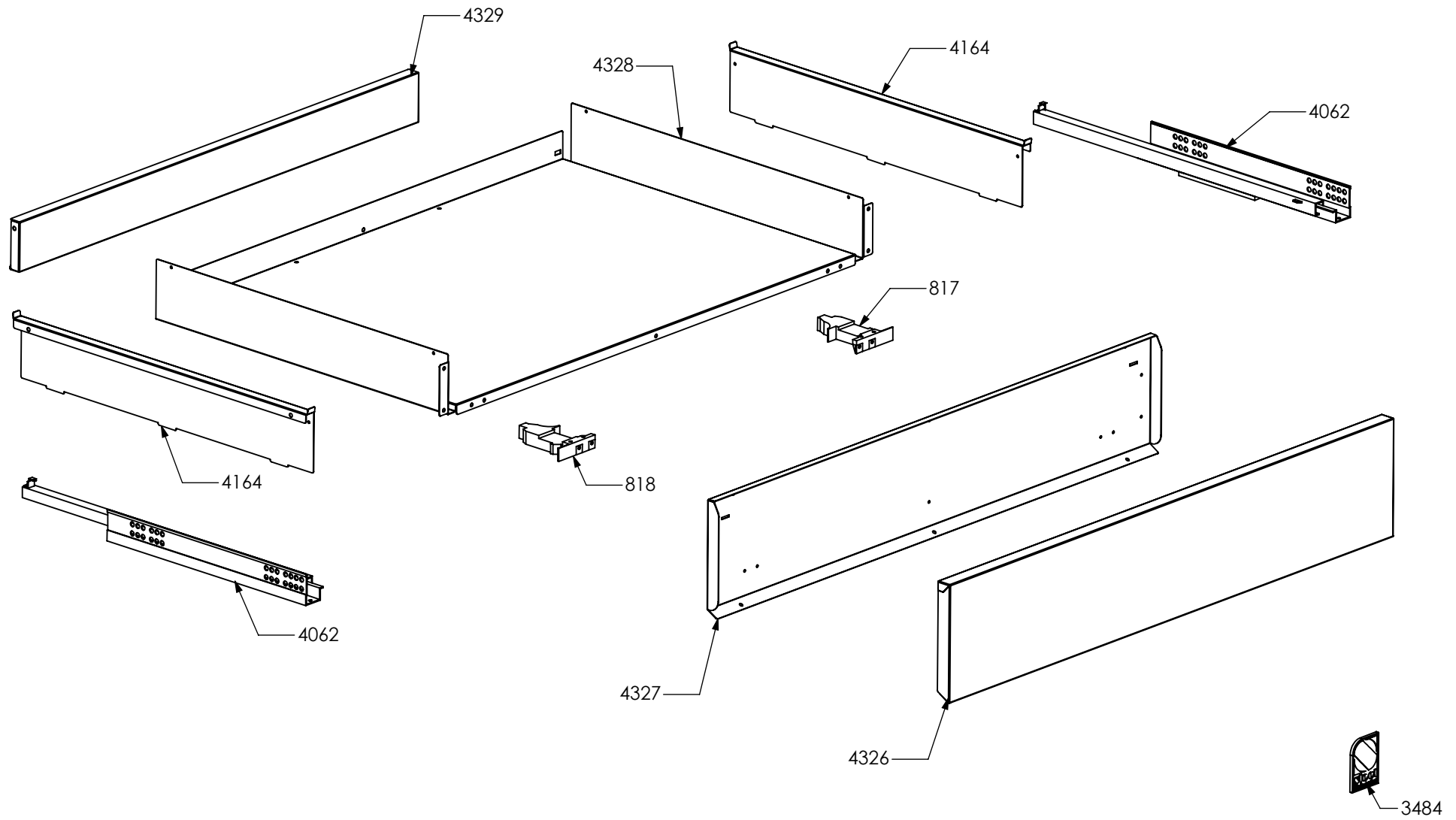
2734



N° Object	Code	Description	Qty
2734	GR4348	Assembly glued oven door 90 Ascot	1
4903	GR7666	Assembly door 30/60/90 right bar profile 15	1
4930	GR8097	Assembly door 30/60/90 left bar profile 15	1
1221	ZS2307	Inner glass oven door 90	1
1259	ZS2394	In-between glass oven door 90 04	1
1280	ZS2419	Spring for door glass assembling 04	4
1384	ZS2552	Glued external oven door 90	1
1575	ZS2931	Spacer between glasses	4
2943	ZS4746	Right support for inner glass	1
2944	ZS4747	Left support for inner glass	1
5194	ZS8178	Handle for oven door 90 Ascot 90/120 chromed terminal nickel	1
5195	ZS8180	Door hinge for oven 90	2



N° Object	Code	Description	Qty	N° Object	Code	Description	Qty
21	401638	Gasket oven 90	1	1761	ZS3079	Telescopic liner right	1
82	481403	Thermoswitch 16 Ampere	1	1839	ZS3082	Lower heating element for oven 90 (1400 W)	1
84	481589	Grill heating element for oven 90	1	3260	ZS5175	Turnspit for oven 90 (4 forks + handle) - 04	1
89	481727	Circular tangential oven 90 fan (AU) with fan and nut	1	3261	ZS5236	Turnspit motor reducer 50/60 Hz	1
128	601152	Spring fixing feeler for built-in oven	2	3937	ZS6339	Ceramic tiles for oven	1
720	451200	Chromed wire grid for oven 90 AU	2	4115	ZS6631	Complete Lamp-holder for oven (max 25 W)	2
1209	414559	Lateral frame support for built-in oven	6	4574	ZS6005	Fixing support for turnspit motor oven 60/90	1
1217	ZS2283	Oven lateral frame 30/60/90	2				
1225	ZS2312	Side muffle oven 30/60/90 enamelled 04	2				
1234	ZS2330	Enamelled muffle ceiling oven 90	1				
1235	ZS2332	Enamelled muffle bottom for oven 90	1				
1236	GR2334	Assembly rear muffle oven 90 enamelled 04	1				
1401	ZS2585	Tapping screw M5 aluminium	4				
1237	ZS2336	Enamelled muffle front side oven 90	1				
1249	ZS2366	Enamelled drip tray for oven 90	1				
1260	ZS2395	Hinge support 06	2				
1313	ZS2467	Grill heating element support for muffle oven 90 enamelled 04	1				
1314	ZS2468	Lower heating elem.support oven 90 04	1				
1315	ZS2469	Lower heating element tray oven 90 04	1				
1321	ZS2490	Trivet for oven 90 04	1				
1328	482325	Circular heating element 230V-2500W	1				
1333	ZS2289	Support for grillrod 60/90	1				
1347	ZS2486	Fan cover for oven 90 with turnspit hole 04 BLACK	1				
1349	ZS2499	Fixing support for turnspit motor oven 60/90	1				
1420	ZS2625	White glass wool for rear side 90 oven	1				
1421	ZS2626	White glass wool for 90 oven 04	1				
1467	ZS2604	Support for safety thermostat 04	1				
1760	ZS3078	Telescopic liner left	1				



N° Object	Code	Description	Qty
817	ZS0458	Drawer right regulation clip	1
818	ZS0459	Drawer left regulation clip	1
3484	ZS5647	"Steel - Stile in cucina" plate	1
4062	ZS6372	Couple legobox rails partial opening push pull	1
4164	ZS6681	Drawer lateral side for cooker S.Steel	2
4326	ZS6827	Drawer door cooker 090 SF s.steel	1
4327	ZS6828	Counterdoor drawer cooker 90 SF	1
4328	ZS6829	Bottom drawer for cooker 090 S.Steel	1
4329	ZS6830	Drawer rear side for cooker 090 S.Steel	1

N° Object	Code	Description	Qty
132	ZS5148	Adhesive tape 16,5 m x 19h (3M)	80
725	601108	Anti-overturning device	0,3
1512	ZS2847	Wiring diagram for cooker S9F-4B/T	1
1586	ZS2770	Additional wiring generic L=75 cm Fem Fem	2
2296	ZS2666	Wiring commutators L=20 cm	4
2307	ZS3763	Wiring leds Party	1
5050	ZS7813	Instruction booklet Top/Cooker Multilanguage	1