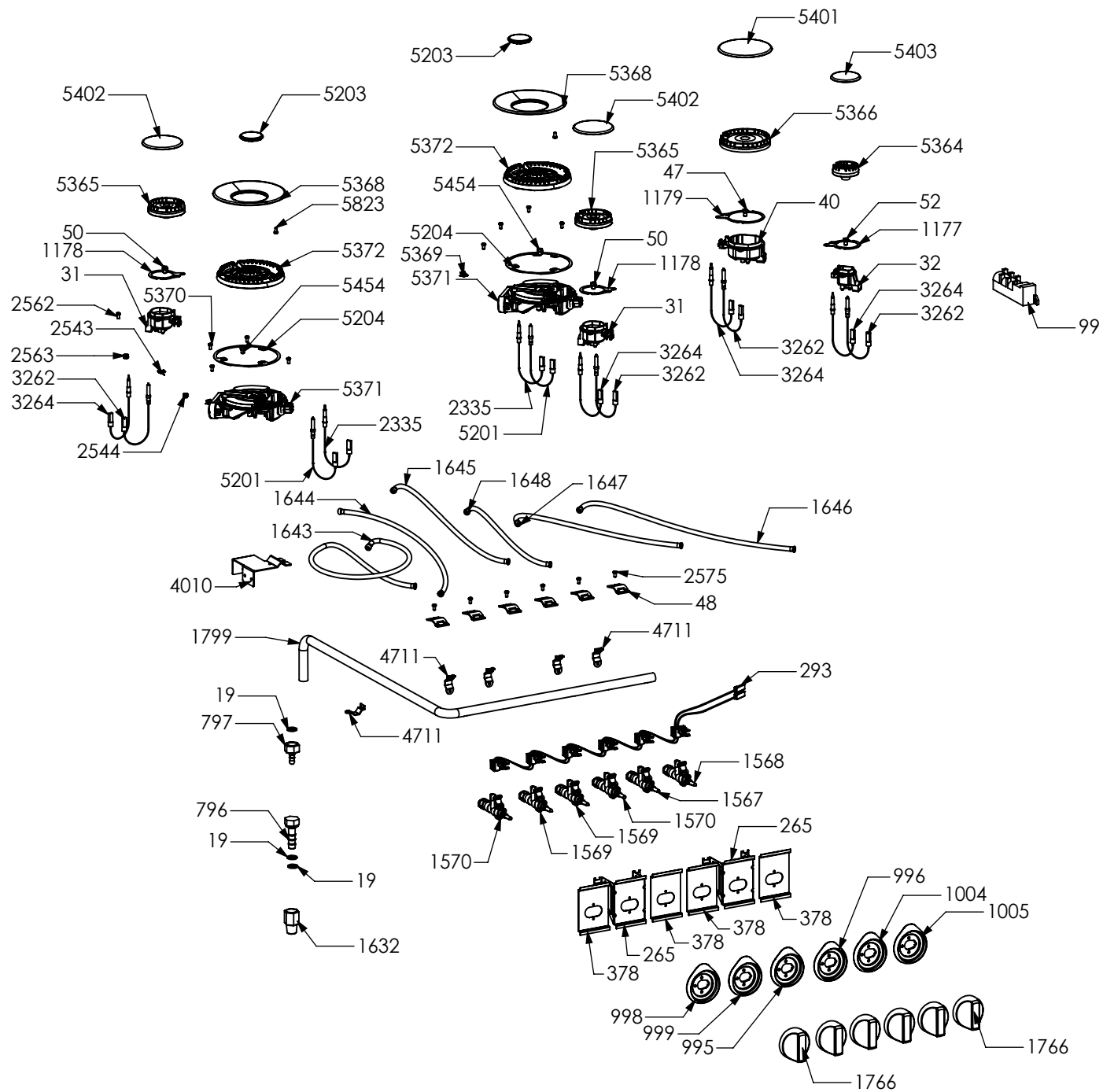
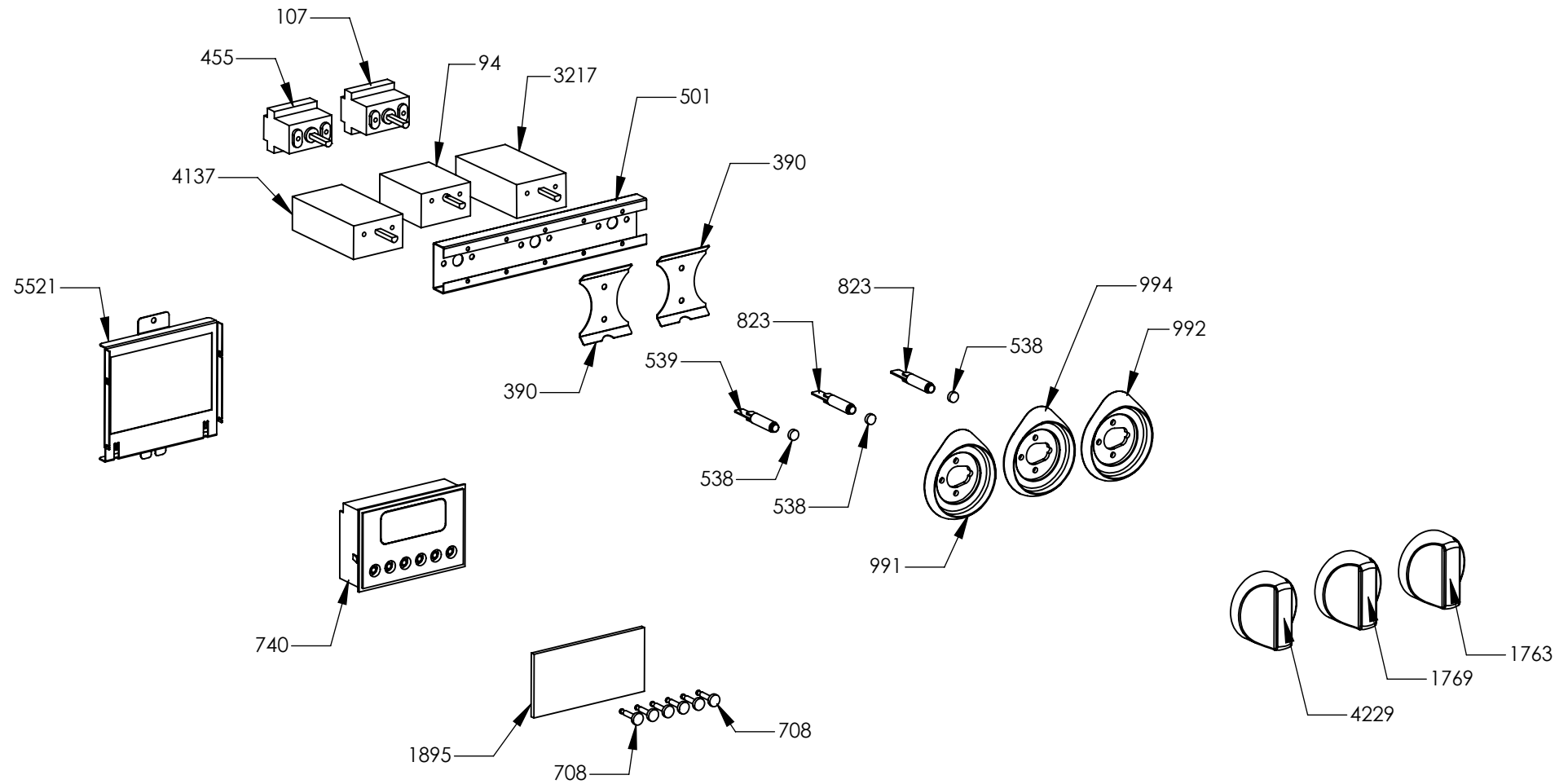


N° Object	Code	Description	Qty
260	ZS0498	Cast-iron grid for lateral cooktop 100 Sintesi	2
268	ZS0511	Cast-iron grid 2 burners Sintesi	3
684	ZS1864	Support for lateral cast-iron grid cooktop 100	4
731	ZS0565	Cast-iron grid for wok	1
1014	ZS2026	Thermostat TY60 N.O. fixing B	1
1023	ZS2093	Sintesi upper right side clamp 62.5 extended	1
1024	ZS2094	Sintesi upper left side clamp 62.5 extended	1
1059	GR2148	Assembly frontal bar profile top 100 polished	1
1061	ZS2163	Blocking device for frontal bar profile top SLT	2
1612	ZS3020	Support for connection top-base	2
1667	ZS3012	Upper lateral panel right side	1
1668	ZS3014	Upper lateral panel left side	1
4992	GR8755	Assembly cooktop cooker 100 double oven 6 burners DCC	1
1441	ZS2665	Support for fan timelag device	1
5503	ZS6140	Display support	1
5776	ZS3932	Rear side closing 100 cooker	1
5842	ZS8867	Rear side closing 090/100/120 cooker inside	1

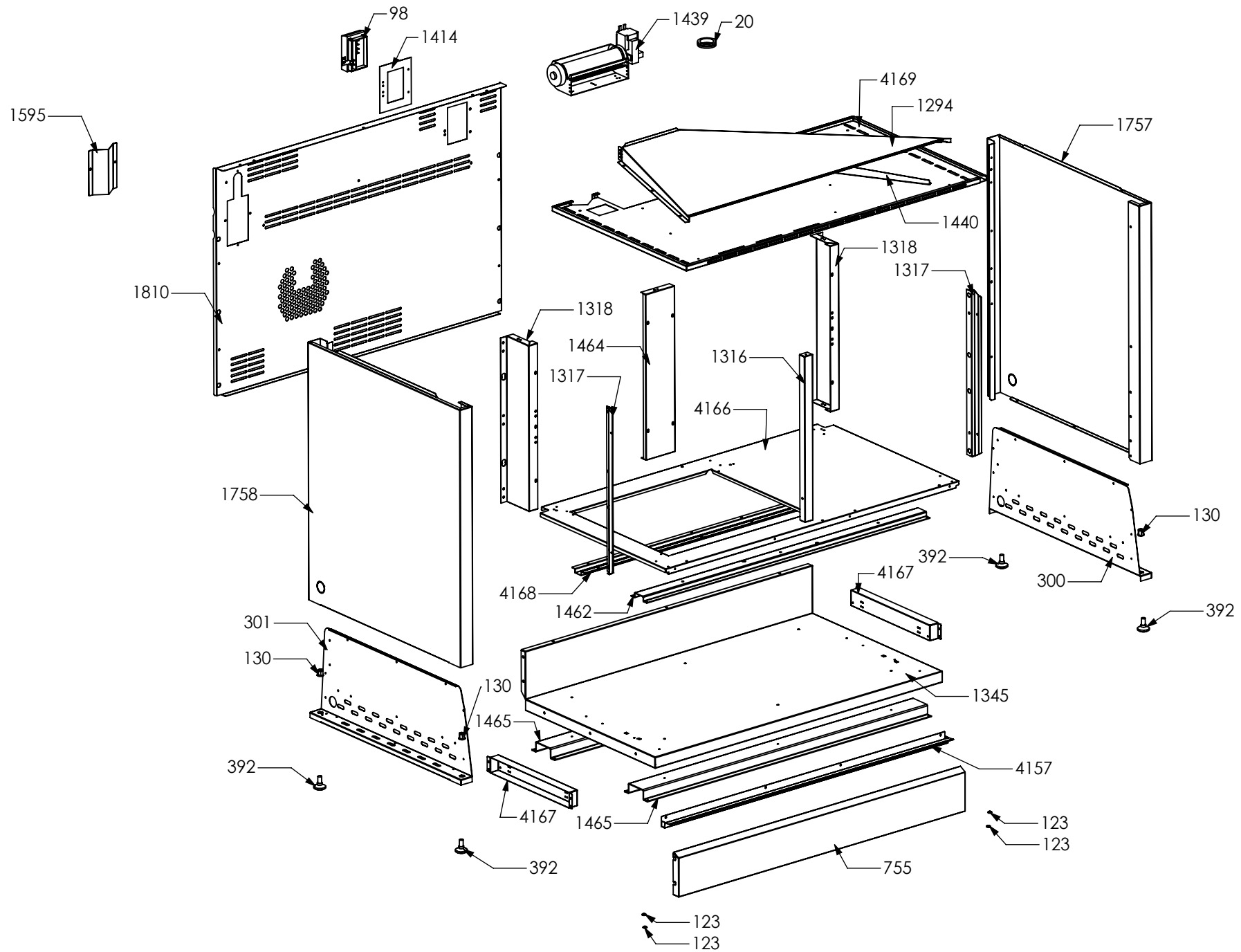


N° Object	Code	Description	Qty	N° Object	Code	Description	Qty
19	400689	Gasket gas inlet	3	1643	ZS3064	Pipe ramp for front left triple ring burner cooker 100 05	1
31	414121	Semi-rapid burner body G20 0,97	2	1644	ZS3065	Pipe ramp for rear left semi-rapid burner cooker 100 05	1
32	414123	Auxiliary burner body G20 0,72	1	1645	ZS3066	Pipe ramp for front right auxiliary burner cooker 100 05	1
40	414212	Rapid burner body G20 1,15	1	1646	ZS3067	Pipe ramp for rear right rapid burner cooker 100 05	1
47	421312	Rapid burner nozzle G30/31 29/37 mbar 0,85	1	1647	ZS3068	Pipe ramp for rear central triple ring burner for cooker 100 05	1
48	421323	Gas taps fixing bridle M60	6	1648	ZS3069	Pipe ramp for front central semi-rapid burner for cooker 100 05	1
50	423948	Semi-rapid burner nozzle G30/31 0,65	2	1766	ZS3155	Knob 58 for gas burners SLT	6
52	423951	Auxiliary burner nozzle G30/30 0,50	1	1799	ZS3371	Ramp 6 burners cooker 090/100 double oven extended 62.5 06	1
99	481918	Ignition system 6 flames	1	2335	ZS4181	Thermocouple SBF L=750 TC	2
265	ZS0504	Ramp fixing support	2	2543	601229	Spring fixing spark plug for triple ring P-4	1
293	ZS0578	Micro catenary for 6 burners	1	2544	ZS4186	Fixing nut for thermocouple burner 4.5	1
378	ZS0819	Under knob collars fixing support	4	2562	506037	Screw M3x8 TC s.steel	8
796	410610	Pipe holder (G20)IT	1	2563	ZS0907	Fixing nut for themocouple	4
797	410645	Pipe holder (G30)	1	2575	505241	Screw M4	6
995	ZS1643	Bezel for front central burner knob 58, bright chromed	1	3262	ZS5270	Burner spark plug Cast	4
996	ZS1644	Bezel for rear central burner knob 58, bright chromed	1	3264	ZS5272	Thermocouple Cast L=770	4
998	ZS1646	Bezel for front left burner knob 58, bright chromed	1	4010	ZS6150	Rear ramp fixing support cooker 70/100 TC/DC	1
999	ZS1647	Bezel for rear left burner knob 58, bright chromed	1	4711	ZS6772	Clamp support for main ramp	5
1004	ZS1652	Bezel for front right burner knob 58, bright chromed	1	5201	ZS8191	Wok burner spark plug sbf DCC M+G INT	2
1005	ZS1653	Bezel for rear right burner knob 58, bright chromed	1	5203	ZS8193	Plate central Wok burner	2
1177	ZS2217	Gasket for auxiliary burner	1	5204	ZS8194	Gasket for wok burner	2
1178	ZS2218	Gasket for semi-rapid burner	2	5364	ZS8626	Auxiliary burner flame spreader HE2 BRASS	1
1179	ZS2219	Gasket for rapid burner	1	5365	ZS8628	Semi-rapid burner flame spreader HE2 BRASS	2
1567	ZS2923	Valved tap for auxiliary burner (bypass 0,27)	1	5366	ZS8630	Rapid burner flame spreader HE2 BRASS	1
1568	ZS2924	Valved tap for rapid/fish-kettle burner	1	5368	ZS8633	Plate Wok burner external	2
1569	ZS2925	Valved tap for semi-rapid burner	2	5369	ZS8634	Spring fixing spark plug for Wok	2
1570	ZS2926	Valved tap for triple-ring burner	2	5370	ZS8635	Screw M4 wok burner	8
1632	ZS3021	Adapter female-male 1/2 BSP 04	1	5371	ZS8637	Wok burner body G20/20 1,32	2

N° Object	Code	Description	Qty
5372	ZS8638	Wok burner flame spreader BRASS	2
5401	ZS8684	Rapid spreader cap HE2	1
5402	ZS8685	Semi-rapid spreader cap HE2	2
5403	ZS8686	Auxiliary spreader cap HE2	1
5454	ZS8831	Mega Wok burner nozzle G30/30 0.94	2
5823	ZS8645	Pins for Wok	2

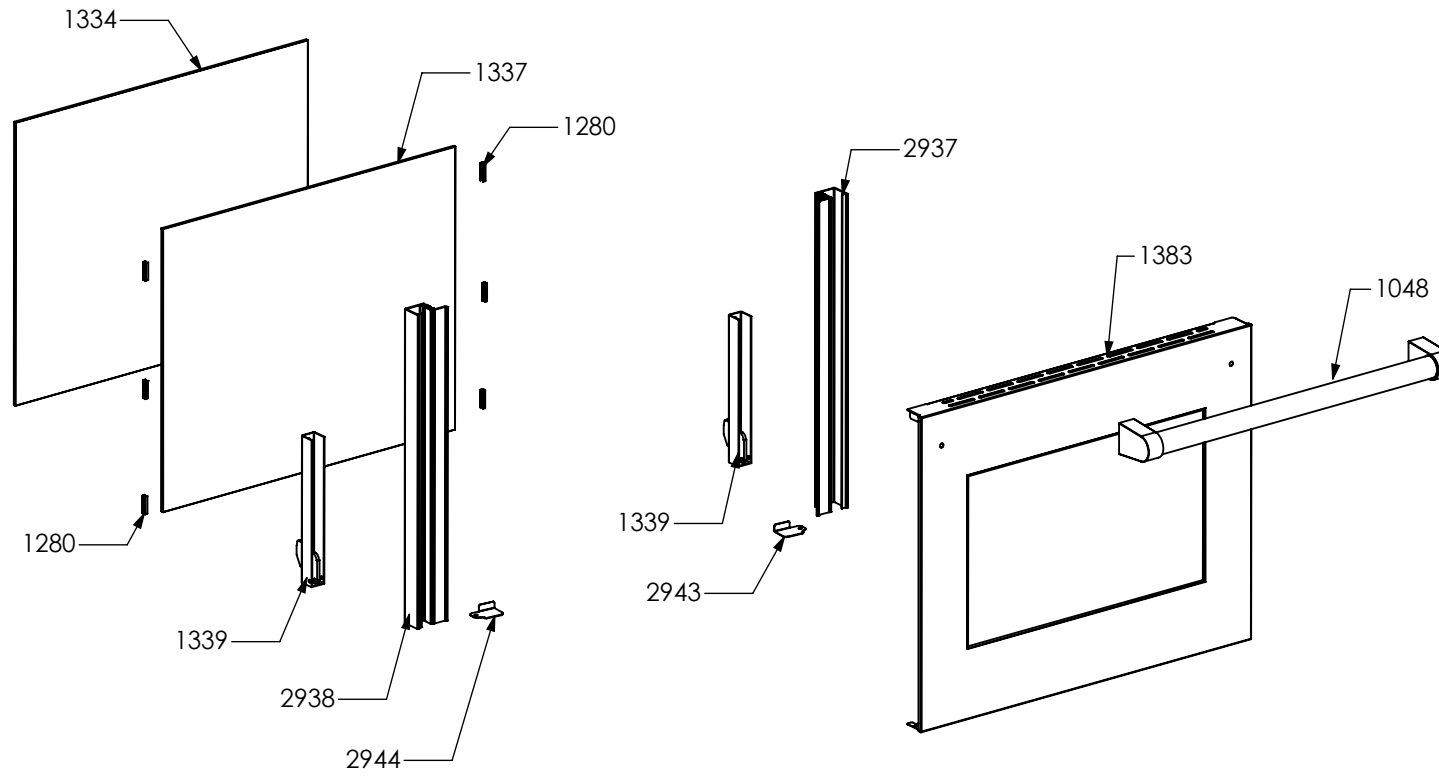


N° Object	Code	Description	Qty
94	481814	Commutator multif. for 90 built-in oven(no pizza)	1
107	482120	Thermostat cooker 192	1
390	ZS0890	Spring for el. controls support	2
455	ZS1075	Oven thermostat	1
501	ZS1136	Commutator support 3 positions	1
538	ZS1204	Led transparent	3
539	ZS1205	Fluorescent green warning light	1
708	ZS1916	Knob for timer steel-colour 988	6
740	ZS1747	Timer (blue led) 50 Hz	1
823	ZS1755	Fluorescent orange warning light	2
991	ZS1639	Bezel for main oven functions knob 58, bright chromed	1
992	ZS1640	Bezel for 30 oven functions knob 58, bright chromed	1
994	ZS1642	Bezel for oven temperature knob 58, bright chrome	1
1763	ZS3152	Knob 58 oven 30 functions SLT	1
1769	ZS3158	Knob 58 for oven temperature SLT	1
1895	ZS3652	Glass lcd 6 button no hole	1
3217	ZS4568	Commutator oven functions 30 EGO	1
4137	ZS6655	Steam oven functions switch	1
4229	ZS6321	Knob 58 main oven steam functions SLT	1
5521	ZS6139	Electrical display support	1

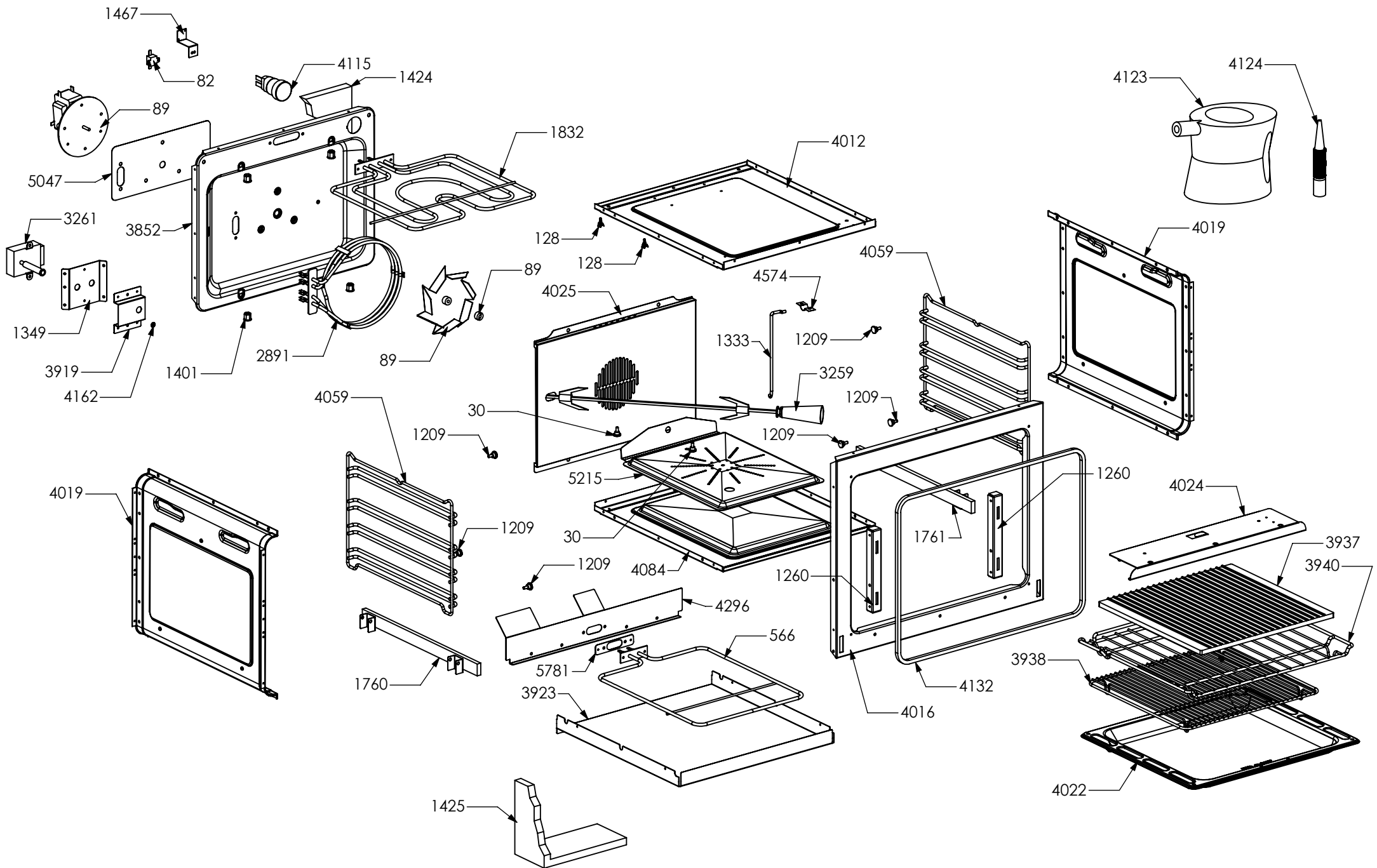


N° Object	Code	Description	Qty	N° Object	Code	Description	Qty
20	401520	Black cap for glass front panel	2	4169	ZS6686	Muffle fan guard cooker 100 double/Triple oven Steam	1
98	481913	Terminal board for oven 32 PA 233	1				
123	541011	Spacer washer for built-in oven	4				
300	GR0591	Assembly complete lower reinforcement right side	1				
130	601156	Tapping screw M10 galvanized	2				
301	GR0592	Assembly complete lower reinforcement left side	1				
130	601156	Tapping screw M10 galvanized	2				
392	ZS0903	Sintesi black foot H.15	4				
755	ZS1917	Plinth for cooker 100 double oven	1				
1294	ZS2440	Air conveyor for cooktop 100 DC double oven 04	1				
1316	ZS2474	Front central muffle support cooker 100/120 double oven	1				
1317	ZS2475	Front support for muffle R/L side 100/120 double/triple oven cooker	2				
1318	ZS2477	Rear support for muffle left/right side cooker 100 double/triple oven	2				
1345	ZS2479	Lower guard for cooker 100 double oven 04	1				
1414	ZS2601	Terminal board support	1				
1439	ZS2663	Cooling fan L=180 Plaset (AU)	1				
1440	ZS2664	Air conveyor separator cooker 100 DC/TC	1				
1462	ZS2472	Reinforcement for ceiling drawer cooker 100 double oven 04	1				
1464	ZS2476	Rear central support for muffle cooker 100 double oven	1				
1465	ZS2478	Reinforcement for lower guard cooker 100 double oven 04	2				
1595	ZS2938	Ramp hole closing plate	1				
1757	ZS3016	Complete lower right side panel	1				
1758	ZS3018	Complete lower left side panel	1				
1810	ZS3385	Rear guard for cooker 100 double oven extended 62.5 06	1				
4157	ZS6628	Bracket condensate collection for 100 DC Steam	1				
4166	ZS6683	Drawer upper guard for cooker 100 double oven Steam	1				
4167	ZS6684	Spacer for drawer guide	2				
4168	ZS6685	Reinforcement for ceiling drawer cooker 100 SF double oven 04	1				

2601

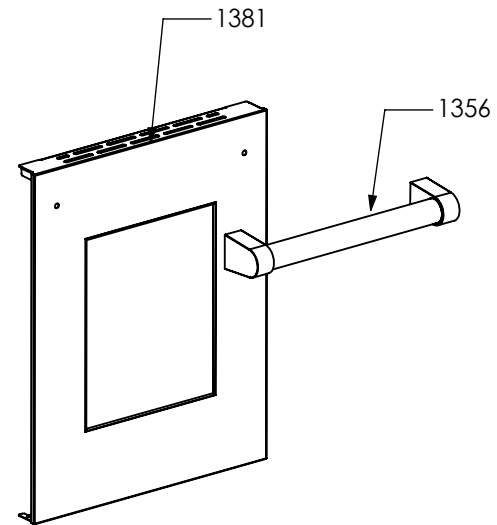
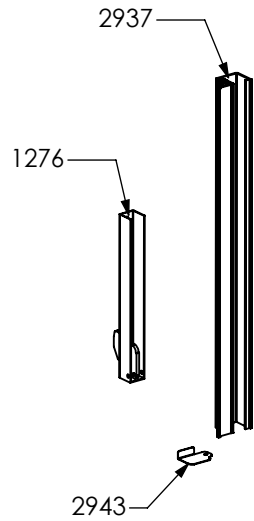
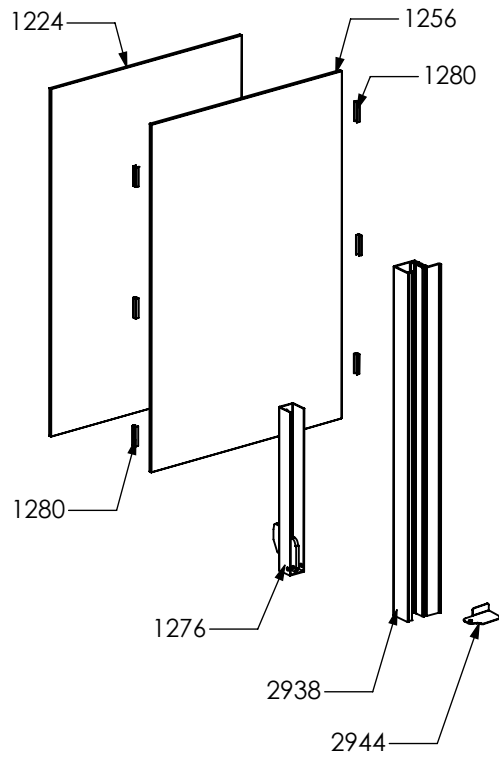


N° Object	Code	Description	Qty
2601	GR2550	Assembly glued oven door 60/100 double oven	1
2937	GR4313	Assembly door 30/60/90 right bar profile 07	1
2938	GR4314	Assembly door 30/60/90 left bar profile 07	1
1048	ZS2130	Door oven handle for oven 60 chromed SLT cooker 100	1
1334	ZS2308	Inner glass oven door 60	1
1337	ZS2393	In-between glass oven door 60 04	1
1339	ZS2416	Door hinge for multifunction oven 60	2
1280	ZS2419	Spring for door glass assembling 04	6
1383	ZS2550	Glued external oven door 60/100 double oven	1
2943	ZS4746	Right support for inner glass	1
2944	ZS4747	Left support for inner glass	1

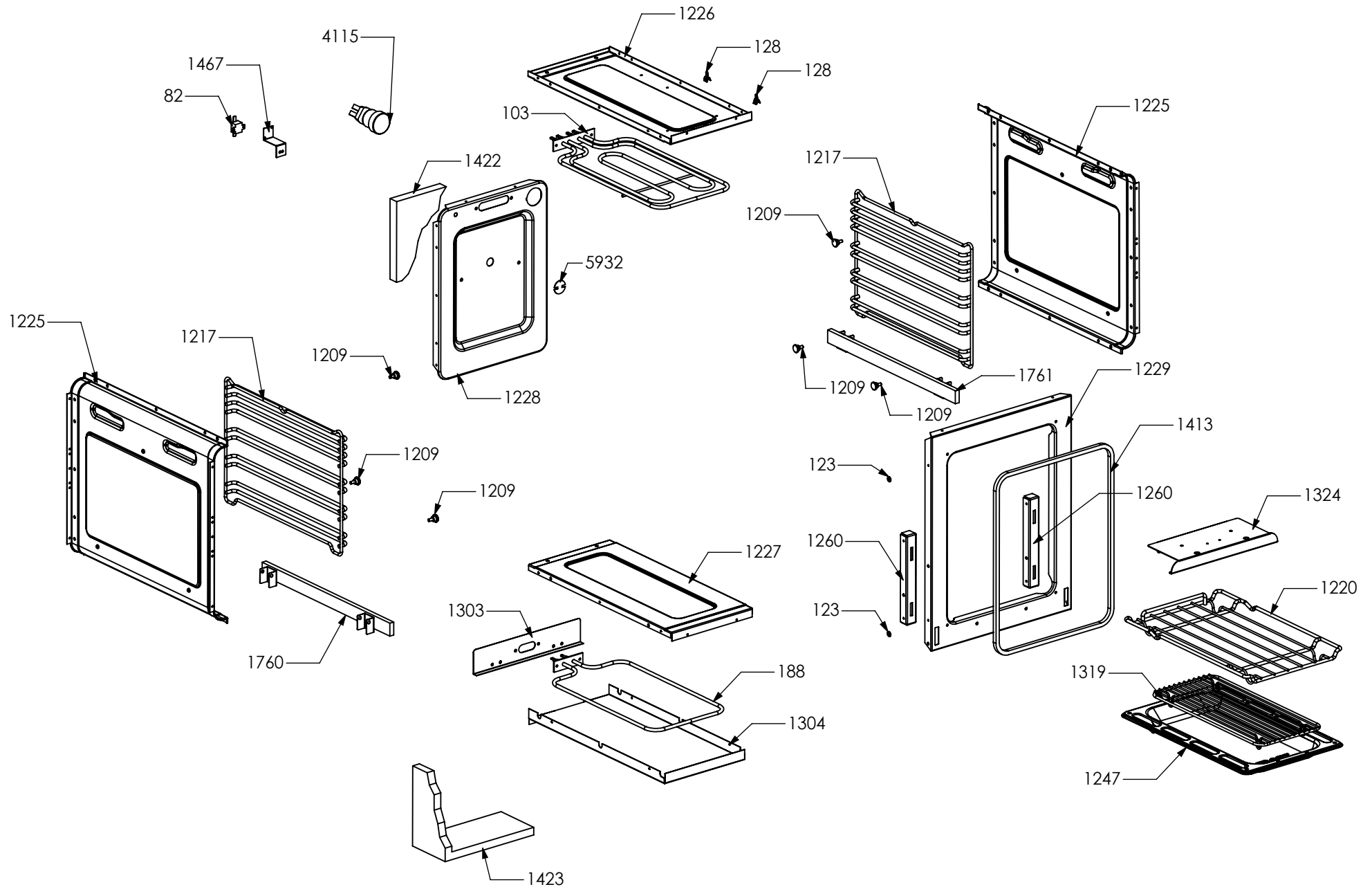


N° Object	Code	Description	Qty	N° Object	Code	Description	Qty
30	411213	Lateral frame support for built-in oven	2	4022	ZS7594	Drip tray for oven 60 S.Steel TDL	1
82	481403	Thermoswitch 16 Ampere	1	4024	ZS6246	Grill heating element support for muffle oven 60 S.Steel	1
89	481727	Circular tangential oven 90 fan (AU) with fan and nut	1	4025	ZS6247	Fan cover for oven 60 with turnspit hole S.STEEL	1
128	601152	Spring fixing feeler for built-in oven	2	4059	ZS6034	Oven lateral frame 30/60/90 S.Steel	2
566	ZS7590	Lower heating element for oven 60 (1200W/230V)	1	4084	ZS6542	Complete muffle bottom for oven 60 S.Steel Steam	1
1209	414559	Lateral frame support for built-in oven	6	4115	ZS6631	Complete Lamp-holder for oven (max 25 W)	1
1260	ZS2395	Hinge support 06	2	4123	ZS6653	Carafe graduate 0.5	1
1333	ZS2289	Support for grillrod 60/90	1	4124	ZS6654	Steam flexible pipe	1
1349	ZS2499	Fixing support for turnspit motor oven 60/90	1	4132	ZS6541	Gasket oven 60 H=8.9 mat HT	1
1424	ZS2629	White glass wool for rear side 60 oven 04	1	4162	ZS6679	O-ring 3021 viton	1
1425	ZS2632	White glass wool for 60 oven 04	1	4296	ZS9953	Lower heating elem.support oven 60	1
1467	ZS2604	Support for safety thermostat 04	1	4574	ZS6005	Fixing support for turnspit motor oven 60/90	1
1760	ZS3078	Telescopic liner left	1	5047	ZS7807	Reinforce fan cover for oven 90 with turnspit hole S.STEEL	1
1761	ZS3079	Telescopic liner right	1	5215	ZS8228	Steam generator cover 90	1
1832	482094	Grill heating element for oven 60 (1900+850W)	1	5781	ZS6558	Adapter for lower heating elements	1
2891	482589	Circular heating element 230V-2100W	1				
3259	ZS5174	Turnspit for oven 60 (4 forks + handle) - 04	1				
3261	ZS5236	Turnspit motor reducer 50/60 Hz	1				
3852	GR6224	Assembly rear muffle oven 60/100 S.Steel TDL	1				
1401	ZS2585	Tapping screw M5 aluminium	4				
3919	ZS6002	Reinforce for fixing support for turnspit motor oven 60/90	1				
3923	ZS6193	Lower heating element tray oven 60 04	1				
3937	ZS6339	Ceramic tiles for oven	1				
3938	ZS6340	S.steel Trivet for oven 60	1				
3940	ZS6342	S.steel wire grid for oven 60	2				
4012	ZS6215	Stainless Steel muffle ceiling oven 60	1				
4016	ZS6219	S.Steel muffle front side oven 60	1				
4019	ZS6222	Side muffle oven 30/60/90 S.Steel TDL	2				

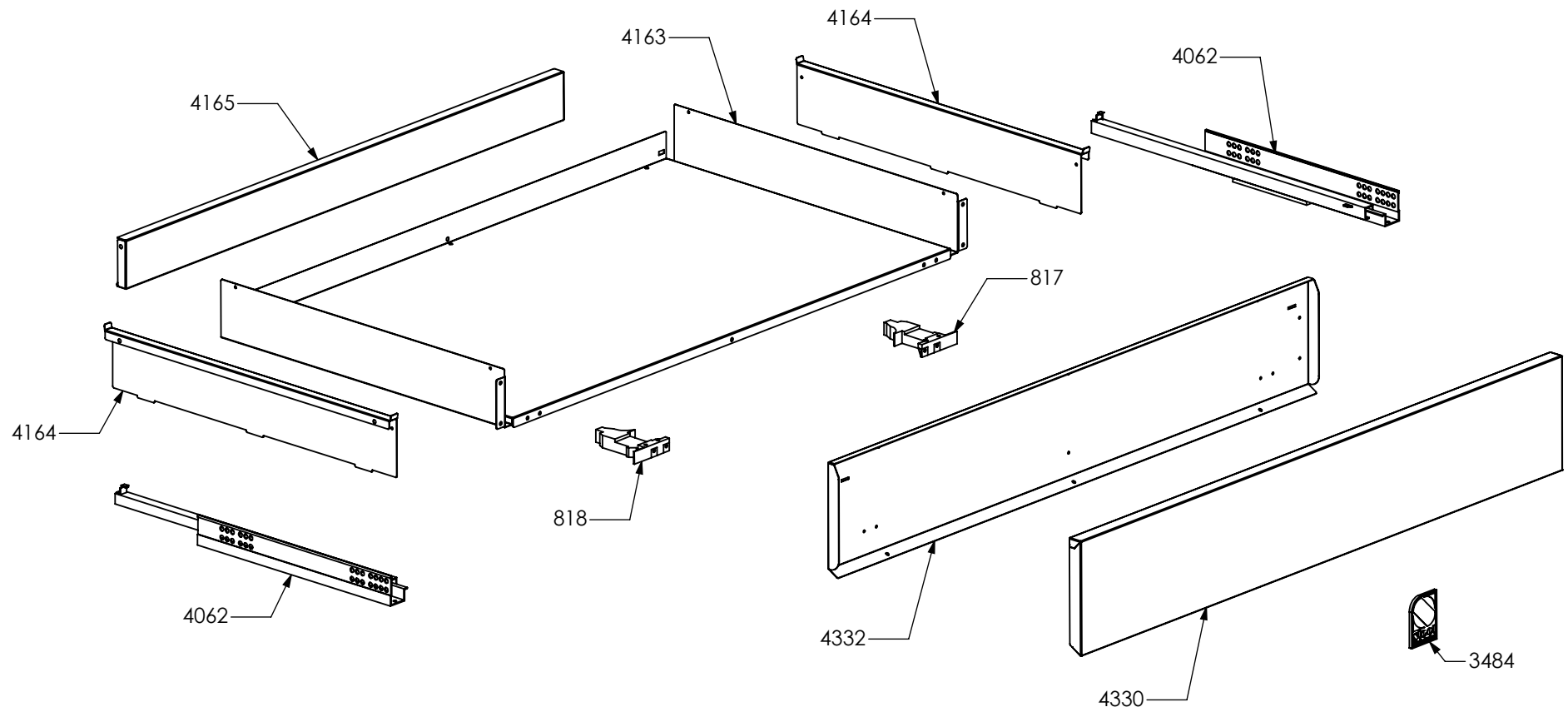
2599



N° Object	Code	Description	Qty
2599	GR2546	Assembly glued oven door 30	1
2937	GR4313	Assembly door 30/60/90 right bar profile 07	1
2938	GR4314	Assembly door 30/60/90 left bar profile 07	1
1224	ZS2311	Inner glass oven door 30	1
1256	ZS2390	In-between glass oven door 30 04	1
1276	ZS2413	Door hinge for oven 30	2
1280	ZS2419	Spring for door glass assembling 04	6
1356	ZS2507	Door oven handle for oven 30 chromed SLT	1
1381	ZS2546	Glued external oven door 30 KL	1
2943	ZS4746	Right support for inner glass	1
2944	ZS4747	Left support for inner glass	1



N° Object	Code	Description	Qty	N° Object	Code	Description	Qty
82	481403	Thermoswitch 16 Ampere	1				
103	482072	Upper heating element cooker	1				
123	541011	Spacer washer for built-in oven	2				
128	601152	Spring fixing feeler for built-in oven	2				
188	ZS7653	Lower heating element for oven 30	1				
1209	414559	Lateral frame support for built-in oven	6				
1217	ZS2283	Oven lateral frame 30/60/90	2				
1220	ZS2287	Chromed wire grid for oven 30	1				
1225	ZS2312	Side muffle oven 30/60/90 enamelled 04	2				
1226	ZS2314	Enamelled muffle ceiling oven 30	1				
1227	ZS2316	Enamelled muffle bottom for oven 30	1				
1228	ZS2318	Muffle rear side oven 30 enamelled 04	1				
1229	ZS2320	Enamelled muffle front side oven 30	1				
1247	ZS2362	Enamelled drip tray for oven 30	1				
1260	ZS2395	Hinge support 06	2				
1303	ZS2454	Lower heating elem.support oven 30 04	1				
1304	ZS2455	Lower heating element tray oven 30 04	1				
1319	ZS2488	Trivet for oven 30 04	1				
1324	ZS2494	Grill heating element support for muffle oven 30 enamelled 04	1				
1413	ZS2599	Gasket oven 30 04	1				
1422	ZS2627	White glass wool for rear side 30 oven 04	1				
1423	ZS2628	White glass wool for 30 oven 04	1				
1467	ZS2604	Support for safety thermostat 04	1				
1760	ZS3078	Telescopic liner left	1				
1761	ZS3079	Telescopic liner right	1				
4115	ZS6631	Complete Lamp-holder for oven (max 25 W)	1				
5932	ZP0119	Turnspit hole cap	1				



N° Object	Code	Description	Qty
817	ZS0458	Drawer right regulation clip	1
818	ZS0459	Drawer left regulation clip	1
3484	ZS5647	"Steel - Stile in cucina" plate	1
4062	ZS6372	Couple legobox rails partial opening push pull	1
4163	ZS6680	Bottom drawer for cooker 100 double oven S.Steel	1
4164	ZS6681	Drawer lateral side for cooker S.Steel	2
4165	ZS6682	Drawer rear side for cooker 100 double oven S.Steel	1
4330	ZS6840	Drawer door cooker 100 DC SF S.Steel	1
4332	ZS6870	Counterdoor drawer cooker 100 double oven	1

N° Object	Code	Description	Qty
132	ZS5148	Adhesive tape 16,5 m x 19h (3M)	80
725	601108	Anti-overturning device	0,3
1210	ZS5149	Adhesive tape 33 mt x 17h mm x th 0,6 mm (3M 4930)	20
1586	ZS2770	Additional wiring generic L=75 cm Fem Fem	2
2205	ZS3753	Tapping screw M5 s.steel	2
4254	ZS6759	Wiring diagram for cooker S10SF-6	1
5050	ZS7813	Instruction booklet Top/Cooker Multilanguage	1
5212	ZS8219	Aluminium adhesive badge "CombiSteam"	1
5357	ZS8592	Instruction booklet Combi steam Oven	1