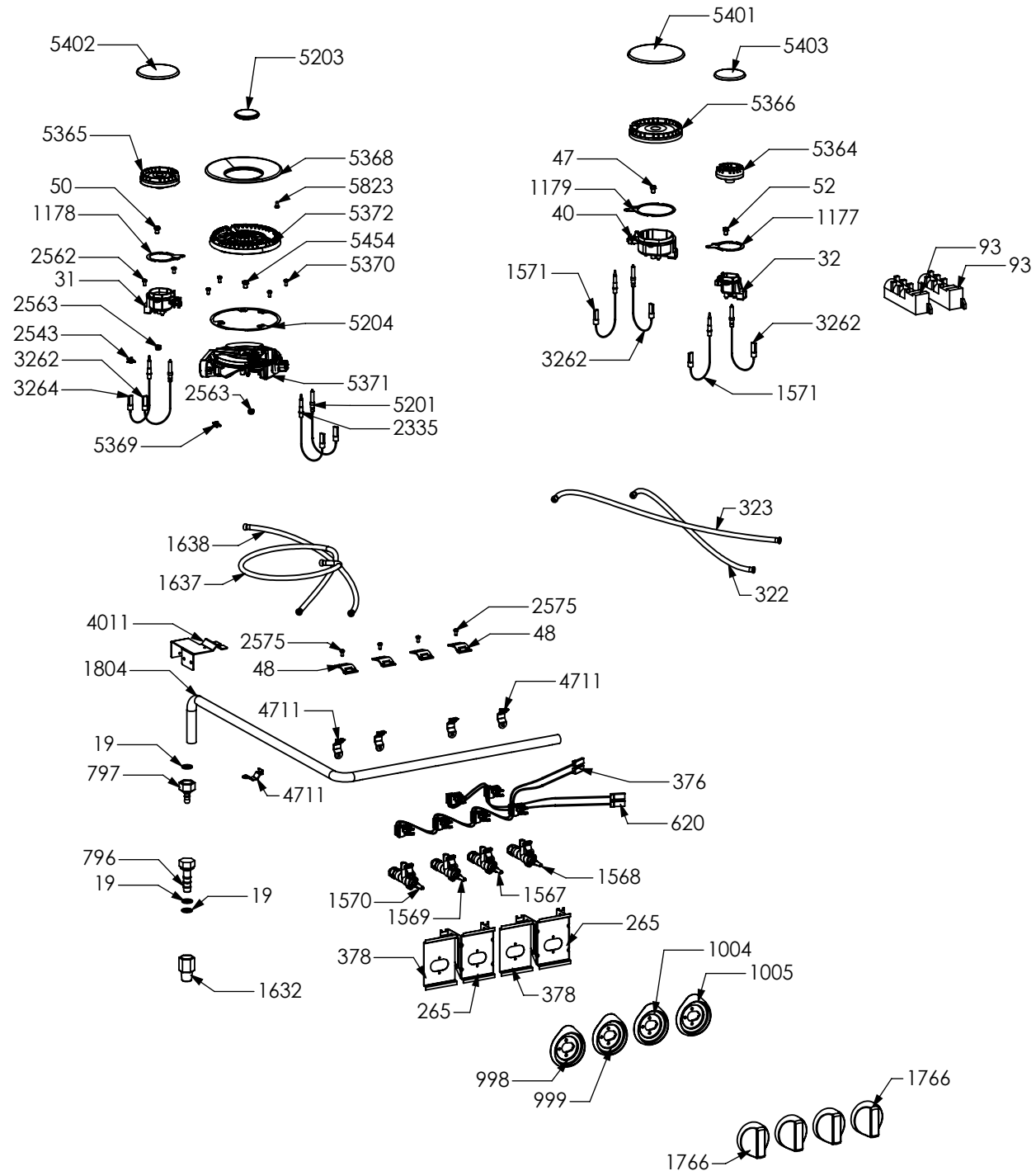
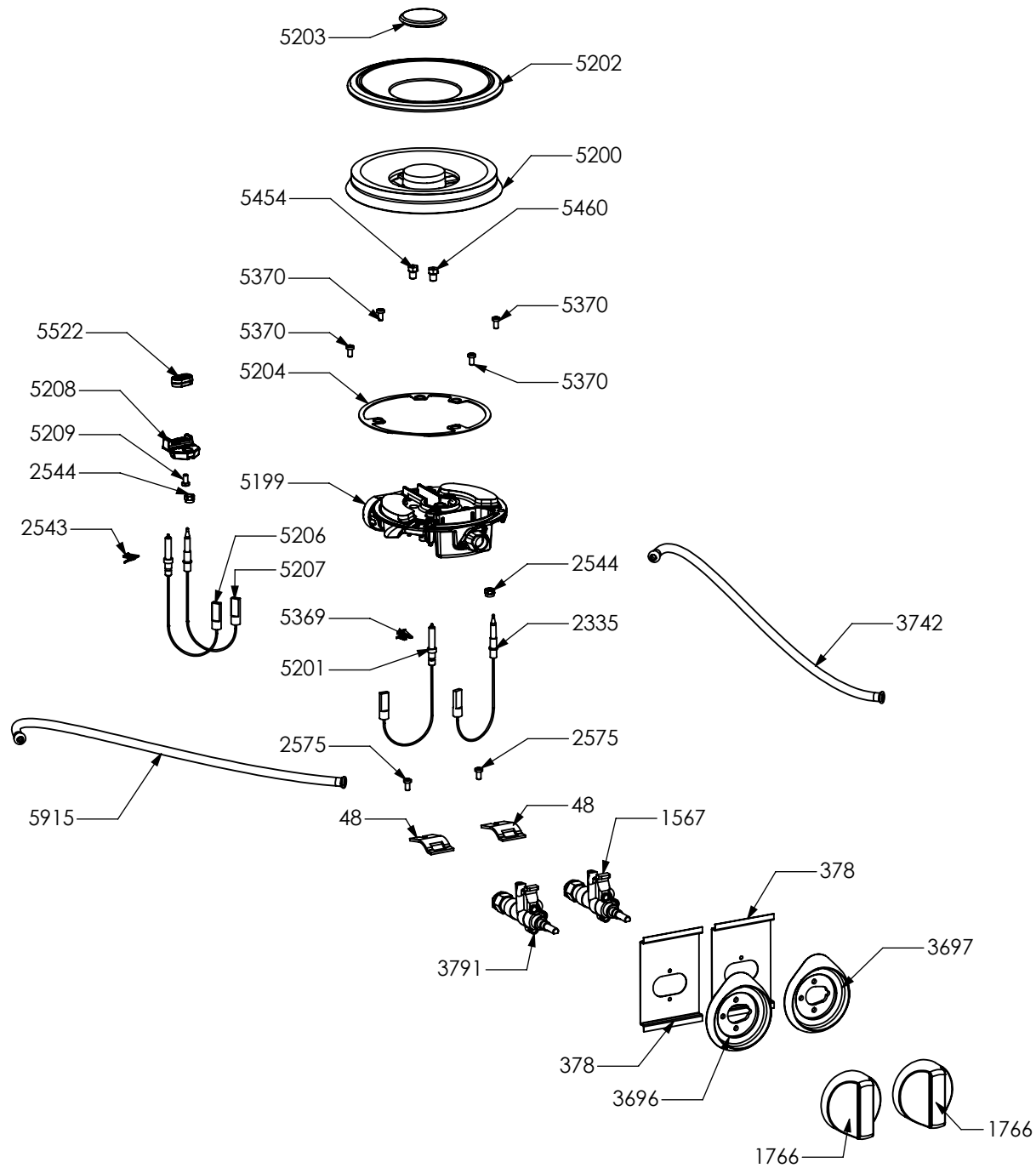


N° Object	Code	Description	Qty
268	ZS0511	Cast-iron grid 2 burners Sintesi	2
731	ZS0565	Cast-iron grid for wok	1
794	ZS1058	Vitroglass for fry-top/barbecue	1
1014	ZS2026	Thermostat TY60 N.O. fixing B	2
1023	ZS2093	Sintesi upper right side clamp 62.5 extended	1
1024	ZS2094	Sintesi upper left side clamp 62.5 extended	1
1060	GR2149	Assembly frontal bar profile top 120 polished	1
1061	ZS2163	Blocking device for frontal bar profile top SLT	2
1612	ZS3020	Support for connection top-base	2
1667	ZS3012	Upper lateral panel right side	1
1668	ZS3014	Upper lateral panel left side	1
3658	ZS5722	Cast-iron grid 1 burner Sintesi	1
4908	GR7839	Assembly cooktop cooker 120 double oven 4 burners DCC/barbecue, Mega wok	1
1441	ZS2665	Support for fan timelag device	2
5503	ZS6140	Display support	1
5777	ZS3933	Rear side closing 120 cooker	1
5842	ZS8867	Rear side closing 090/100/120 cooker inside	1

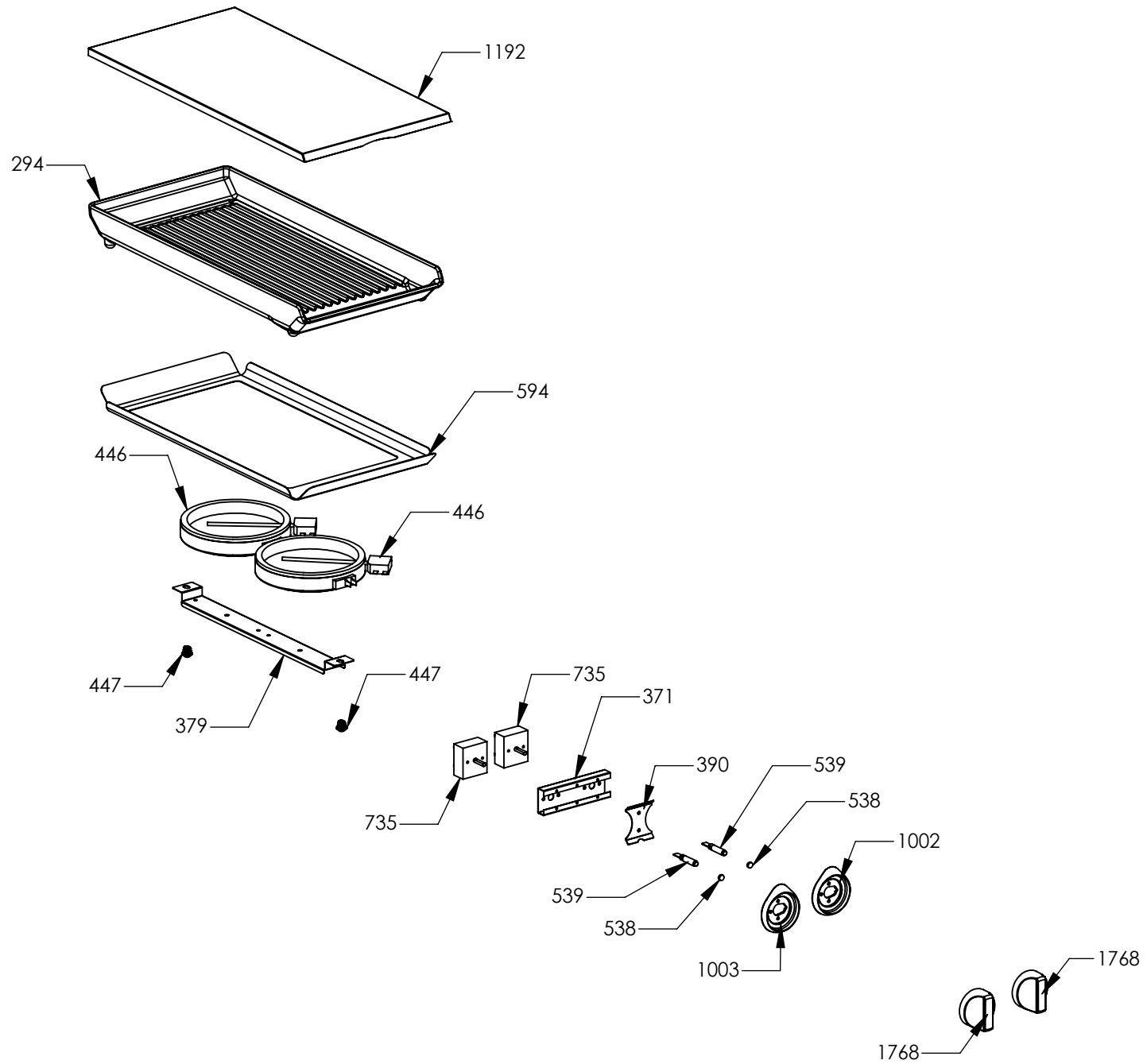


N° Object	Code	Description	Qty	N° Object	Code	Description	Qty
19	400689	Gasket gas inlet	3	1571	ZS2927	Thermocouple SBF L=1100 (dis 0896)	2
31	414121	Semi-rapid burner body G20 0,97	1	1632	ZS3021	Adapter female-male 1/2 BSP 04	1
32	414123	Auxiliary burner body G20 0,72	1	1637	ZS3058	Pipe ramp for front left triple ring burner cooker 90 05	1
40	414212	Rapid burner body G20 1,15	1	1638	ZS3059	Pipe ramp for rear left semi-rapid burner cooker 90 05	1
47	421312	Rapid burner nozzle G30/31 29/37 mbar 0,85	1	1766	ZS3155	Knob 58 for gas burners SLT	4
48	421323	Gas taps fixing bridle M60	4	1804	ZS3379	Ramp 6 burners cooker 120 double oven extended 62.5 06	1
50	423948	Semi-rapid burner nozzle G30/31 0,65	1	2335	ZS4181	Thermocouple SBF L=750 TC	1
52	423951	Auxiliary burner nozzle G30/30 0,50	1	2543	601229	Spring fixing spark plug for triple ring P-4	1
93	481787	Ignition system 4 flames	2	2562	506037	Screw M3x8 TC s.steel	6
265	ZS0504	Ramp fixing support	2	2563	ZS0907	Fixing nut for themocouple	4
322	ZS0636	Pipe ramp for front right auxiliary burner cooker 120 double oven 6 burners	1	2575	505241	Screw M4	4
323	ZS0637	Pipe ramp for rear right rapid burner cooker 120 double oven 6 burners	1	3262	ZS5270	Burner spark plug Cast	3
376	ZS0813	Micro catenary for 4 burners	1	3264	ZS5272	Thermocouple Cast L=770	1
378	ZS0819	Under knob collars fixing support	2	4011	ZS6185	Rear ramp fixing support cooker 90/120	1
620	ZS1746	Micro catenary for 2 burners	1	4711	ZS6772	Clamp support for main ramp	5
796	410610	Pipe holder (G20)IT	1	5201	ZS8191	Wok burner spark plug sbf DCC M+G INT	1
797	410645	Pipe holder (G30)	1	5203	ZS8193	Plate central Wok burner	1
998	ZS1646	Bezel for front left burner knob 58, bright chromed	1	5204	ZS8194	Gasket for wok burner	1
999	ZS1647	Bezel for rear left burner knob 58, bright chromed	1	5364	ZS8626	Auxiliary burner flame spreader HE2 BRASS	1
1004	ZS1652	Bezel for front right burner knob 58, bright chromed	1	5365	ZS8628	Semi-rapid burner flame spreader HE2 BRASS	1
1005	ZS1653	Bezel for rear right burner knob 58, bright chromed	1	5366	ZS8630	Rapid burner flame spreader HE2 BRASS	1
1177	ZS2217	Gasket for auxiliary burner	1	5368	ZS8633	Plate Wok burner external	1
1178	ZS2218	Gasket for semi-rapid burner	1	5369	ZS8634	Spring fixing spark plug for Wok	1
1179	ZS2219	Gasket for rapid burner	1	5370	ZS8635	Screw M4 wok burner	4
1567	ZS2923	Valved tap for auxiliary burner (bypass 0,27)	1	5371	ZS8637	Wok burner body G20/20 1,32	1
1568	ZS2924	Valved tap for rapid/fish-kettle burner	1	5372	ZS8638	Wok burner flame spreader BRASS	1
1569	ZS2925	Valved tap for semi-rapid burner	1	5401	ZS8684	Plate rapid burner HE2	1
1570	ZS2926	Valved tap for triple-ring burner	1	5402	ZS8685	Plate semi-rapid burner HE2	1

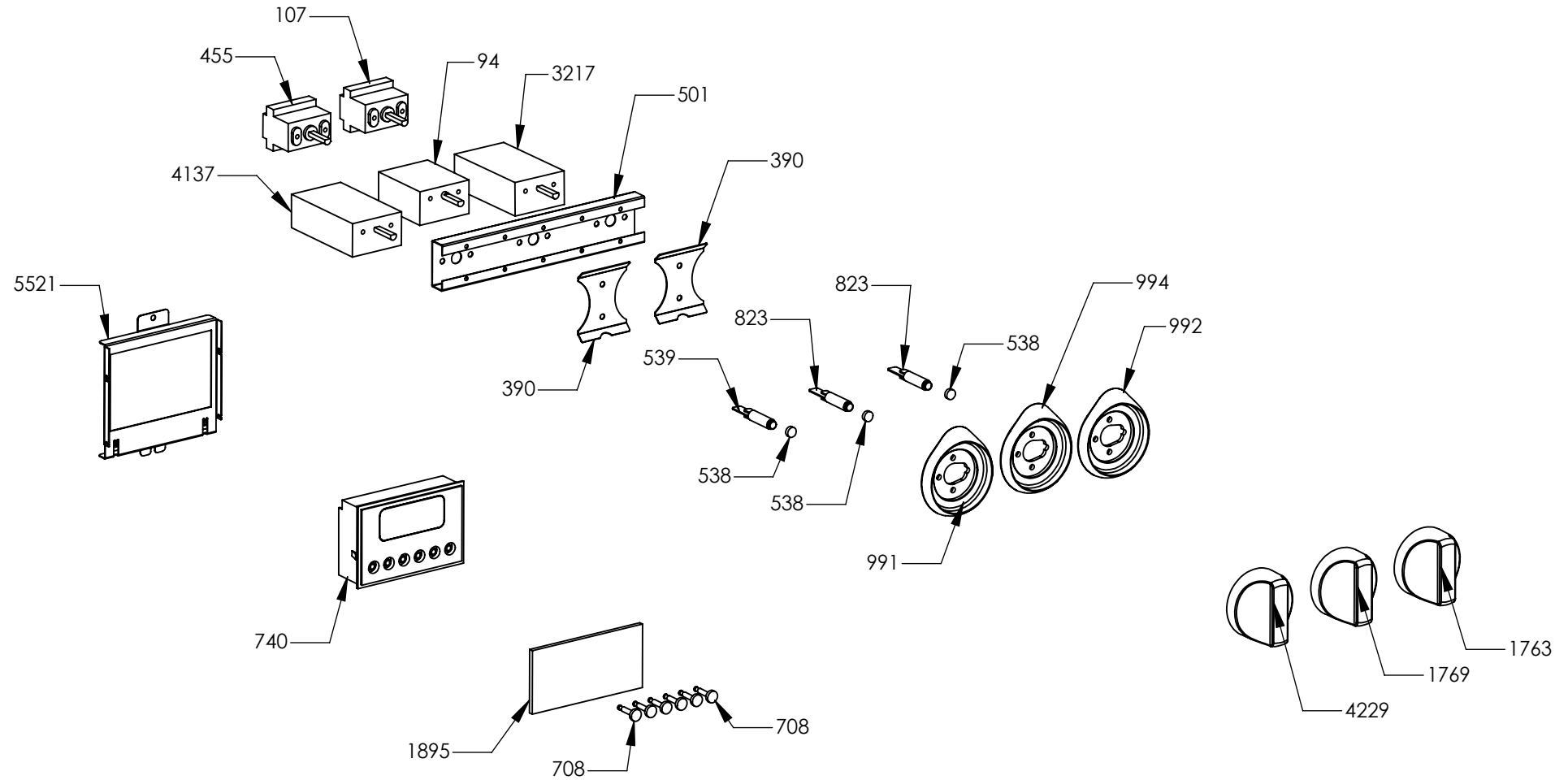
N° Object	Code	Description	Qty
5403	ZS8686	Plate auxiliary burner HE2	1
5454	ZS8831	Mega Wok burner nozzle G30/30 0.94	1
5823	ZS8645	Pins for Wok	1



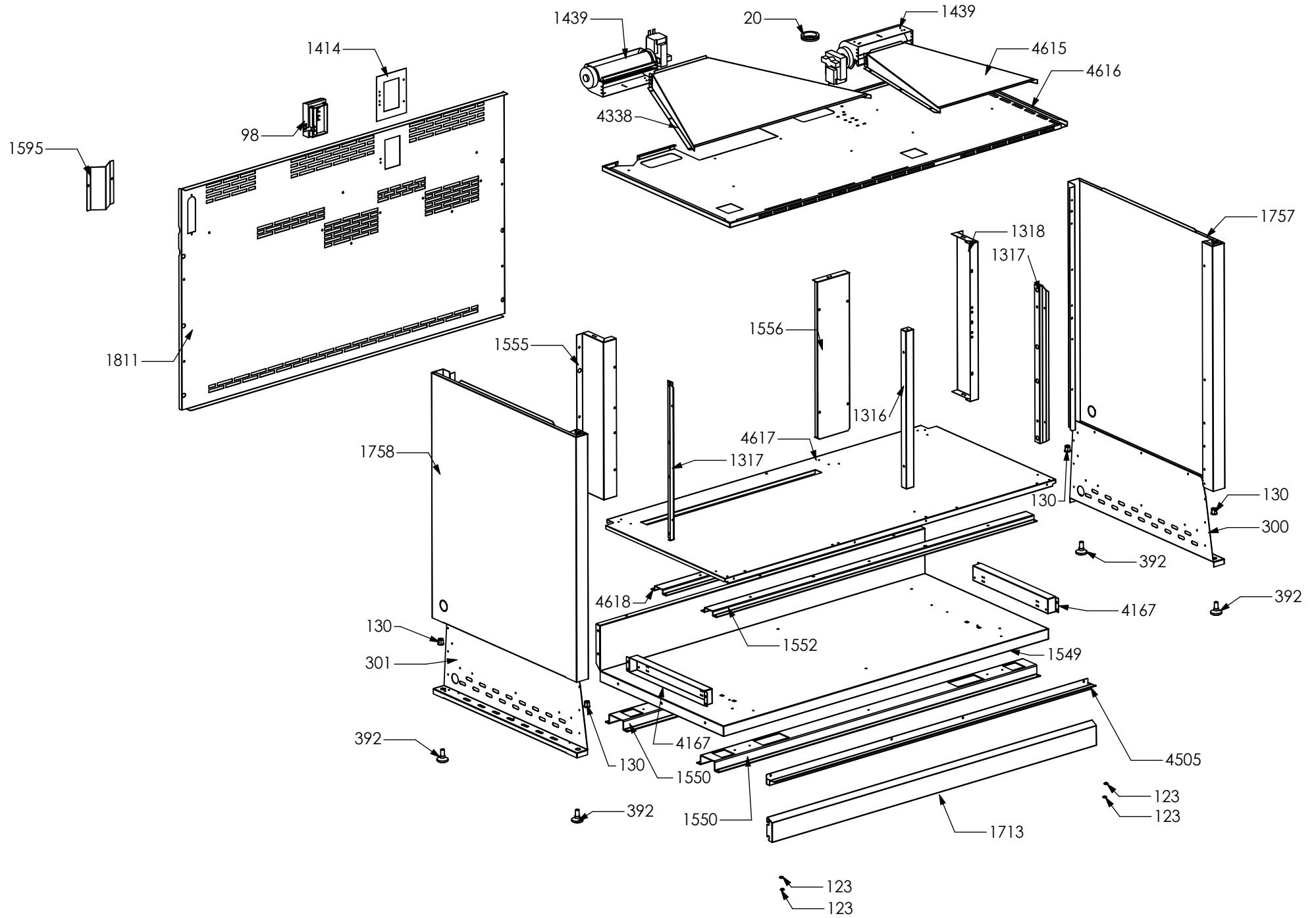
N° Object	Code	Description	Qty	N° Object	Code	Description	Qty
48	421323	Gas taps fixing bridle M60	2				
378	ZS0819	Under knob collars fixing support	2				
1567	ZS2923	Valved tap for auxiliary burner (bypass 0,27)	1				
1766	ZS3155	Knob 58 for gas burners SLT	2				
2335	ZS4181	Thermocouple SBF L=750 TC	1				
2543	601229	Spring fixing spark plug for triple ring P-4	1				
2544	ZS4186	Fixing nut for thermocouple burner 4.5	2				
2575	505241	Screw M4	2				
3696	ZS5955	Bezel for central external burner knob 58, bright chromed	1				
3697	ZS5956	Bezel for central internal burner knob 58, bright chromed	1				
3742	ZS4837	Pipe ramp for t.c. 4.5 external burner cooker	1				
3791	ZS6109	Valved tap for triple-ring burner	1				
5199	ZS8189	Mega Wok burner body G20/20 0,68 1.40	1				
5200	ZS8190	Mega Wok burner flame spreader BRASS	1				
5201	ZS8191	Wok burner spark plug sbf DCC M+G INT	1				
5202	ZS8192	Plate Mega Wok burner external	1				
5203	ZS8193	Plate central Wok burner	1				
5204	ZS8194	Gasket for wok burner	1				
5206	ZS8197	Mega Wok burner spark plug sbf DCC G EXT	1				
5207	ZS8198	Thermocouple SBF L=750 DCC	1				
5208	ZS8199	Support for thermocouple DCC	1				
5209	ZS8200	Screw M3.5x6	1				
5369	ZS8634	Spring fixing spark plug for Wok	1				
5370	ZS8635	Screw M4 wok burner	4				
5454	ZS8831	Mega Wok burner nozzle G30/30 0.94	1				
5460	ZS8837	Mega Wok burner nozzle G30/30 0.44	1				
5522	ZS8980	Gasket for Mega wok thermocouple support	1				
5915	ZA0256	Pipe ramp for t.c. 4.5 central burner cooker DCC 90/120	1				



N° Object	Code	Description	Qty
294	ZS0579	Fry-top lined cast-iron griddle	1
371	ZS0802	Commutator support 2 positions	1
379	ZS0820	Barbecue cast-iron griddle support	1
390	ZS0890	Spring for el. controls support	1
446	ZS1059	Heating element barbecue 1200/230 th.7	2
447	ZS1061	Spring for griddle heating el. support	2
538	ZS1204	Led transparent	2
539	ZS1205	Fluorescent green warning light	2
594	ZS1667	Protection frame for barbecue griddle	1
735	ZS1076	Energy regulator 230 V EGO EU	2
1002	ZS1650	Bezel for rear central right burner knob 58, bright chromed	1
1003	ZS1651	Bezel for front central right burner knob 58, bright chromed	1
1192	ZS0553	Fry-top/barbecue stainless steel covering	1
1768	ZS3157	Knob 58 single heating element SLT	2

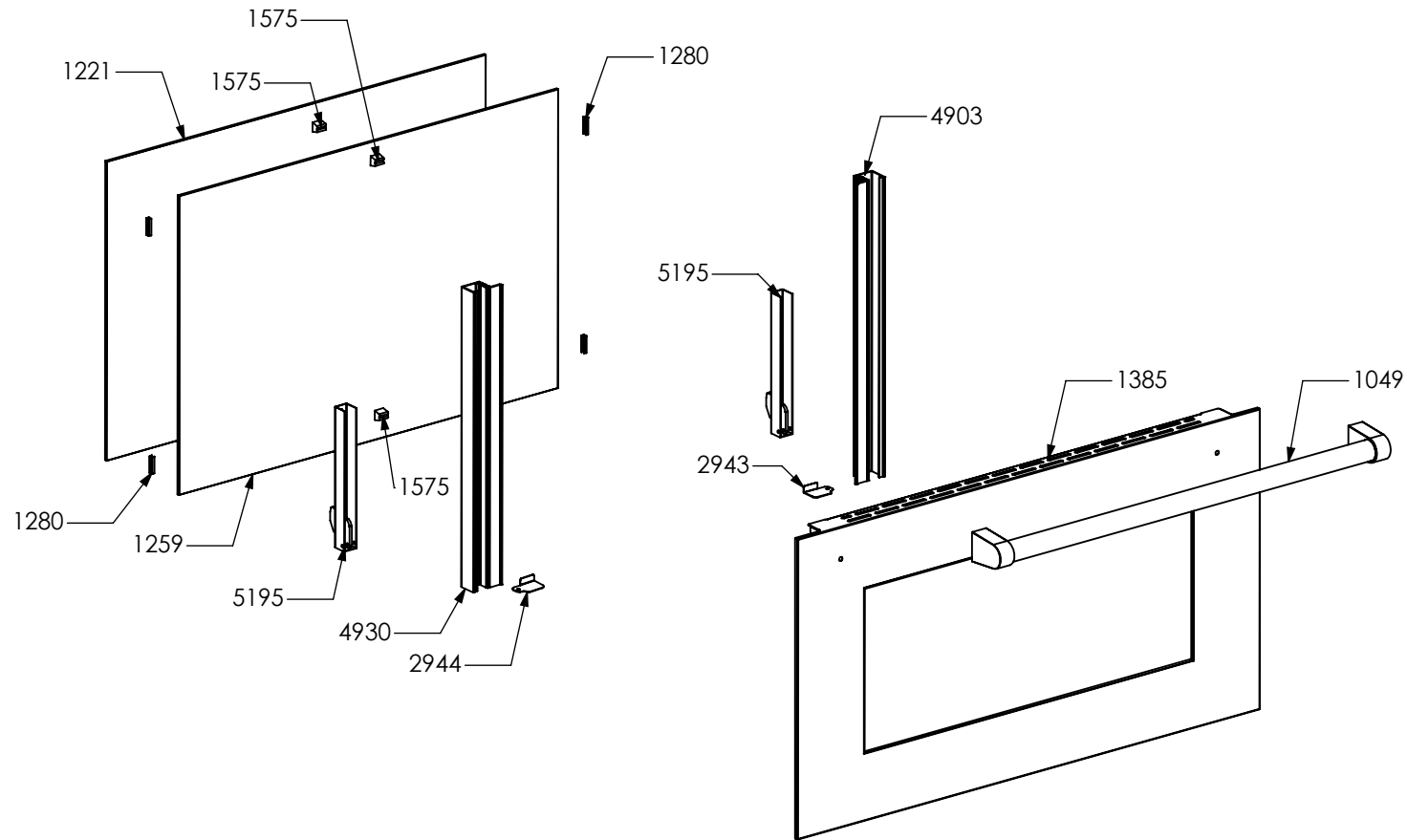


N° Object	Code	Description	Qty
94	481814	Commutator multif. for 90 built-in oven(no pizza)	1
107	482120	Thermostat cooker 192	1
390	ZS0890	Spring for el. controls support	2
455	ZS1075	Oven thermostat	1
501	ZS1136	Commutator support 3 positions	1
538	ZS1204	Led transparent	3
539	ZS1205	Fluorescent green warning light	1
708	ZS1916	Knob for timer steel-colour 988	6
740	ZS1747	Timer (blue led) 50 Hz	1
823	ZS1755	Fluorescent orange warning light	2
991	ZS1639	Bezel for main oven functions knob 58, bright chromed	1
992	ZS1640	Bezel for 30 oven functions knob 58, bright chromed	1
994	ZS1642	Bezel for oven temperature knob 58, bright chrome	1
1763	ZS3152	Knob 58 oven 30 functions SLT	1
1769	ZS3158	Knob 58 for oven temperature SLT	1
1895	ZS3652	Glass lcd 6 button no hole	1
3217	ZS4568	Commutator oven functions 30 EGO	1
4137	ZS6655	Steam oven functions switch	1
4229	ZS6321	Knob 58 main oven steam functions SLT	1
5521	ZS6139	Electrical display support	1

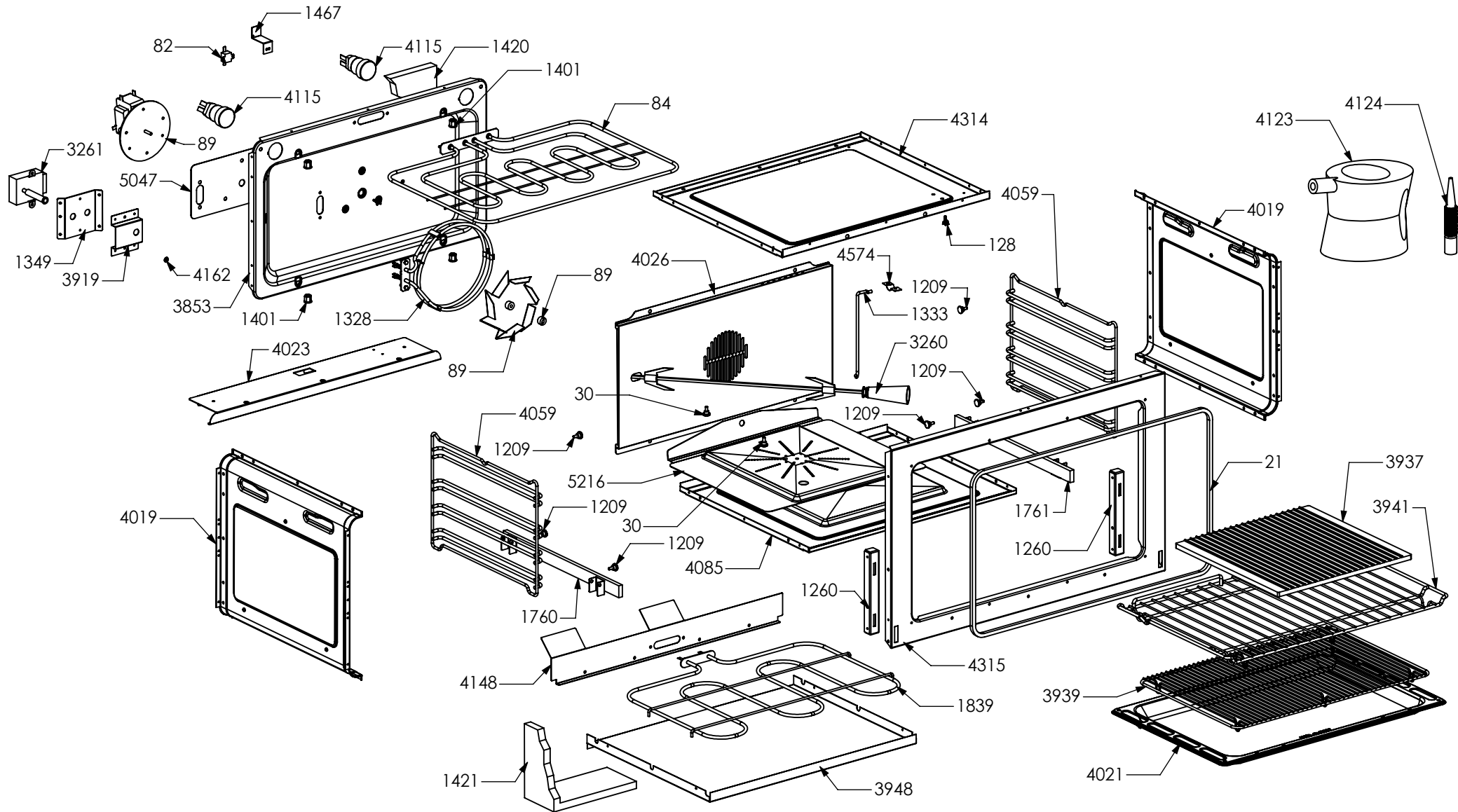


N° Object	Code	Description	Qty	N° Object	Code	Description	Qty
20	401520	Black cap for glass front panel	2	4617	ZS6969	Drawer upper guard for cooker 120 double oven	1
98	481913	Terminal board for oven 32 PA 233	1	4618	ZS6970	Reinforcement for ceiling drawer cooker 120 double oven 04	1
123	541011	Spacer washer for built-in oven	4				
300	GR0591	Assembly complete lower reinforcement right side	1				
130	601156	Tapping screw M10 galvanized	2				
301	GR0592	Assembly complete lower reinforcement left side	1				
130	601156	Tapping screw M10 galvanized	2				
392	ZS0903	Sintesi black foot H.15	4				
1316	ZS2474	Front central muffle support cooker 100/120 double oven	1				
1317	ZS2475	Front support for muffle left/right side 100/120 double/triple oven cooker	2				
1318	ZS2477	Rear support for muffle left/right side cooker 100 double/triple oven	1				
1414	ZS2601	Terminal board support	1				
1439	ZS2663	Cooling fan L=180 Plaset (AU)	2				
1549	ZS2905	Lower guard for cooker 120 double oven 04	1				
1550	ZS2906	Reinforcement for lower guard cooker 120 double oven 04	2				
1552	ZS2908	Reinforcement for ceiling drawer cooker 120 double oven 04	1				
1555	ZS2911	Rear support for muffle left side oven 90/120 double oven	1				
1556	ZS2912	Rear central support for muffle cooker 120 double oven	1				
1595	ZS2938	Ramp hole closing plate	1				
1713	ZS3264	Plinth for cooker 120	1				
1757	ZS3016	Complete lower right side panel	1				
1758	ZS3018	Complete lower left side panel	1				
1811	ZS3386	Rear guard for cooker 120 double oven extended 62.5 06	1				
4167	ZS6684	Spacer for drawer guide	2				
4338	ZS6907	Air conveyor for cooktop 090/120 SF	1				
4505	ZS7051	Bracket condensate collection for 120 DC Steam	1				
4615	ZS6967	Air conveyor for cooktop 030/120 double oven	1				
4616	ZS6968	Muffle fan guard cooker 120/120 double oven	1				

2603

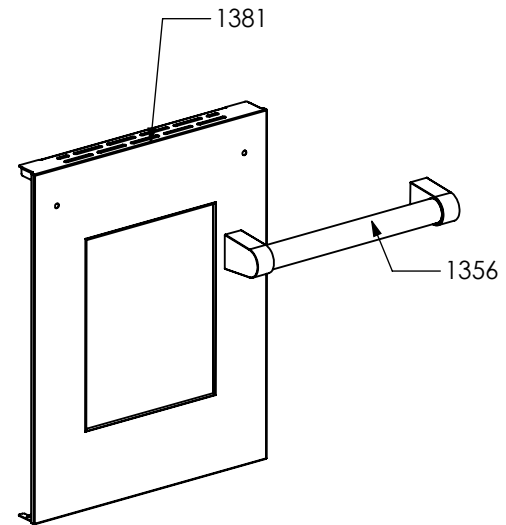
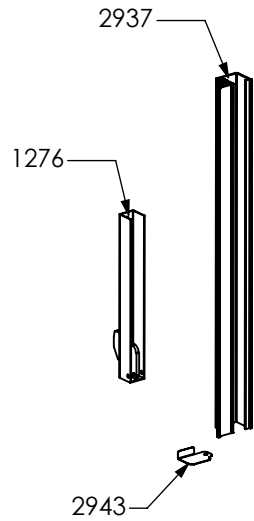
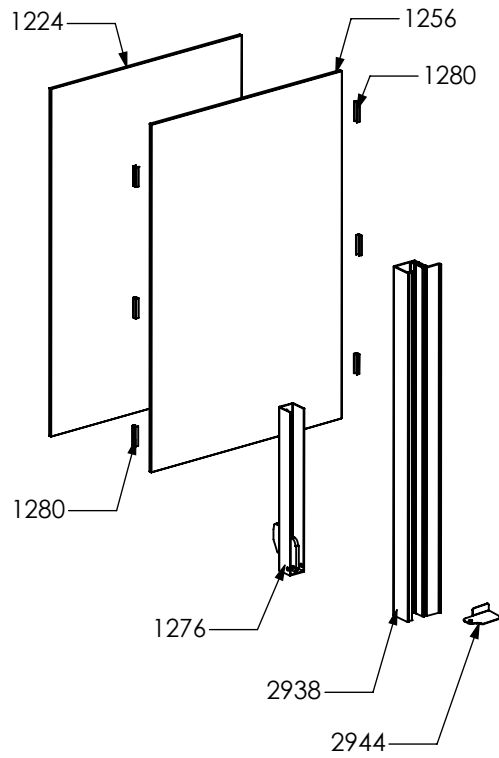


N° Object	Code	Description	Qty
2603	GR2554	Assembly glued oven door 90/120 double oven	1
4903	GR7666	Assembly door 30/60/90 right bar profile 15	1
4930	GR8097	Assembly door 30/60/90 left bar profile 15	1
1049	ZS2131	Door oven handle for oven 90 chromed SLT cooker 90/120	1
1221	ZS2307	Inner glass oven door 90	1
1259	ZS2394	In-between glass oven door 90 04	1
1280	ZS2419	Spring for door glass assembling 04	4
1385	ZS2554	Glued external oven door 90/120 double oven	1
1575	ZS2931	Spacer between glasses	4
2943	ZS4746	Right support for inner glass	1
2944	ZS4747	Left support for inner glass	1
5195	ZS8180	Door hinge for oven 90	2

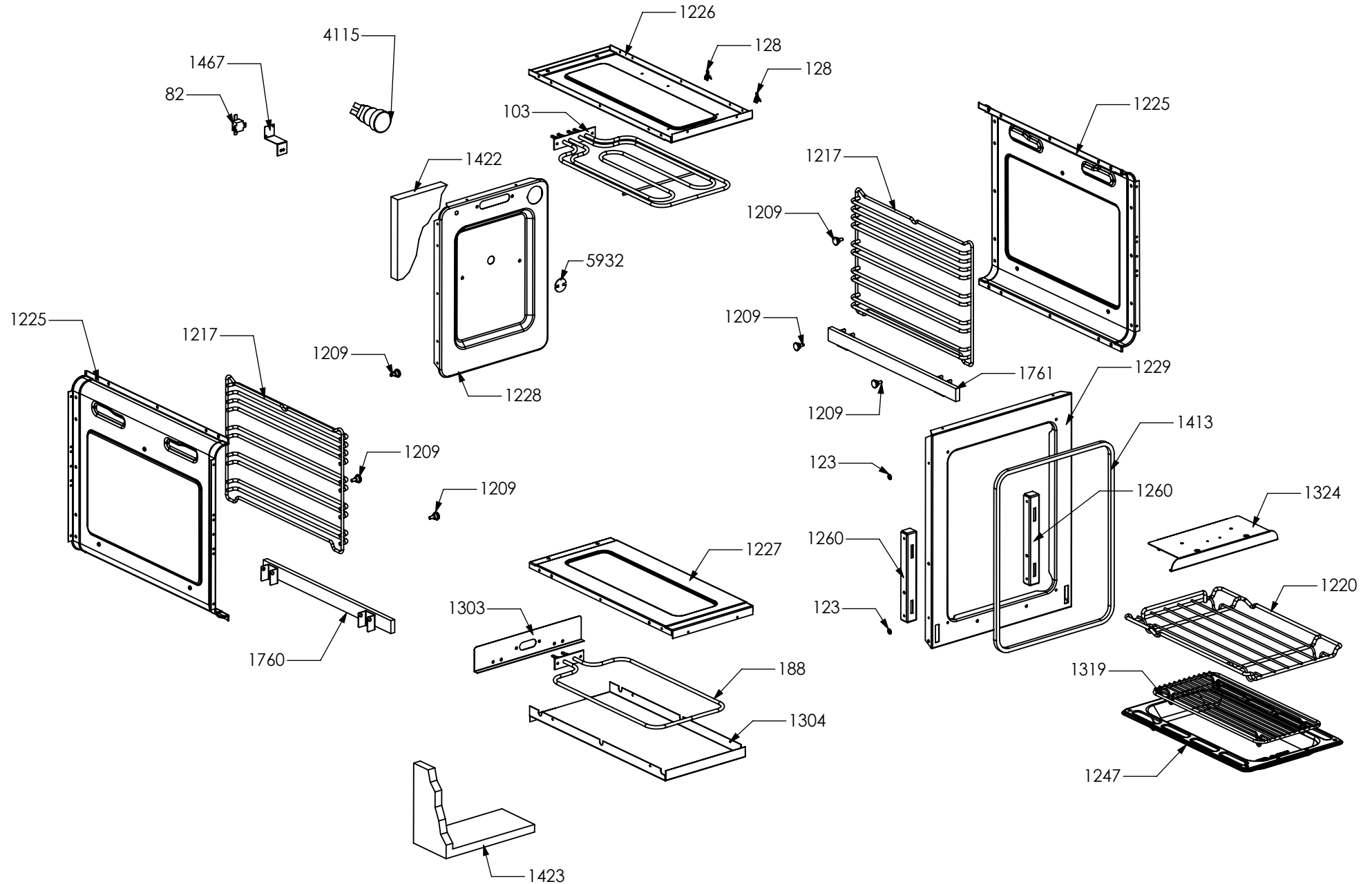


N° Object	Code	Description	Qty	N° Object	Code	Description	Qty
21	401638	Gasket oven 90	1	4023	ZS6245	Grill heating element support for muffle oven 90 S.Steel	1
30	411213	Lateral frame support for built-in oven	2	4026	ZS6248	Fan cover for oven 90 with turnspit hole S.STEEL	1
82	481403	Thermoswitch 16 Ampere	1	4059	ZS6034	Oven lateral frame 30/60/90 S.Steel	2
84	481589	Grill heating element for oven 90	1	4085	ZS6543	Complete muffle bottom for oven 90 S.Steel Steam	1
89	481727	Circular tangential oven 90 fan (AU) with fan and nut	1	4115	ZS6631	Complete Lamp-holder for oven (max 25 W)	2
128	601152	Spring fixing feeler for built-in oven	2	4123	ZS6653	Carafe graduate 0.5	1
1209	414559	Lateral frame support for built-in oven	6	4124	ZS6654	Steam flexible pipe	1
1260	ZS2395	Hinge support 06	2	4148	ZS6380	Lower heating elem.support oven 90	1
1328	482325	Circular heating element 230V-2500W	1	4162	ZS6679	O-ring 3021 viton	1
1333	ZS2289	Support for grillrod 60/90	1	4314	ZS6548	Complete Stainless Steel muffle ceiling oven 90	1
1349	ZS2499	Fixing support for turnspit motor oven 60/90	1	4315	ZS6549	S.Steel muffle front side oven 90 complete	1
1420	ZS2625	White glass wool for rear side 90 oven	1	4574	ZS6005	Fixing support for turnspit motor oven 60/90	1
1421	ZS2626	White glass wool for 90 oven 04	1	5047	ZS7807	Reinforce fan cover for oven 90 with turnspit hole S.STEEL	1
1467	ZS2604	Support for safety thermostat 04	1	5216	ZS8229	Steam generator cover 90	1
1760	ZS3078	Telescopic liner left	1				
1761	ZS3079	Telescopic liner right	1				
1839	ZS3082	Lower heating element for oven 90 (1400 W)	1				
3260	ZS5175	Turnspit for oven 90 (4 forks + handle) - 04	1				
3261	ZS5236	Turnspit motor reducer 50/60 Hz	1				
3853	GR6226	Assembly rear muffle oven 90 S.steel TDL	1				
1401	ZS2585	Tapping screw M5 aluminium	4				
3919	ZS6002	Reinforce for fixing support for turnspit motor oven 60/90	1				
3937	ZS6339	Ceramic tiles for oven	1				
3939	ZS6341	S.steel Trivet for oven 90	1				
3941	ZS6343	S.steel wire grid for oven 90	2				
3948	ZS6379	Lower heating element tray oven 90	1				
4019	ZS6222	Side muffle oven 30/60/90 S.Steel TDL	2				
4021	ZS7595	Drip tray for oven 90 S.Steel TDL	1				

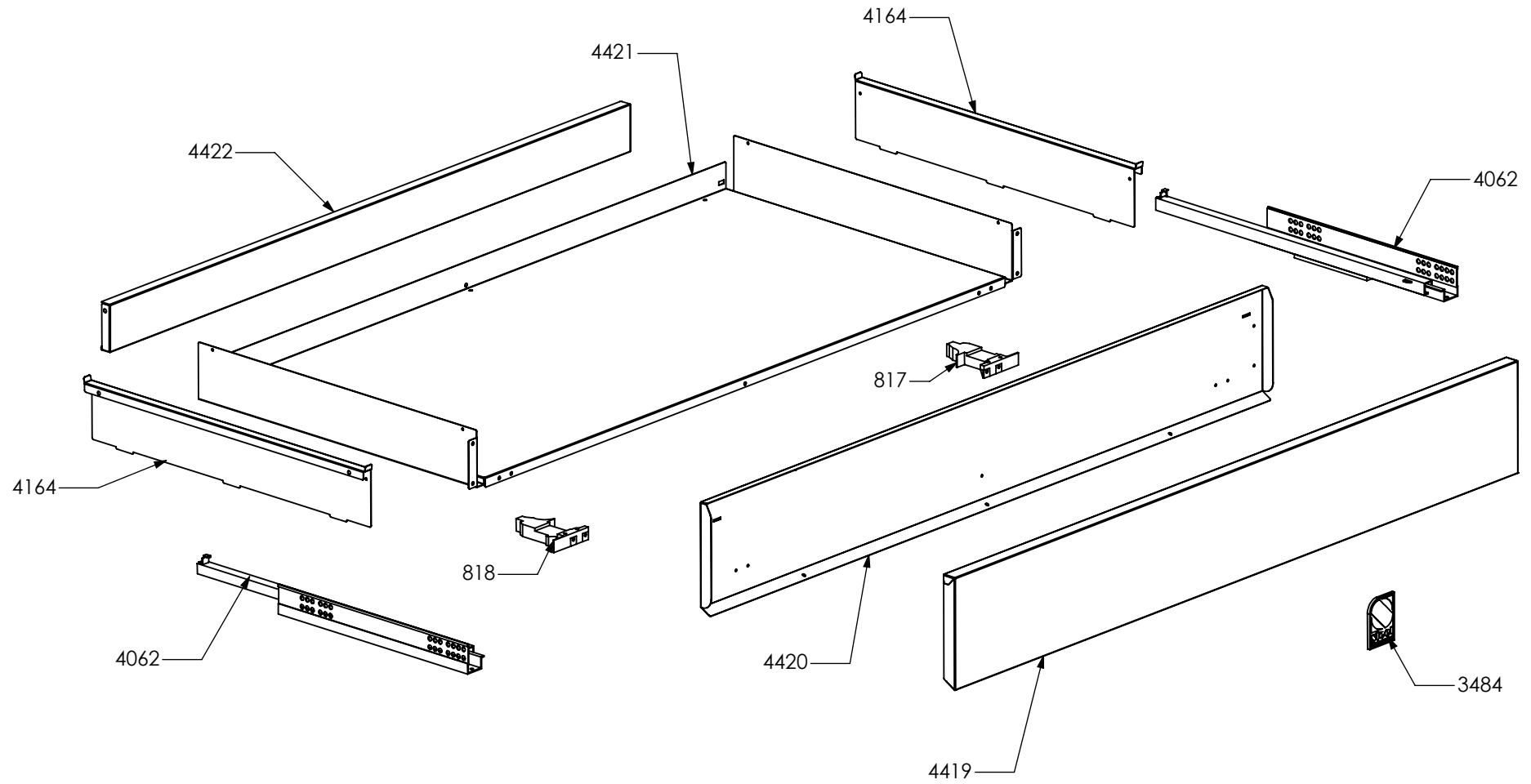
2599



N° Object	Code	Description	Qty
2599	GR2546	Assembly glued oven door 30	1
2937	GR4313	Assembly door 30/60/90 right bar profile 07	1
2938	GR4314	Assembly door 30/60/90 left bar profile 07	1
1224	ZS2311	Inner glass oven door 30	1
1256	ZS2390	In-between glass oven door 30 04	1
1276	ZS2413	Door hinge for oven 30	2
1280	ZS2419	Spring for door glass assembling 04	6
1356	ZS2507	Door oven handle for oven 30 chromed SLT	1
1381	ZS2546	Glued external oven door 30 KL	1
2943	ZS4746	Right support for inner glass	1
2944	ZS4747	Left support for inner glass	1



N° Object	Code	Description	Qty	N° Object	Code	Description	Qty
82	481403	Thermoswitch 16 Ampere	1				
103	482072	Upper heating element cooker	1				
123	541011	Spacer washer for built-in oven	2				
128	601152	Spring fixing feeler for built-in oven	2				
188	ZS7653	Lower heating element for oven 30	1				
1209	414559	Lateral frame support for built-in oven	6				
1217	ZS2283	Oven lateral frame 30/60/90	2				
1220	ZS2287	Chromed wire grid for oven 30	1				
1225	ZS2312	Side muffle oven 30/60/90 enamelled 04	2				
1226	ZS2314	Enamelled muffle ceiling oven 30	1				
1227	ZS2316	Enamelled muffle bottom for oven 30	1				
1228	ZS2318	Muffle rear side oven 30 enamelled 04	1				
1229	ZS2320	Enamelled muffle front side oven 30	1				
1247	ZS2362	Enamelled drip tray for oven 30	1				
1260	ZS2395	Hinge support 06	2				
1303	ZS2454	Lower heating elem.support oven 30 04	1				
1304	ZS2455	Lower heating element tray oven 30 04	1				
1319	ZS2488	Trivet for oven 30 04	1				
1324	ZS2494	Grill heating element support for muffle oven 30 enamelled 04	1				
1413	ZS2599	Gasket oven 30 04	1				
1422	ZS2627	White glass wool for rear side 30 oven 04	1				
1423	ZS2628	White glass wool for 30 oven 04	1				
1467	ZS2604	Support for safety thermostat 04	1				
1760	ZS3078	Telescopic liner left	1				
1761	ZS3079	Telescopic liner right	1				
4115	ZS6631	Complete Lamp-holder for oven (max 25 W)	1				
5932	ZP0119	Turnspit hole cap	1				



N° Object	Code	Description	Qty
817	ZS0458	Drawer right regulation clip	1
818	ZS0459	Drawer left regulation clip	1
3484	ZS5647	"Steel - Stile in cucina" plate	1
4062	ZS6372	Couple legobox rails partial opening push pull	1
4164	ZS6681	Drawer lateral side for cooker S.Steel	2
4419	ZS6823	Drawer door cooker 120 DC SF S.Steel	1
4420	ZS6824	Counterdoor drawer cooker 120 DC SF	1
4421	ZS6825	Bottom drawer for cooker 120 DC S.Steel	1
4422	ZS6826	Drawer rear side for cooker 120 double oven S.Steel	1

N° Object	Code	Description	Qty
132	ZS5148	Adhesive tape 16,5 m x 19h (3M)	160
725	601108	Anti-overturning device	0,3
1210	ZS5149	Adhesive tape 33 mt x 17h mm x th 0,6 mm (3M 4930)	20
1586	ZS2770	Additional wiring generic L=75 cm Fem Fem	2
2205	ZS3753	Tapping screw M5 s.steel	2
3740	ZS3397	Additional wiring ground L=10 Party cm Fem Fem	2
4657	ZS7303	Wiring diagram for cooker S12SF-6B/T	1
5050	ZS7813	Instruction booklet Top/Cooker Multilanguage	1
5212	ZS8219	Aluminium adhesive badge "CombiSteam"	1
5357	ZS8592	Instruction booklet Combi Steam oven Steel	1