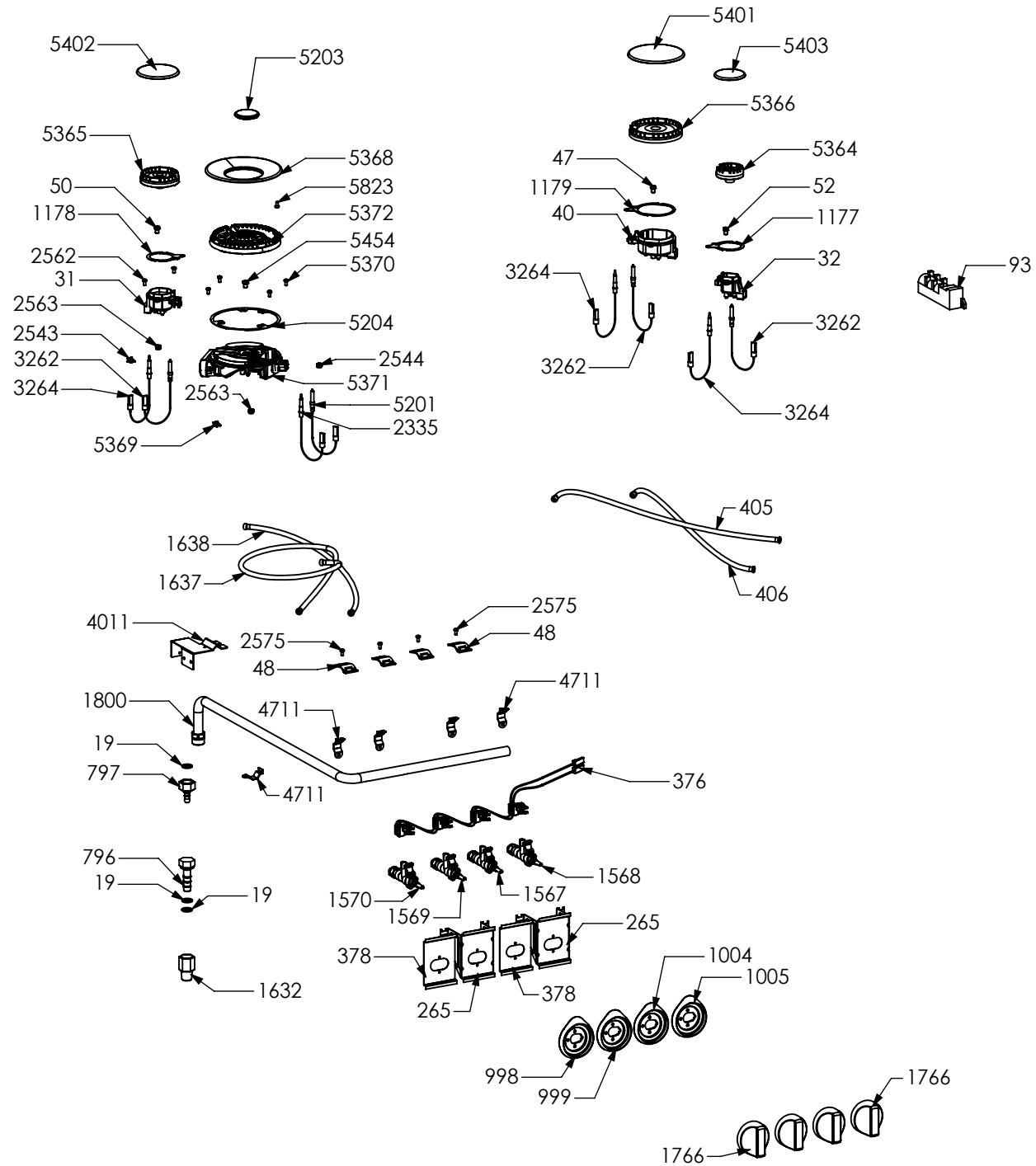
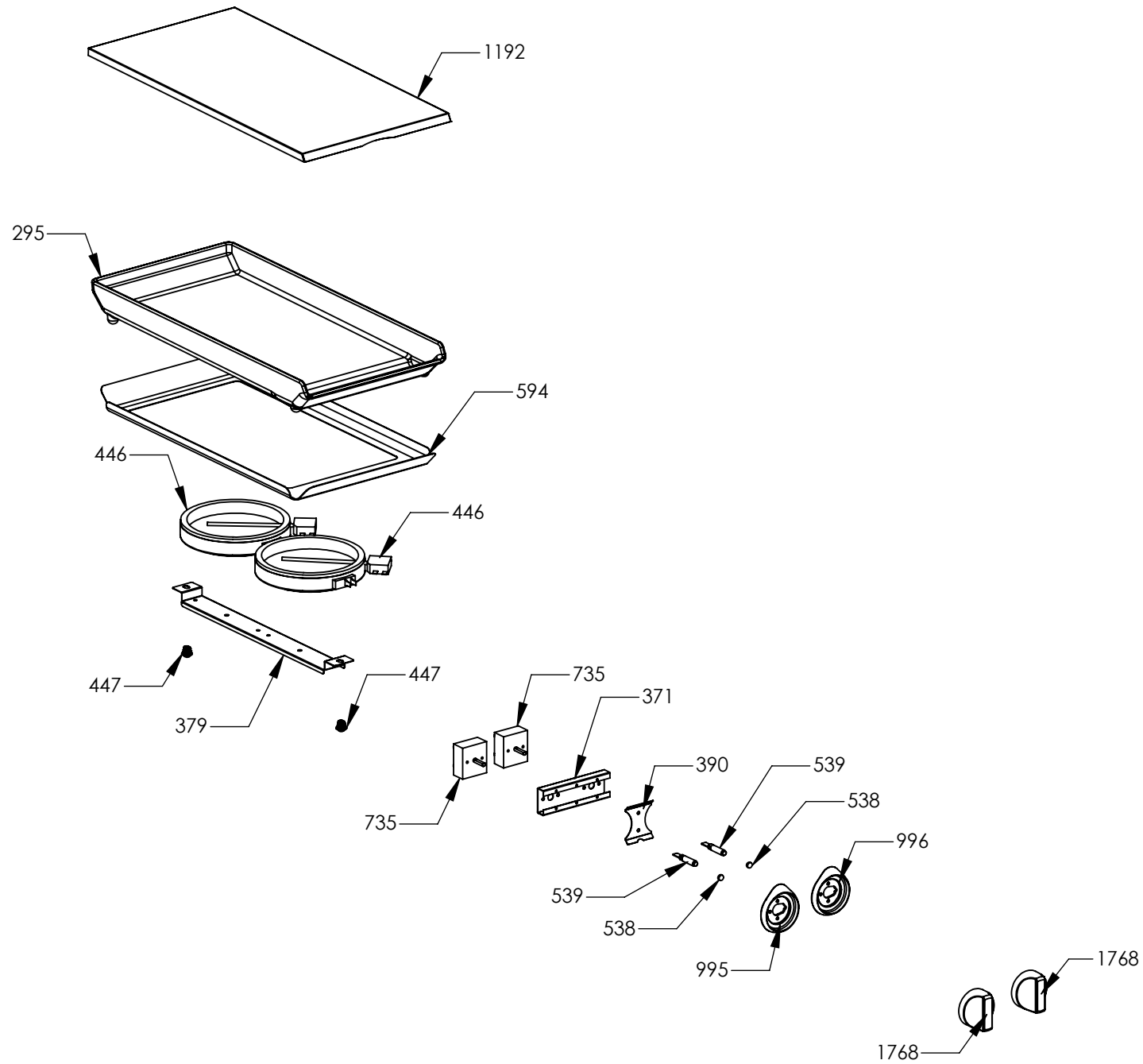


N° Object	Code	Description	Qty
268	ZS0511	Cast-iron grid 2 burners Sintesi	2
731	ZS0565	Cast-iron grid for wok	1
794	ZS1058	Vitroglass for fry-top/barbecue	1
1014	ZS2026	Thermostat TY60 N.O. fixing B	1
1023	ZS2093	Sintesi upper right side clamp 62.5 extended	1
1024	ZS2094	Sintesi upper left side clamp 62.5 extended	1
1058	GR2147	Assembly frontal bar profile top 90 polished	1
1061	ZS2163	Blocking device for frontal bar profile top SLT	2
1612	ZS3020	Support for connection top-base	2
1667	ZS3012	Upper lateral panel right side	1
1668	ZS3014	Upper lateral panel left side	1
4988	GR8721	Assembly cooktop cooker 90 4 burners/barbecue DCC	1
1441	ZS2665	Support for fan timelag device	1
5503	ZS6140	Display support	1
5775	ZS3931	Rear side closing 090 cooker	1
5842	ZS8867	Rear side closing 090/100/120 cooker inside	1

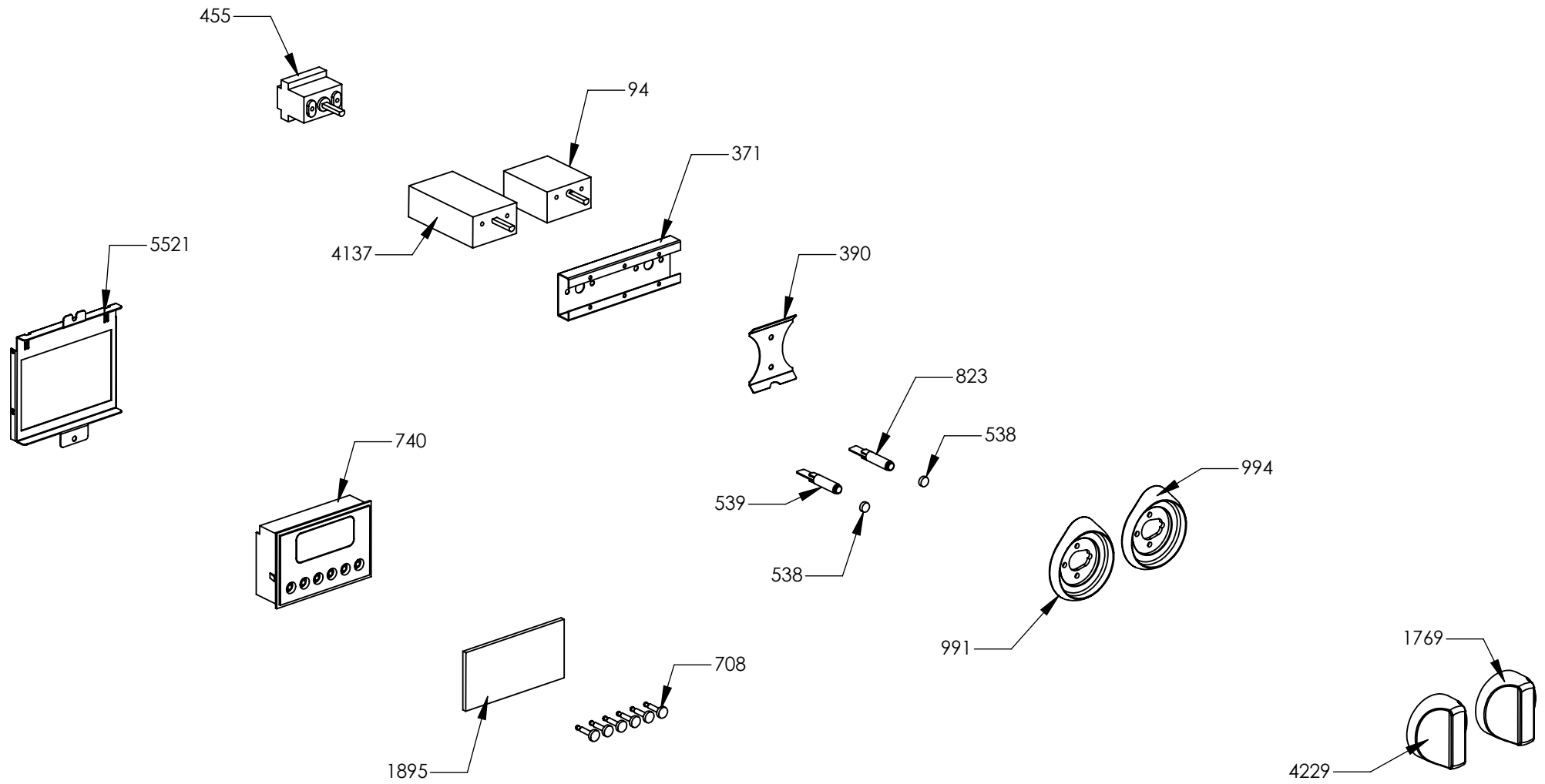


N° Object	Code	Description	Qty	N° Object	Code	Description	Qty
19	400689	Gasket gas inlet	3	1637	ZS3058	Pipe ramp for front left triple ring burner cooker 90 05	1
31	414121	Semi-rapid burner body G20 0,97	1	1638	ZS3059	Pipe ramp for rear left semi-rapid burner cooker 90 05	1
32	414123	Auxiliary burner body G20 0,72	1	1766	ZS3155	Knob 58 for gas burners SLT	4
40	414212	Rapid burner body G20 1,15	1	1800	ZS3372	Ramp 4 burners cooker 090/100 double oven extended 62.5 06	1
47	421312	Rapid burner nozzle G30/31 29/37 mbar 0,85	1	2335	ZS4181	Thermocouple SBF L=750 TC	1
48	421323	Gas taps fixing bridle M60	4	2543	601229	Spring fixing spark plug for triple ring P-4	1
50	423948	Semi-rapid burner nozzle G30/31 0,65	1	2544	ZS4186	Fixing nut for thermocouple burner 4.5	1
52	423951	Auxiliary burner nozzle G30/30 0,50	1	2562	506037	Screw M3x8 TC s.steel	6
93	481787	Ignition system 4 flames	1	2563	ZS0907	Fixing nut for themocouple	3
265	ZS0504	Ramp fixing support	2	2575	505241	Screw M4	4
376	ZS0813	Micro catenary for 4 burners	1	3262	ZS5270	Burner spark plug Cast	3
378	ZS0819	Under knob collars fixing support	2	3264	ZS5272	Thermocouple Cast L=770	3
405	ZS0971	Pipe ramp for rear right auxiliary burner cooker 090 barbecue/fryer	1	4011	ZS6185	Rear ramp fixing support cooker 90/120	1
406	ZS0972	Pipe ramp for front right auxiliary burner cooker 090 barbecue/fryer	1	4711	ZS6772	Clamp support for main ramp	5
796	410610	Pipe holder (G20)IT	1	5201	ZS8191	Wok burner spark plug sbf DCC M+G INT	1
797	410645	Pipe holder (G30)	1	5203	ZS8193	Plate central Wok burner	1
998	ZS1646	Bezel for front left burner knob 58, bright chromed	1	5204	ZS8194	Gasket for wok burner	1
999	ZS1647	Bezel for rear left burner knob 58, bright chromed	1	5364	ZS8626	Auxiliary burner flame spreader HE2 BRASS	1
1004	ZS1652	Bezel for front right burner knob 58, bright chromed	1	5365	ZS8628	Semi-rapid burner flame spreader HE2 BRASS	1
1005	ZS1653	Bezel for rear right burner knob 58, bright chromed	1	5366	ZS8630	Rapid burner flame spreader HE2 BRASS	1
1177	ZS2217	Gasket for auxiliary burner	1	5368	ZS8633	Plate Wok burner external	1
1178	ZS2218	Gasket for semi-rapid burner	1	5369	ZS8634	Spring fixing spark plug for Wok	1
1179	ZS2219	Gasket for rapid burner	1	5370	ZS8635	Screw M4 wok burner	4
1567	ZS2923	Valved tap for auxiliary burner (bypass 0,27)	1	5371	ZS8637	Wok burner body G20/20 1,32	1
1568	ZS2924	Valved tap for rapid/fish-kettle burner	1	5372	ZS8638	Wok burner flame spreader BRASS	1
1569	ZS2925	Valved tap for semi-rapid burner	1	5401	ZS8684	Rapid spreader cap HE2	1
1570	ZS2926	Valved tap for triple-ring burner	1	5402	ZS8685	Semi-rapid spreader cap HE2	1
1632	ZS3021	Adapter female-male 1/2 BSP 04	1	5403	ZS8686	Auxiliary spreader cap HE2	1

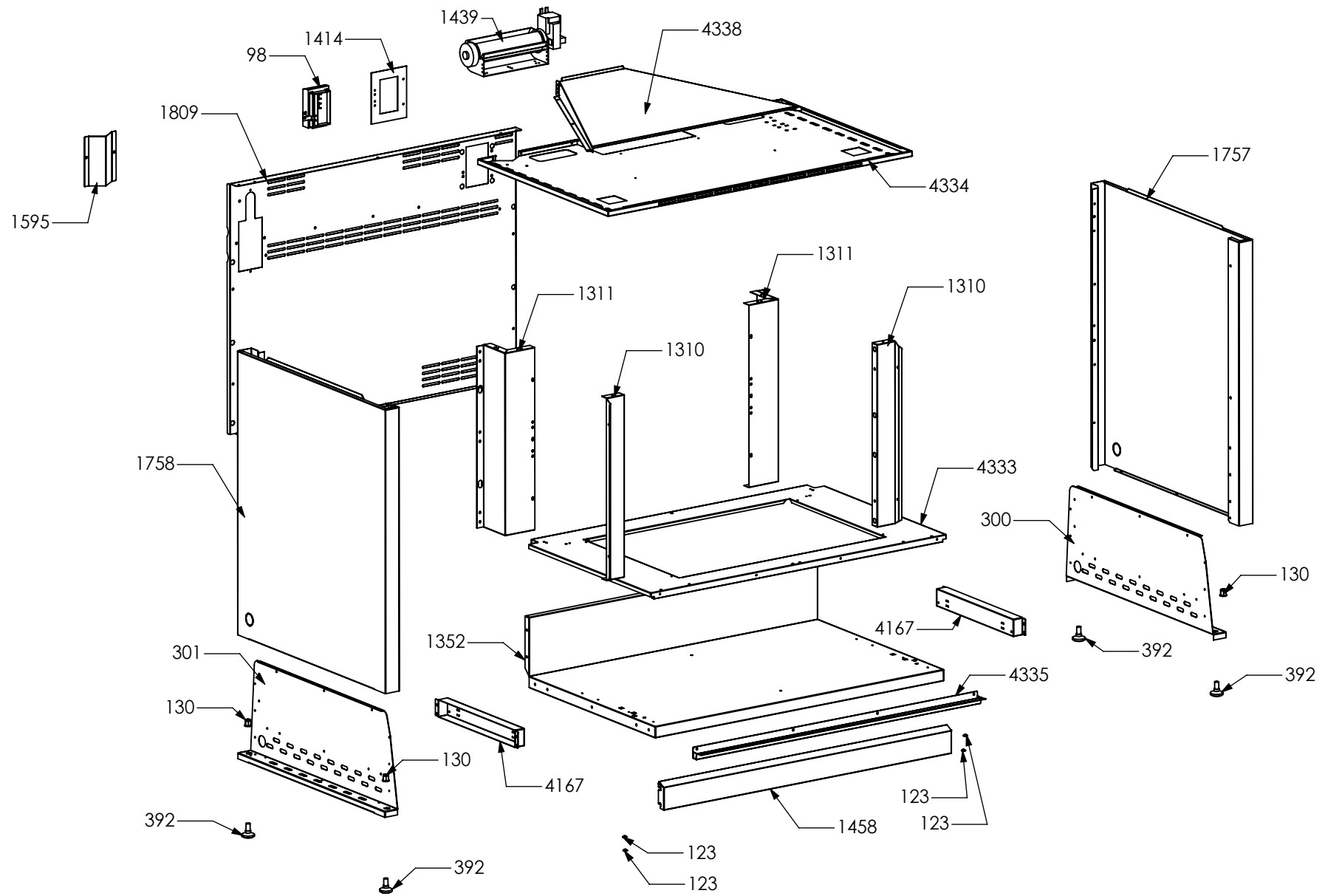
N° Object	Code	Description	Qty
5454	ZS8831	Mega Wok burner nozzle G30/30 0.94	1
5823	ZS8645	Pins for Wok	1



N° Object	Code	Description	Qty
295	ZS0580	Fry-top cast-iron griddle	1
371	ZS0802	Commutator support 2 controls	1
379	ZS0820	Barbecue cast-iron griddle support	1
390	ZS0890	Spring for el. controls support	1
446	ZS1059	Heating element barbecue 1200/230 th.7	2
447	ZS1061	Spring for griddle heating el. support	2
538	ZS1204	Led transparent	2
539	ZS1205	Fluorescent green warning light	2
594	ZS1667	Protection frame for barbecue griddle	1
735	ZS1076	Energy regulator 230 V EGO EU	2
995	ZS1643	Bezel for front central burner knob 58, bright chromed	1
996	ZS1644	Bezel for rear central burner knob 58, bright chromed	1
1192	ZS0553	Fry-top/barbecue stainless steel covering	1
1768	ZS3157	Knob 58 single heating element SLT	2

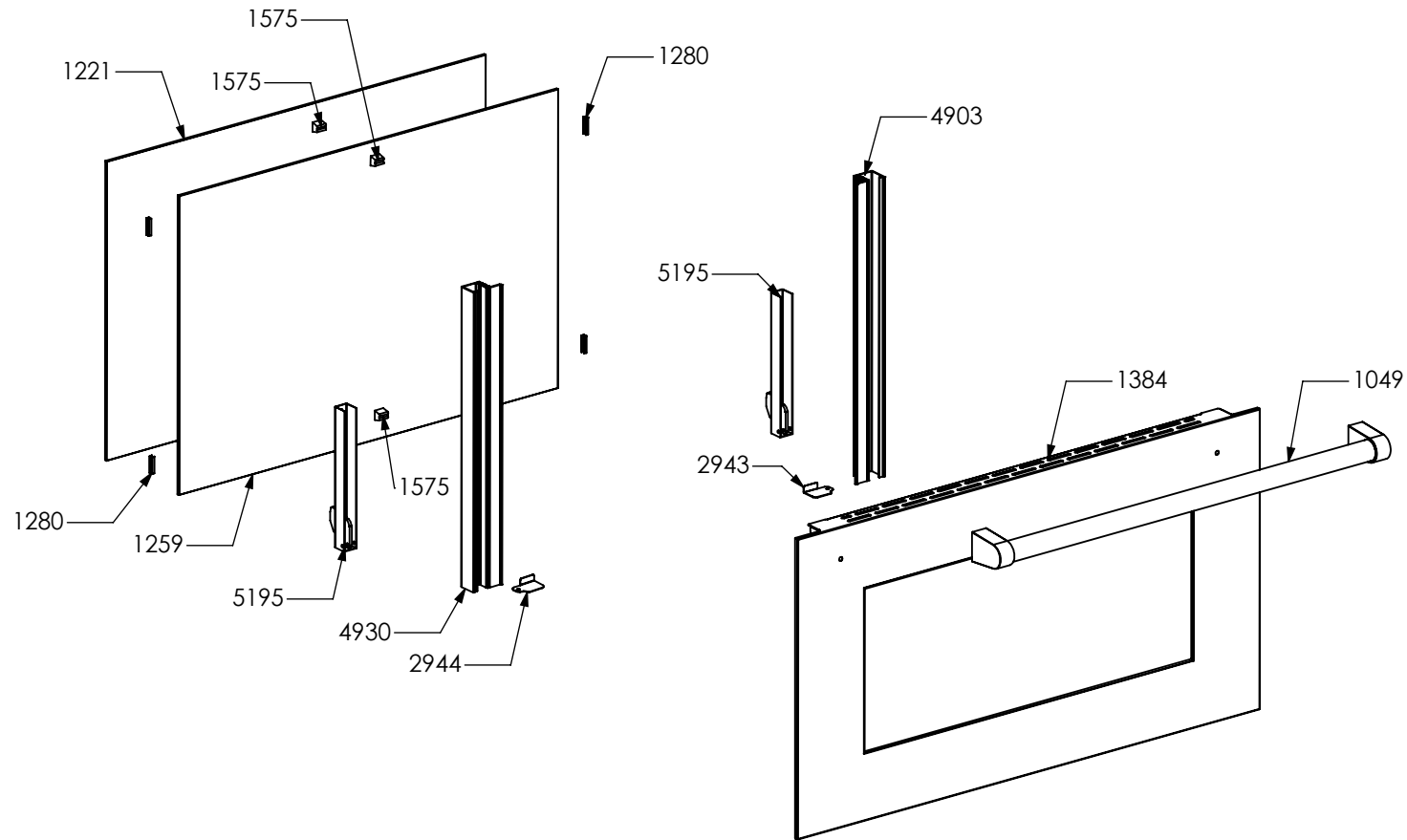


N° Object	Code	Description	Qty
94	481814	Commutator multif. for 90 built-in oven(no pizza)	1
371	ZS0802	Commutator support 2 controls	1
390	ZS0890	Spring for el. controls support	1
455	ZS1075	Oven thermostat	1
538	ZS1204	Led transparent	2
539	ZS1205	Fluorescent green warning light	1
708	ZS1916	Knob for timer steel-colour 988	6
740	ZS1747	Timer (blue led) 50 Hz	1
823	ZS1755	Fluorescent orange warning light	1
991	ZS1639	Bezel for main oven functions knob 58, bright chromed	1
994	ZS1642	Bezel for oven temperature knob 58, bright chrome	1
1769	ZS3158	Knob 58 for oven temperature SLT	1
1895	ZS3652	Glass lcd 6 button no hole	1
4137	ZS6655	Steam oven functions switch	1
4229	ZS6321	Knob 58 main oven steam functions SLT	1
5521	ZS6139	Electrical display support	1

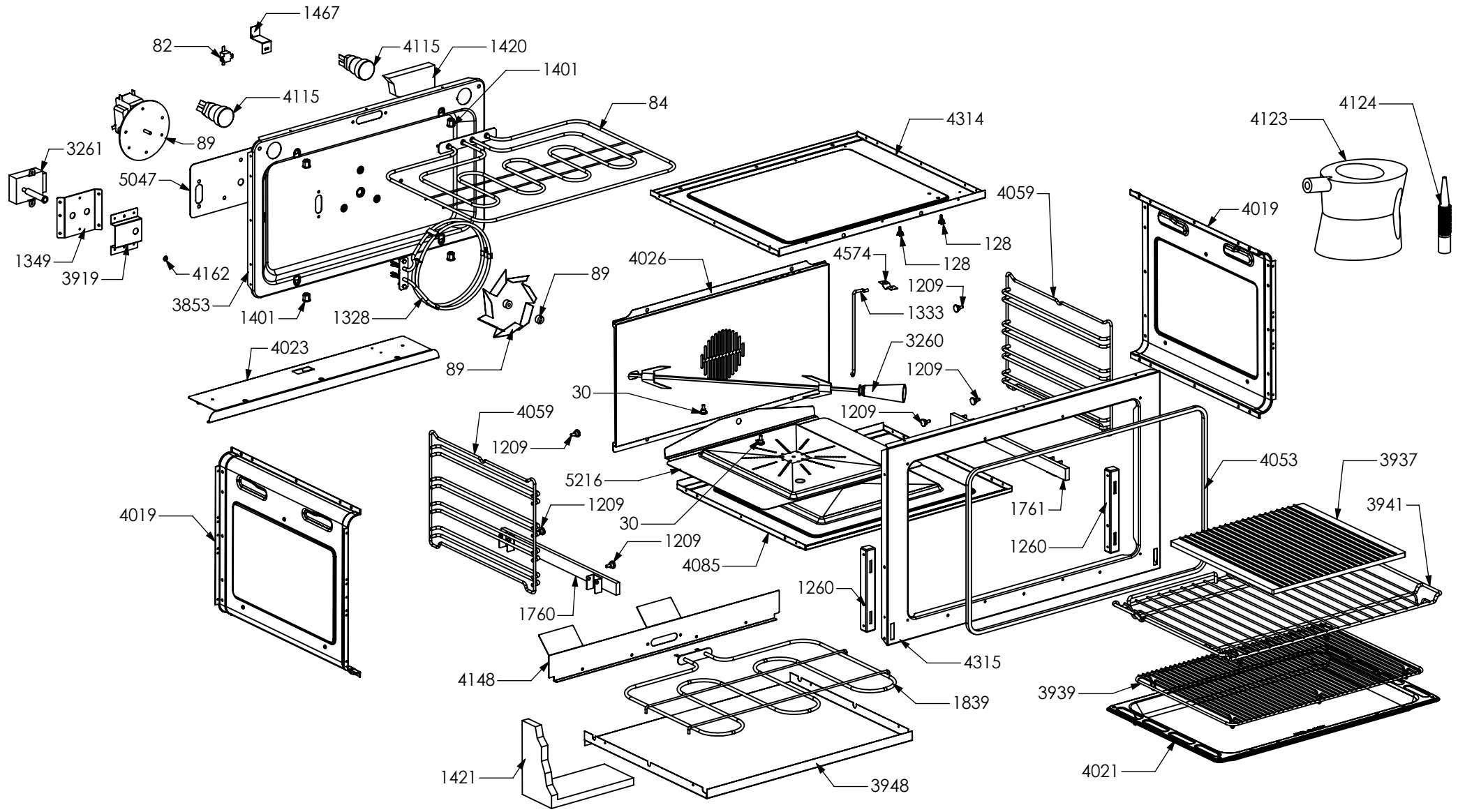


N° Object	Code	Description	Qty
98	481913	Terminal board for oven 32 PA 233	1
123	541011	Spacer washer for built-in oven	4
300	GR0591	Assembly complete lower reinforcement right side	1
130	601156	Tapping screw M10 galvanized	2
301	GR0592	Assembly complete lower reinforcement left side	1
130	601156	Tapping screw M10 galvanized	2
392	ZS0903	Sintesi black foot H.15	4
1310	ZS2464	Front support for muffle left/right side 90 04	2
1311	ZS2465	Rear support for muffle left/right side 90 04	2
1352	ZS2503	Lower guard for cooker 090 04	1
1414	ZS2601	Terminal board support	1
1439	ZS2663	Cooling fan L=180 Plaset (AU)	1
1458	ZS2425	Plinth for cooker 90	1
1595	ZS2938	Ramp hole closing plate	1
1757	ZS3016	Complete lower right side panel	1
1758	ZS3018	Complete lower left side panel	1
1809	ZS3384	Rear guard for cooker 90 extended 62.5 06	1
4167	ZS6684	Spacer for drawer guide	2
4333	ZS6888	Upper guard for drawer 90	1
4334	ZS6889	Muffle fan guard cooker 90 cm	1
4335	ZS6890	Bracket condensate collection for 090 Steam	1
4338	ZS6907	Air conveyor for cooktop 090/120 SF	1

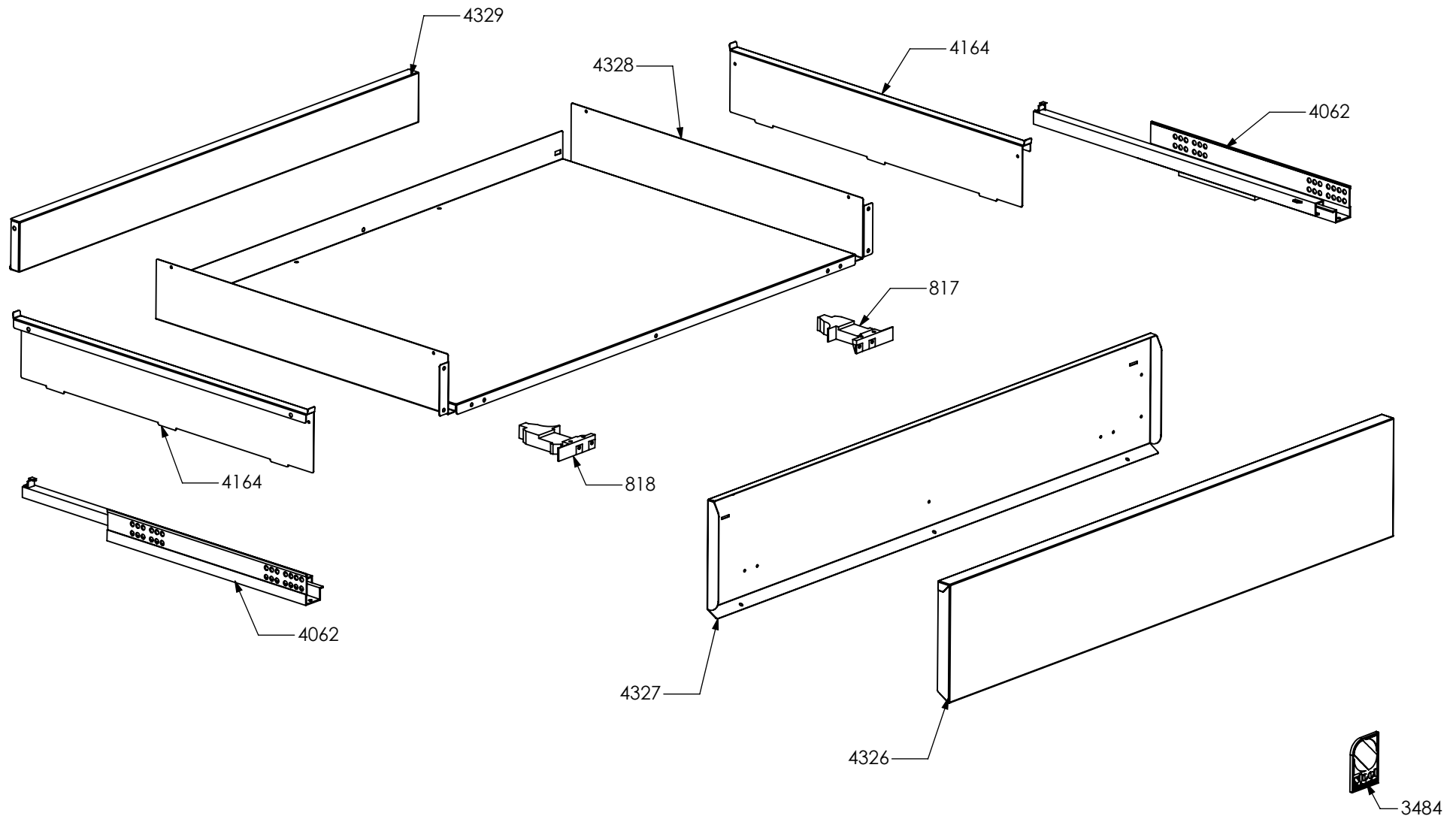
2602



N° Object	Code	Description	Qty
2602	GR2552	Assembly glued oven door 90	1
4903	GR7666	Assembly door 30/60/90 right bar profile 15	1
4930	GR8097	Assembly door 30/60/90 left bar profile 15	1
1049	ZS2131	Door oven handle for oven 90 chromed SLT cooker 90/120	1
1221	ZS2307	Inner glass oven door 90	1
1259	ZS2394	In-between glass oven door 90 04	1
1280	ZS2419	Spring for door glass assembling 04	4
1384	ZS2552	Glued external oven door 90	1
1575	ZS2931	Spacer between glasses	4
2943	ZS4746	Right support for inner glass	1
2944	ZS4747	Left support for inner glass	1
5195	ZS8180	Door hinge for oven 90	2



N° Object	Code	Description	Qty	N° Object	Code	Description	Qty
30	411213	Lateral frame support for built-in oven	2	4026	ZS6248	Fan cover for oven 90 with turnspit hole S.STEEL	1
82	481403	Thermoswitch 16 Ampere	1	4053	ZS3394	Gasket oven 90 H=8.9 mat HT	1
84	481589	Grill heating element for oven 90	1	4059	ZS6034	Oven lateral frame 30/60/90 S.Steel	2
89	481727	Circular tangential oven 90 fan (AU) with fan and nut	1	4085	ZS6543	Complete muffle bottom for oven 90 S.Steel Steam	1
128	601152	Spring fixing feeler for built-in oven	2	4115	ZS6631	Complete Lamp-holder for oven (max 25 W)	2
1209	414559	Lateral frame support for built-in oven	6	4123	ZS6653	Carafe graduate 0.5	1
1260	ZS2395	Hinge support 06	2	4124	ZS6654	Steam flexible pipe	1
1328	482325	Circular heating element 230V-2500W	1	4148	ZS6380	Lower heating elem.support oven 90	1
1333	ZS2289	Support for grillrod 60/90	1	4162	ZS6679	O-ring 3021 viton	1
1349	ZS2499	Fixing support for turnspit motor oven 60/90	1	4314	ZS6548	Complete Stainless Steel muffle ceiling oven 90	1
1420	ZS2625	White glass wool for rear side 90 oven	1	4315	ZS6549	S.Steel muffle front side oven 90 complete	1
1421	ZS2626	White glass wool for 90 oven 04	1	4574	ZS6005	Fixing support for turnspit motor oven 60/90	1
1467	ZS2604	Support for safety thermostat 04	1	5047	ZS7807	Reinforce fan cover for oven 90 with turnspit hole S.STEEL	1
1760	ZS3078	Telescopic liner left	1	5216	ZS8229	Steam generator cover 90	1
1761	ZS3079	Telescopic liner right	1				
1839	ZS3082	Lower heating element for oven 90 (1400 W)	1				
3260	ZS5175	Turnspit for oven 90 (4 forks + handle) - 04	1				
3261	ZS5236	Turnspit motor reducer 50/60 Hz	1				
3853	GR6226	Assembly rear muffle oven 90 S.steel TDL	1				
1401	ZS2585	Tapping screw M5 aluminium	4				
3919	ZS6002	Reinforce for fixing support for turnspit motor oven 60/90	1				
3937	ZS6339	Ceramic tiles for oven	1				
3939	ZS6341	S.steel Trivet for oven 90	1				
3941	ZS6343	S.steel wire grid for oven 90	2				
3948	ZS6379	Lower heating element tray oven 90	1				
4019	ZS6222	Side muffle oven 30/60/90 S.Steel TDL	2				
4021	ZS7595	Drip tray for oven 90 S.Steel TDL	1				
4023	ZS6245	Grill heating element support for muffle oven 90 S.Steel	1				



N° Object	Code	Description	Qty
817	ZS0458	Drawer right regulation clip	1
818	ZS0459	Drawer left regulation clip	1
3484	ZS5647	"Steel - Stile in cucina" plate	1
4062	ZS6372	Couple legobox rails partial opening push pull	1
4164	ZS6681	Drawer lateral side for cooker S.Steel	2
4326	ZS6827	Drawer door cooker 090 SF s.steel	1
4327	ZS6828	Counterdoor drawer cooker 90	1
4328	ZS6829	Bottom drawer for cooker 090 S.Steel	1
4329	ZS6830	Drawer rear side for cooker 090 S.Steel	1

N° Object	Code	Description	Qty
132	ZS5148	Adhesive tape 16,5 m x 19h (3M)	20
725	601108	Anti-overturning device	0,3
1210	ZS5149	Adhesive tape 33 mt x 17h mm x th 0,6 mm (3M 4930)	80
1586	ZS2770	Additional wiring generic L=75 cm Fem Fem	2
2205	ZS3753	Tapping screw M5 s.steel	2
4580	ZS7165	Wiring diagram for cooker S9S-4B and S9S-4T	1
5050	ZS7813	Instruction booklet Top/Cooker Multilanguage	1
5212	ZS8219	Aluminium adhesive badge "CombiSteam"	1
5357	ZS8592	Instruction booklet Combi steam Oven	1