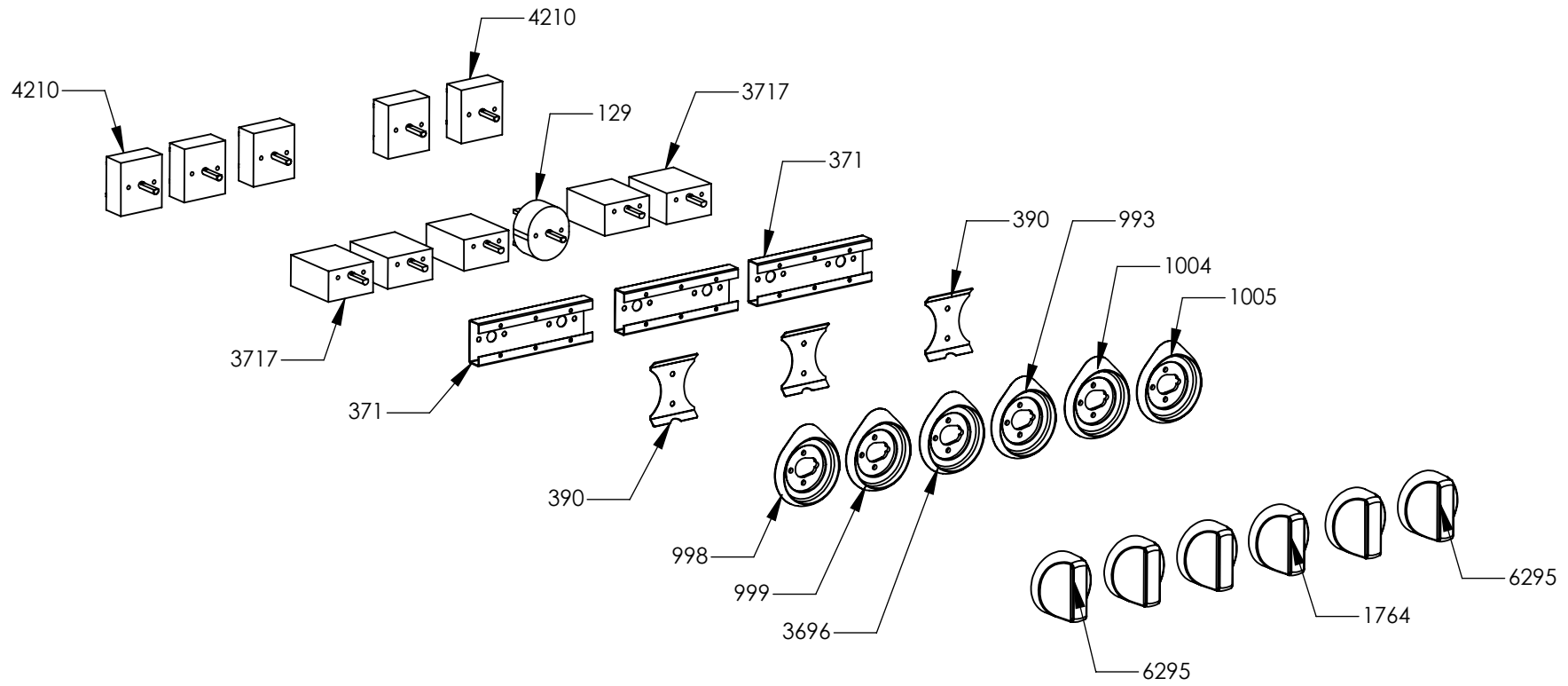
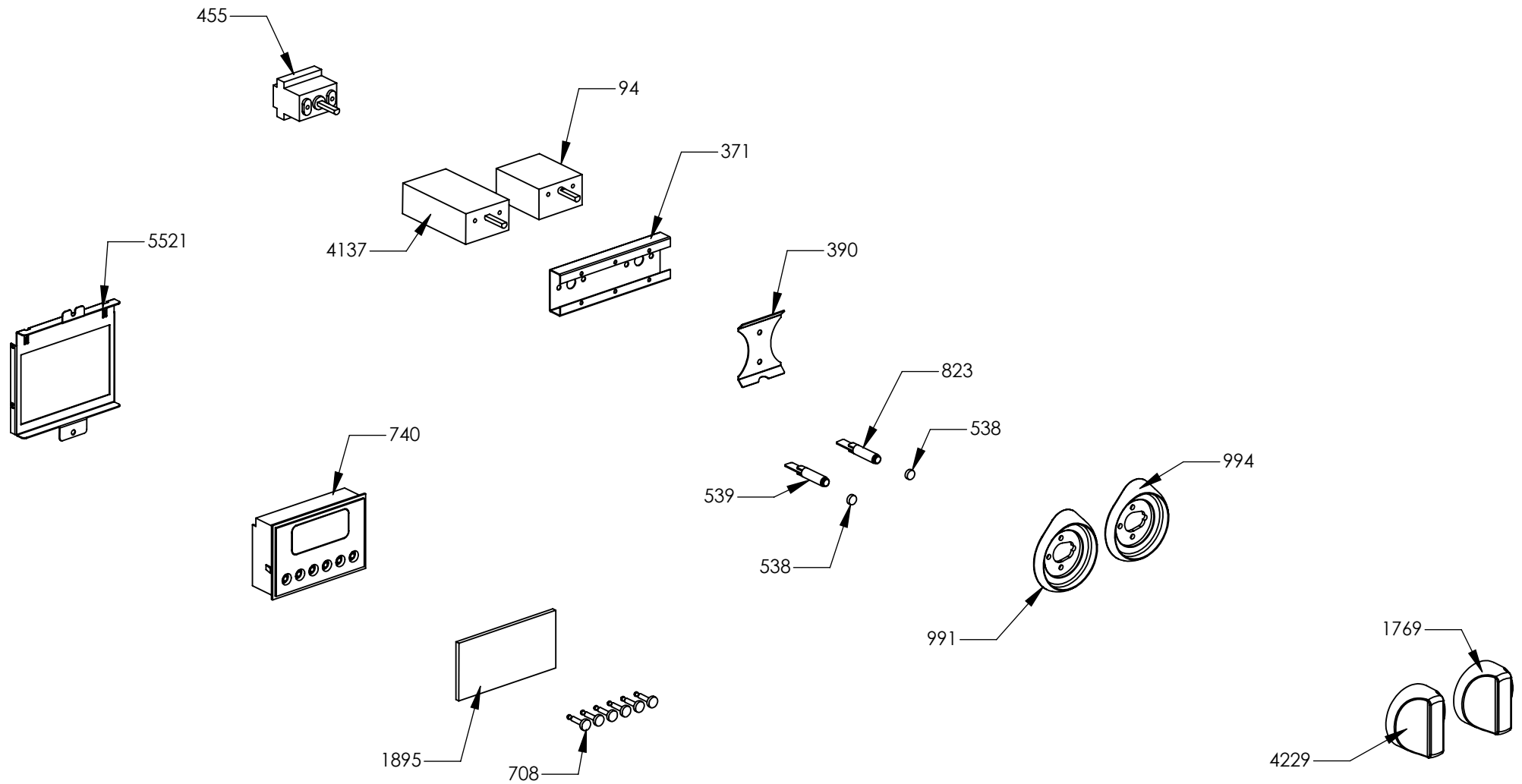


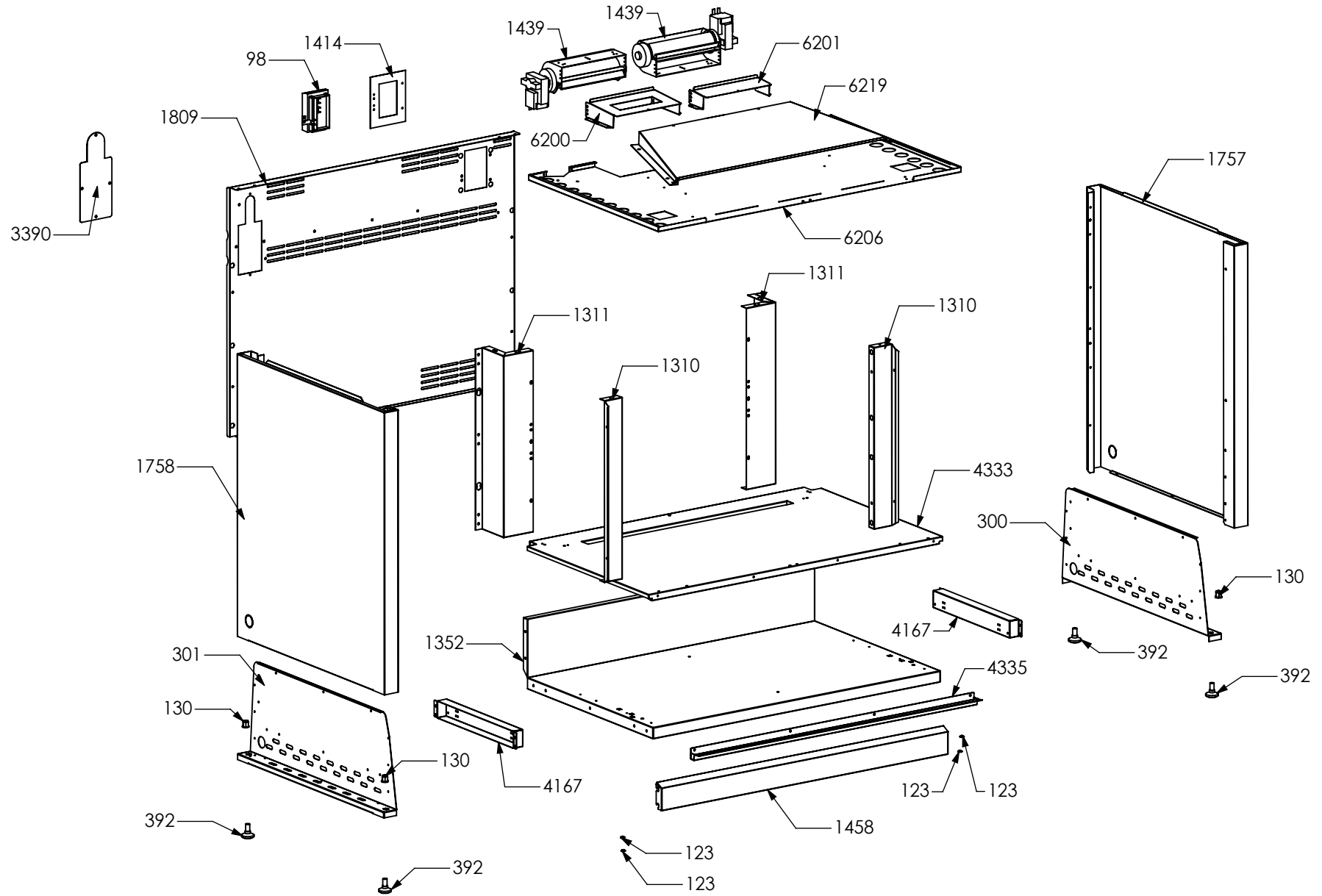
N° Object	Code	Description	Qty
1014	ZS2026	Thermostat TY60 N.O. fixing B	2
1606	ZS2995	Fixing spring for front profile	16
4266	ZS6787	Encoders control board	1
5775	ZS3931	Rear side closing 090 cooker	1
5783	ZS6817	Feet for electronic components EGO	3
5784	ZS6904	Cover for induction terminal board	1
5785	ZS6905	Bridge for induction terminal board	1
5842	ZS8867	Rear side closing 090/100/120 cooker inside	1
6036	ZS8446	Clamp support for induction 90/100 Sintesi front / rear	2
6038	ZS8877	Support for electronic control induction element	1
6071	ZA0469	Induction 5 element OCTA EGO 75.08016.610	1
6091	GP0198	Assembly cooktop cooker 90 induction OCTA	1
6069	ZA0467	Glass for 90 induction hob or cooker	1
6209	ZP0404	Upper lateral panel right side	1
6210	ZP0406	Upper lateral panel left side	1
1023	ZS2093	Sintesi upper right side clamp 62.5 extended	1
1024	ZS2094	Sintesi upper left side clamp 62.5 extended	1
1441	ZS2665	Support for fan timelag device	1
1612	ZS3020	Support for connection top-base	2
5503	ZS6140	Display support	1
6215	ZP0425	Support for fan timelag device	1



N° Object	Code	Description	Qty
129	601154	Timer	1
371	ZS0802	Commutator support 2 positions	3
390	ZS0890	Spring for el. controls support	3
993	ZS1641	Bezel for timer knob 58, bright chrome	1
998	ZS1646	Bezel for front left burner knob 58, bright chromed	1
999	ZS1647	Bezel for rear left burner knob 58, bright chromed	1
1004	ZS1652	Bezel for front right burner knob 58, bright chromed	1
1005	ZS1653	Bezel for rear right burner knob 58, bright chromed	1
1764	ZS3153	Knob 58 timer SLT	1
3696	ZS5955	Bezel for central external burner knob 58, bright chromed	1
3717	ZS6026	Switch for induction encoder	5
4210	ZS5377	Energy regulator for induction 230 V EGO EU	5
6295	ZA0728	Knob 58 induction element SLT	5

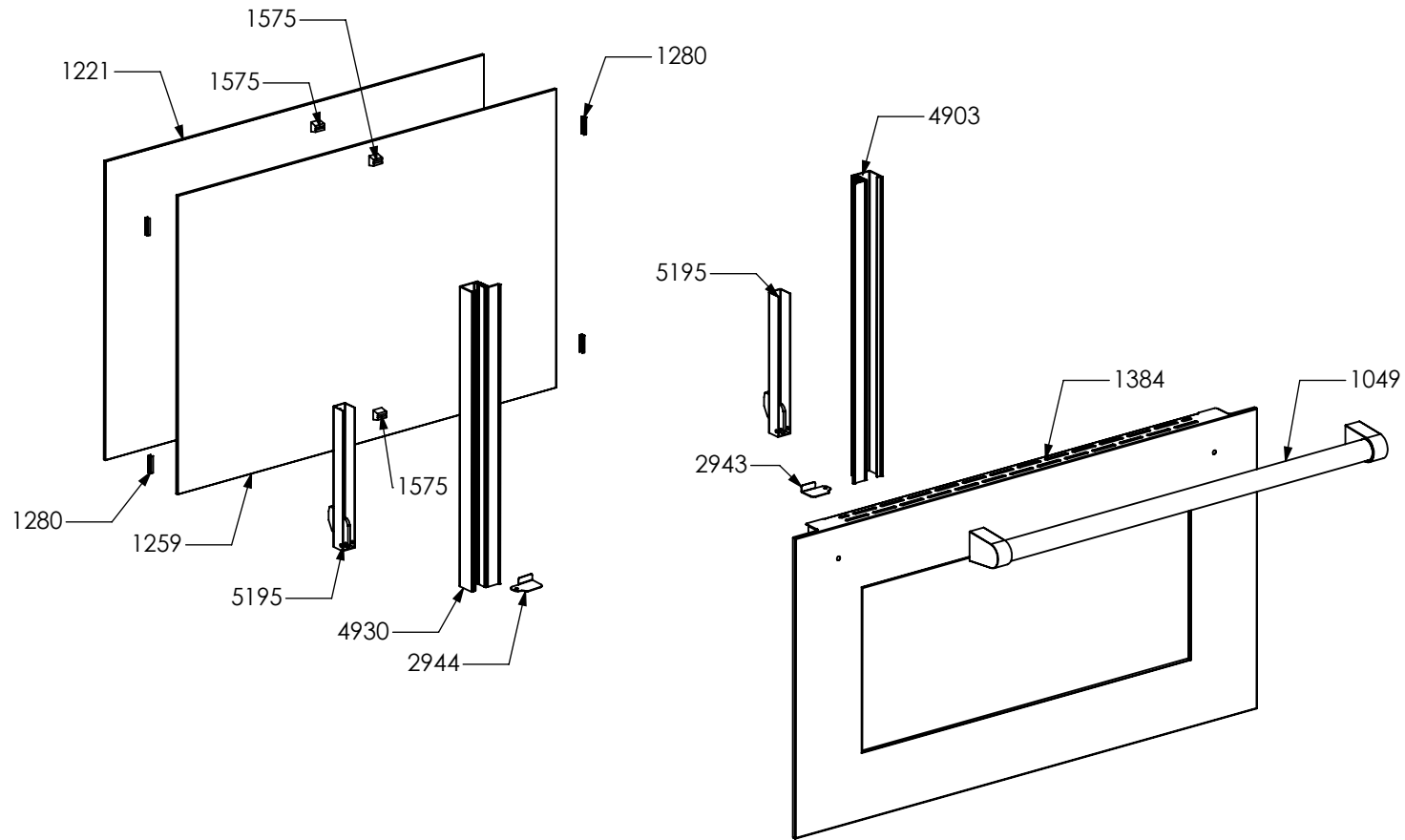


N° Object	Code	Description	Qty
94	481814	Commutator multif. for 90 built-in oven(no pizza)	1
371	ZS0802	Commutator support 2 positions	1
390	ZS0890	Spring for el. controls support	1
455	ZS1075	Oven thermostat	1
538	ZS1204	Led transparent	2
539	ZS1205	Fluorescent green warning light	1
708	ZS1916	Knob for timer steel-colour 988	6
740	ZS1747	Timer (blue led) 50 Hz	1
823	ZS1755	Fluorescent orange warning light	1
991	ZS1639	Bezel for main oven functions knob 58, bright chromed	1
994	ZS1642	Bezel for oven temperature knob 58, bright chrome	1
1769	ZS3158	Knob 58 for oven temperature SLT	1
1895	ZS3652	Glass lcd 6 button no hole	1
4137	ZS6655	Steam oven functions switch	1
4229	ZS6321	Knob 58 main oven steam functions SLT	1
5521	ZS6139	Electrical display support	1

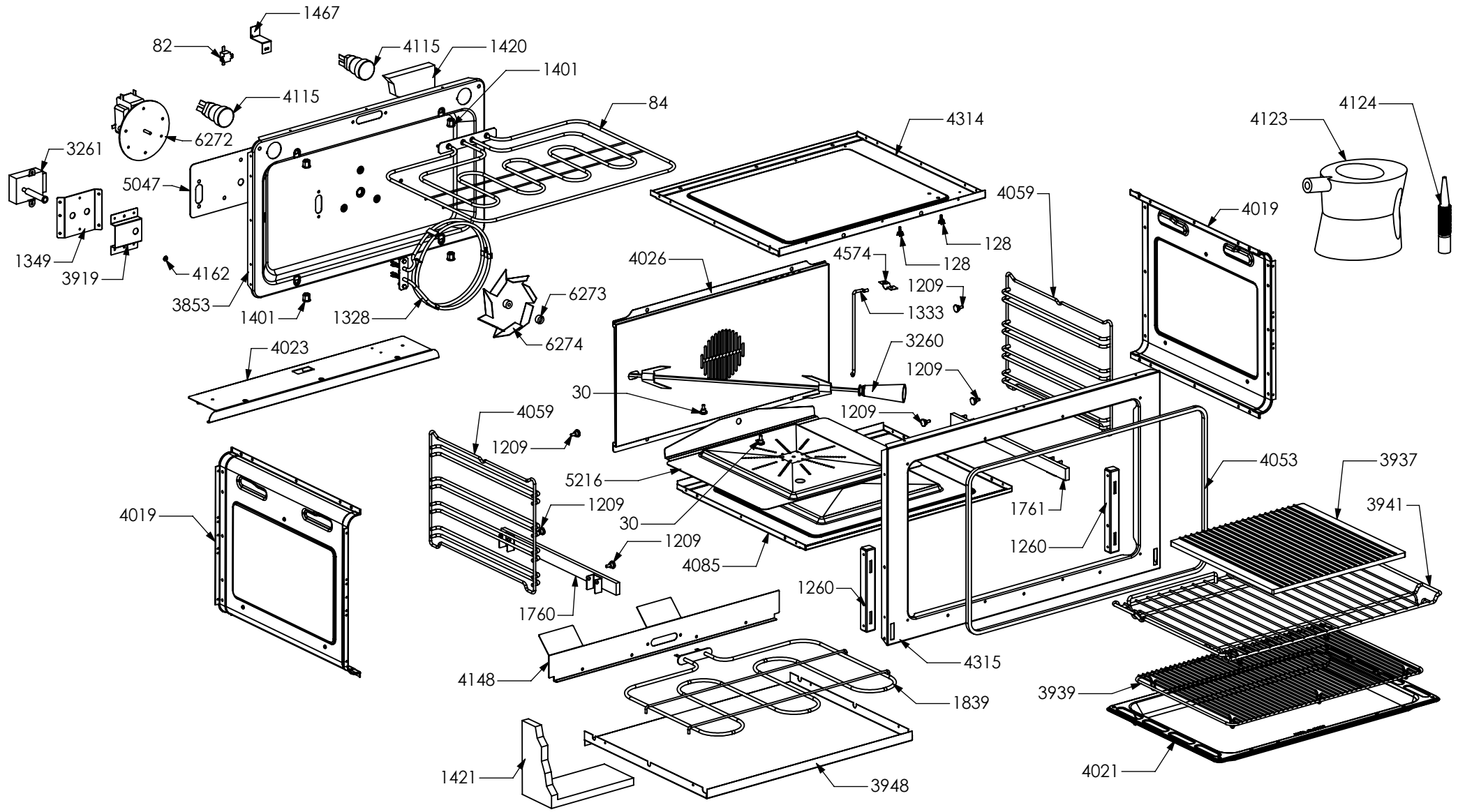


N° Object	Code	Description	Qty
98	481913	Terminal block for oven 32 PA 233	1
123	541011	Spacer washer for built-in oven	4
300	GR0591	Assembly complete lower reinforcement right side	1
130	601156	Tapping screw M10 galvanized	2
301	GR0592	Assembly complete lower reinforcement left side	1
130	601156	Tapping screw M10 galvanized	2
392	ZS0903	Sintesi black foot H.15	4
1310	ZS2464	Front support for muffle left/right side 90 04	2
1311	ZS2465	Rear support for muffle left/right side 90 04	2
1352	ZS2503	Lower guard for cooker 090 04	1
1414	ZS2601	Terminal board support	1
1439	ZS2663	Cooling fan L=180 Plaset (AU)	2
1458	ZS2425	Plinth for cooker 90	1
1757	ZS3016	Complete lower right side panel	1
1758	ZS3018	Complete lower left side panel	1
1809	ZS3384	Rear guard for cooker 90 extended 62.5 06	1
3390	ZS5497	Ramp hole closing plate	1
4167	ZS6684	Spacer for drawer guide	2
4333	ZS6888	Upper guard for drawer 90	1
4335	ZS6890	Bracket condensate collection for 090 Steam	1
6200	ZP0349	Air conveyor for cooktop SX	1
6201	ZP0350	Air conveyor for cooktop DX	1
6206	ZP0373	Muffle fan guard cooker 90 cm	1
6219	ZP0434	Air conveyor for cooktop 90	1

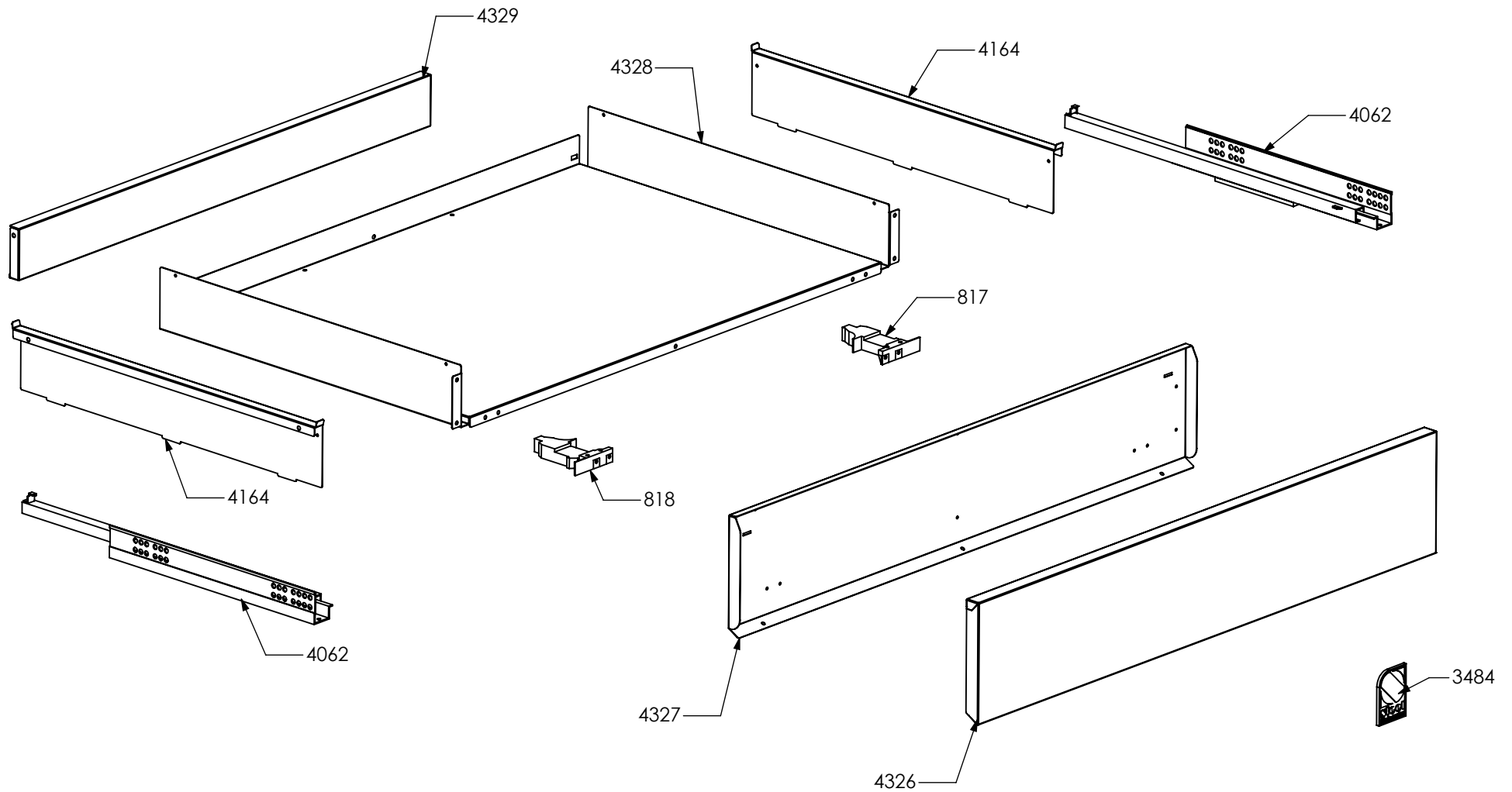
2602



N° Object	Code	Description	Qty
2602	GR2552	Assembly glued oven door 90	1
4903	GR7666	Assembly door 30/60/90 right bar profile 15	1
4930	GR8097	Assembly door 30/60/90 left bar profile 15	1
1049	ZS2131	Door oven handle for oven 90 chromed SLT cooker 90/120	1
1221	ZS2307	Inner glass oven door 90	1
1259	ZS2394	In-between glass oven door 90 04	1
1280	ZS2419	Spring for door glass assembling 04	4
1384	ZS2552	Glued external oven door 90	1
1575	ZS2931	Spacer between glasses	4
2943	ZS4746	Right support for inner glass	1
2944	ZS4747	Left support for inner glass	1
5195	ZS8180	Door hinge for oven 90	2



N° Object	Code	Description	Qty	N° Object	Code	Description	Qty
30	411213	Lateral frame support for built-in oven	2	4053	ZS3394	Gasket oven 90 H=8.9 mat HT	1
82	481403	Thermoswitch 16 Ampere	1	4059	ZS6034	Oven lateral frame 30/60/90 S.Steel	2
84	481589	Grill heating element for oven 90	1	4085	ZS6543	Complete muffle bottom for oven 90 S.Steel Steam	1
128	601152	Spring fixing feeler for built-in oven	2	4115	ZS6631	Complete Lamp-holder for oven (max 25 W)	2
1209	414559	Lateral frame support for built-in oven	6	4123	ZS6653	Carafe graduate 0.5	1
1260	ZS2395	Hinge support 06	2	4124	ZS6654	Steam flexible pipe	1
1328	482325	Circular heating element 230V-2500W	1	4148	ZS6380	Lower heating elem.support oven 90	1
1333	ZS2289	Support for grillrod 60/90	1	4162	ZS6679	O-ring 3021 viton	1
1349	ZS2499	Fixing support for turnspit motor oven 60/90	1	4314	ZS6548	Complete Stainless Steel muffle ceiling oven 90	1
1420	ZS2625	White glass wool for rear side 90 oven	1	4315	ZS6549	S.Steel muffle front side oven 90 complete	1
1421	ZS2626	White glass wool for 90 oven 04	1	4574	ZS6005	Fixing support for turnspit motor oven 60/90	1
1467	ZS2604	Support for safety thermostat 04	1	5047	ZS7807	Reinforce fan cover for oven 90 with turnspit hole S.STEEL	1
1760	ZS3078	Telescopic liner left	1	5216	ZS8229	Steam generator cover 90	1
1761	ZS3079	Telescopic liner right	1	6272	ZA0488	Circular tangential oven 90 fan without fan and nut	1
1839	ZS3082	Lower heating element for oven 90 (1400 W)	1	6273	ZA0489	Nut for circular tangential oven	1
3260	ZS5175	Turnspit for oven 90 (4 forks + handle) - 04	1	6274	ZA0490	Fan for circular tangential oven	1
3261	ZS5236	Turnspit motor reducer 50/60 Hz	1				
3853	GR6226	Assembly rear muffle oven 90 S.steel TDL	1				
1401	ZS2585	Tapping screw M5 aluminium	4				
3919	ZS6002	Reinforce for fixing support for turnspit motor oven 60/90	1				
3937	ZS6339	Ceramic tiles for oven	1				
3939	ZS6341	S.steel Trivet for oven 90	1				
3941	ZS6343	S.steel wire grid for oven 90	2				
3948	ZS6379	Lower heating element tray oven 90	1				
4019	ZS6222	Side muffle oven 30/60/90 S.Steel TDL	2				
4021	ZS7595	Drip tray for oven 90 S.Steel TDL	1				
4023	ZS6245	Grill heating element support for muffle oven 90 S.Steel	1				
4026	ZS6248	Fan cover for oven 90 with turnspit hole S.STEEL	1				



N° Object	Code	Description	Qty
817	ZS0458	Drawer right regulation clip	1
818	ZS0459	Drawer left regulation clip	1
3484	ZS5647	"Steel - Stile in cucina" plate	1
4062	ZS6372	Couple legobox rails partial opening push pull	1
4164	ZS6681	Drawer lateral side for cooker S.Steel	2
4326	ZS6827	Drawer door cooker 090 SF s.steel	1
4327	ZS6828	Counterdoor drawer cooker 90 SF	1
4328	ZS6829	Bottom drawer for cooker 090 S.Steel	1
4329	ZS6830	Drawer rear side for cooker 090 S.Steel	1

N° Object	Code	Description	Qty
132	ZS5148	Adhesive tape 16,5 m x 19h (3M)	80
725	601108	Anti-overturning device	0,3
1210	ZS5149	Adhesive tape 33 mt x 17h mm x th 0,6 mm (3M 4930)	40
1329	ZS5150	Adhesive tape 33 mt x 25h mm x Th 1.55 mm (3M)	18000
1586	ZS2770	Additional wiring generic L=75 cm Fem Fem	2
2205	ZS3753	Tapping screw M5 s.steel	2
3737	ZS2675	Wiring oven 30 NF	1
5050	ZS7813	Instruction booklet Top/Cooker Multilanguage	1
5212	ZS8219	Aluminium adhesive badge "CombiSteam"	1
5357	ZS8592	Instruction booklet Combi Steam oven Steel	1
6113	ZA0630	Wiring diagram for cooker S9S-6I	1