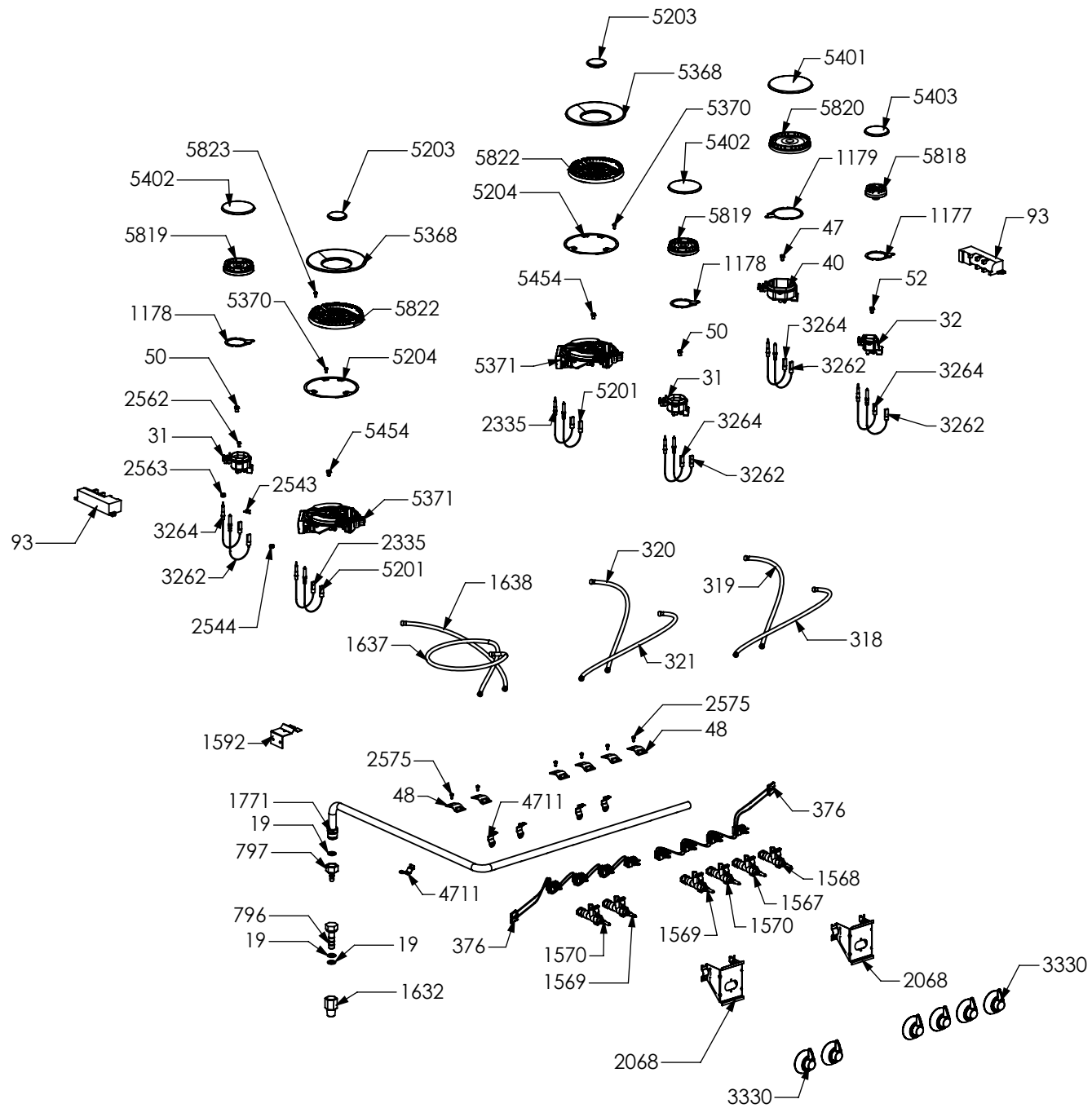
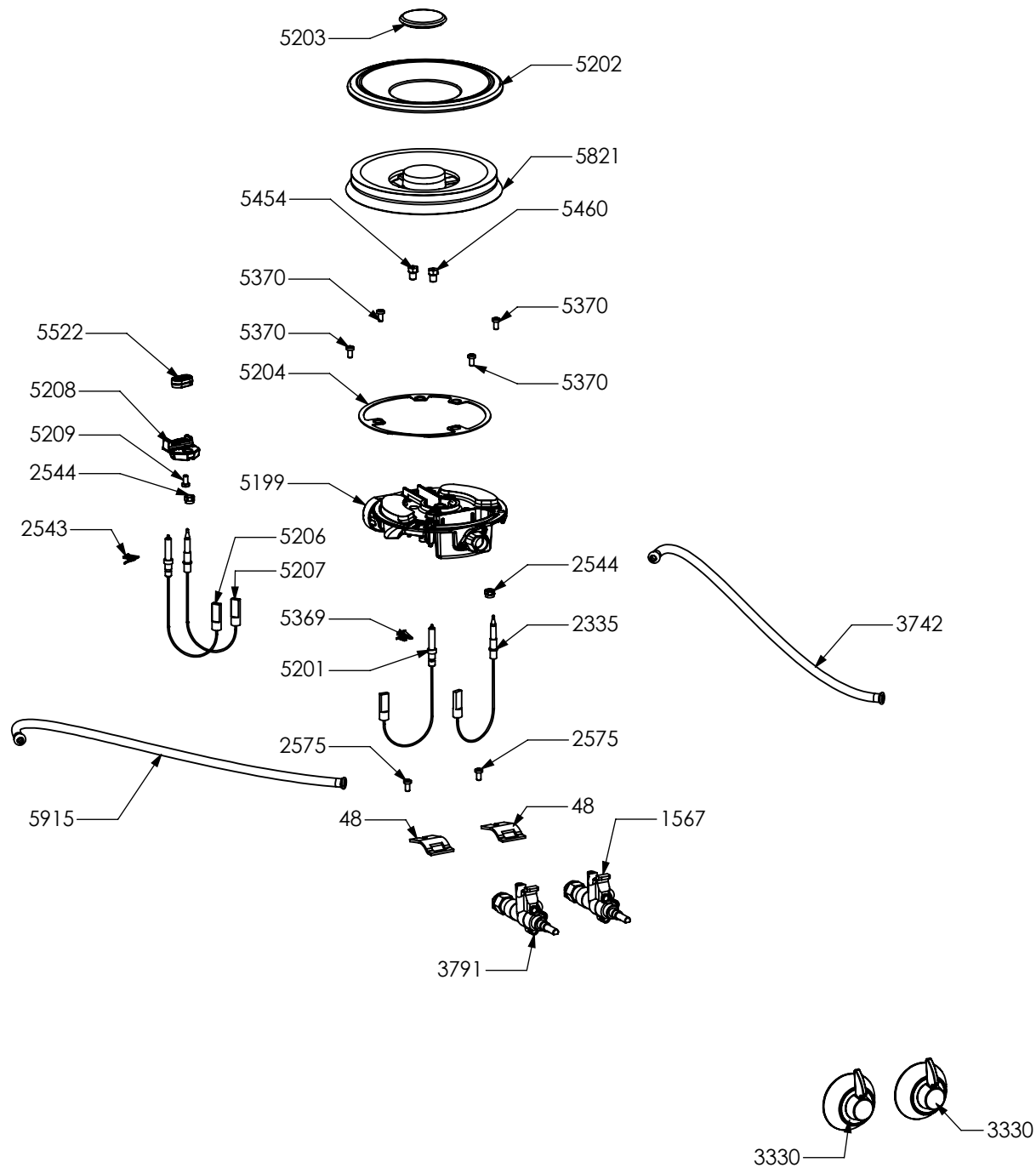


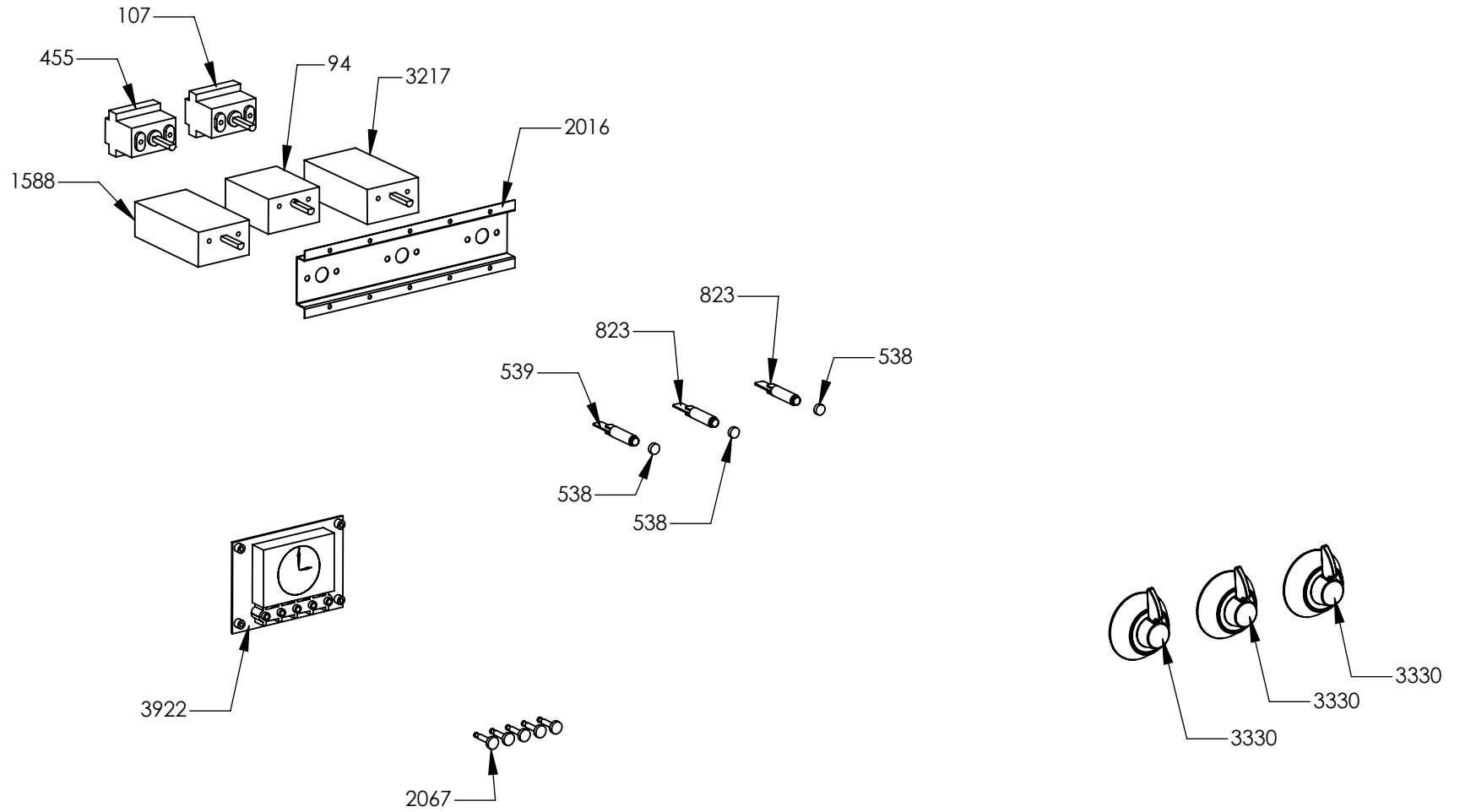
| N° Object | Code | Description | Qty |
|-----------|--------|--|-----|
| 731 | ZS0565 | Cast-iron grid for wok | 1 |
| 1014 | ZS2026 | Thermostat TY60 N.O. fixing B | 2 |
| 1441 | ZS2665 | Support for fan timelag device | 2 |
| 1575 | ZS2931 | Spacer between glasses | 2 |
| 1957 | ZS3495 | Washer 4.3 x 10 x 3 | 4 |
| 2001 | ZS3186 | Back splash for cooker 120 Ascot | 1 |
| 2034 | ZS3536 | Profile control panel drawer 120 Ascot chromed | 1 |
| 2053 | ZS3644 | Support for internal support control panel 120 Ascot | 1 |
| 2263 | ZS4068 | Control panel front 7/8 burners M Ascot 120 S.STEEL with serygr. | 1 |
| 3031 | ZS4390 | Cast-iron grid 1 burner Ascot 07 | 1 |
| 3032 | ZS4391 | Cast-iron grid 2 burners Ascot 07 | 3 |
| 5036 | ZS7681 | Complete upper right side Ascot | 1 |
| 5037 | ZS7682 | Complete upper left side Ascot | 1 |
| 5061 | ZS7860 | Complete spill tray cooker 120 7 burners Ascot | 1 |
| 5191 | ZS8175 | Handle for hob cooker Ascot 120 chromed terminal nickel | 1 |



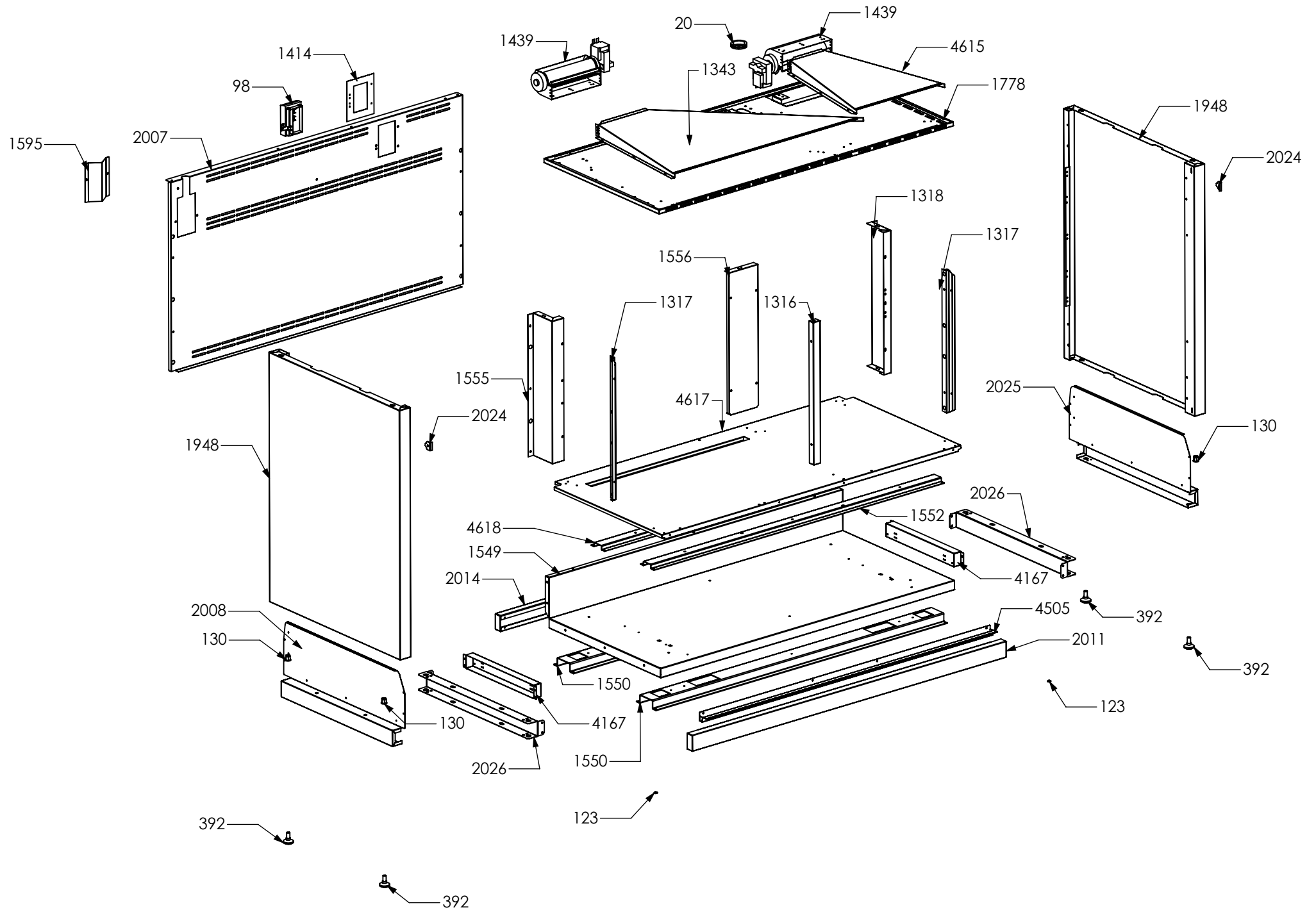
| N° Object | Code | Description | Qty | N° Object | Code | Description | Qty |
|-----------|--------|--|-----|-----------|--------|--|-----|
| 19 | 400689 | Gasket gas inlet | 3 | 2068 | ZS3791 | Ramp fixing support Ascot /XXL | 2 |
| 31 | 414121 | Semi-rapid burner body G20 0,97 | 2 | 2335 | ZS4181 | Thermocouple SBF L=600 t.c.4.5 | 2 |
| 32 | 414123 | Auxiliary burner body G20 0,72 | 1 | 2543 | 601229 | Spring fixing spark plug for triple ring P-4 | 1 |
| 40 | 414212 | Rapid burner body G20 1,15 | 1 | 2544 | ZS4186 | Fixing nut for thermocouple burner 4.5 | 1 |
| 47 | 421312 | Rapid burner nozzle G30/31 29/37 mbar 0,85 | 1 | 2562 | 506037 | Screw M3x8 TC s.steel | 8 |
| 48 | 421323 | Gas taps fixing bridle M60 | 6 | 2563 | ZS0907 | Fixing nut for themocouple | 5 |
| 50 | 423948 | Semi-rapid burner nozzle G30/31 0,65 | 2 | 2575 | 505241 | Screw M4 | 6 |
| 52 | 423951 | Auxiliary burner nozzle G30/30 0,50 | 1 | 3262 | ZS5270 | Burner spark plug Cast | 4 |
| 93 | 481787 | Ignition system 4 flames | 2 | 3264 | ZS5272 | Thermocouple Cast L=770 | 4 |
| 318 | ZS0632 | Pipe ramp for front right auxiliary burner cooker 120 d.o. 8 burners | 1 | 3330 | ZS5412 | Ascot chromed knob | 6 |
| 319 | ZS0633 | Pipe ramp for rear right rapid burner cooker 120 double oven 8 burnes | 1 | 4711 | ZS6772 | Clamp support for main ramp | 5 |
| 320 | ZS0634 | Pipe ramp for rear central right triple ring burner cooker 120 double oven | 1 | 5201 | ZS8191 | Wok burner spark plug sbf DCC M+G INT | 2 |
| 321 | ZS0635 | Pipe ramp for front central right semi rapid burner cooker 120 double oven | 1 | 5203 | ZS8193 | Plate central Wok burner | 2 |
| 376 | ZS0813 | Micro catenary for 4 burners | 2 | 5204 | ZS8194 | Gasket for wok burner | 2 |
| 796 | 410610 | Pipe holder (G20)IT | 1 | 5368 | ZS8633 | Plate Wok burner external | 2 |
| 797 | 410645 | Pipe holder (G30) | 1 | 5370 | ZS8635 | Screw M4 wok burner | 2 |
| 1177 | ZS2217 | Gasket for auxiliary burner | 1 | 5371 | ZS8637 | Wok burner body G20/20 1,32 | 2 |
| 1178 | ZS2218 | Gasket for semi-rapid burner | 2 | 5401 | ZS8684 | Rapid spreader cap HE2 | 1 |
| 1179 | ZS2219 | Gasket for rapid burner | 1 | 5402 | ZS8685 | Semi-rapid spreader cap HE2 | 2 |
| 1567 | ZS2923 | Valved tap for auxiliary burner (bypass 0,27) | 1 | 5403 | ZS8686 | Auxiliary spreader cap HE2 | 1 |
| 1568 | ZS2924 | Valved tap for rapid/fish-kettle burner | 1 | 5454 | ZS8831 | Mega Wok burner nozzle G30/30 0.94 | 2 |
| 1569 | ZS2925 | Valved tap for semi-rapid burner | 2 | 5818 | ZS8625 | Auxiliary burner flame spreader HE2 ALU | 1 |
| 1570 | ZS2926 | Valved tap for triple-ring burner | 2 | 5819 | ZS8627 | Semi-rapid burner flame spreader HE2 ALU | 2 |
| 1592 | ZS2935 | Rear ramp fixing support cooker 90/120 | 1 | 5820 | ZS8629 | Rapid burner flame spreader HE2 ALU | 1 |
| 1632 | ZS3021 | Adapter female-male 1/2 BSP 04 | 1 | 5822 | ZS8639 | Wok burner flame spreader ALU | 2 |
| 1637 | ZS3058 | Pipe ramp for front left triple ring burner cooker 90 05 | 1 | 5823 | ZS8645 | Pins for Wok | 2 |
| 1638 | ZS3059 | Pipe ramp for rear left semi-rapid burner cooker 90 05 | 1 | | | | |
| 1771 | ZS3226 | Ramp 8 burners cooker 120 double oven 06/Ascot | 1 | | | | |



| N° Object | Code | Description | Qty |
|-----------|--------|---|-----|
| 48 | 421323 | Gas taps fixing bridle M60 | 2 |
| 1567 | ZS2923 | Valved tap for auxiliary burner (bypass 0,27) | 1 |
| 2335 | ZS4181 | Thermocouple SBF L=600 t.c.4.5 | 1 |
| 2543 | 601229 | Spring fixing spark plug for triple ring P-4 | 1 |
| 2544 | ZS4186 | Fixing nut for thermocouple burner 4.5 | 2 |
| 2575 | 505241 | Screw M4 | 2 |
| 3330 | ZS5412 | Ascot chromed knob | 2 |
| 3742 | ZS4837 | Pipe ramp for t.c. 4.5 external burner cooker | 1 |
| 3791 | ZS6109 | Valved tap for triple-ring burner | 1 |
| 5199 | ZS8189 | Mega Wok burner body G20/20 0,68 1.40 | 1 |
| 5201 | ZS8191 | Wok burner spark plug sbf DCC M+G INT | 1 |
| 5202 | ZS8192 | Plate Mega Wok burner external | 1 |
| 5203 | ZS8193 | Plate central Wok burner | 1 |
| 5204 | ZS8194 | Gasket for wok burner | 1 |
| 5206 | ZS8197 | Mega Wok burner spark plug sbf DCC G EXT | 1 |
| 5207 | ZS8198 | Thermocouple SBF L=750 DCC | 1 |
| 5208 | ZS8199 | Support for thermocouple DCC | 1 |
| 5209 | ZS8200 | Screw M3.5x6 | 1 |
| 5369 | ZS8634 | Spring fixing spark plug for Wok | 1 |
| 5370 | ZS8635 | Screw M4 wok burner | 4 |
| 5454 | ZS8831 | Mega Wok burner nozzle G30/30 0.94 | 1 |
| 5460 | ZS8837 | Mega Wok burner nozzle G30/30 0.44 | 1 |
| 5522 | ZS8980 | Gasket for Mega wok thermocouple support | 1 |
| 5821 | ZS8631 | Mega Wok burner flame spreader ALU | 1 |
| 5915 | ZA0256 | Pipe ramp for t.c. 4.5 central burner cooker DCC 90/120 | 1 |

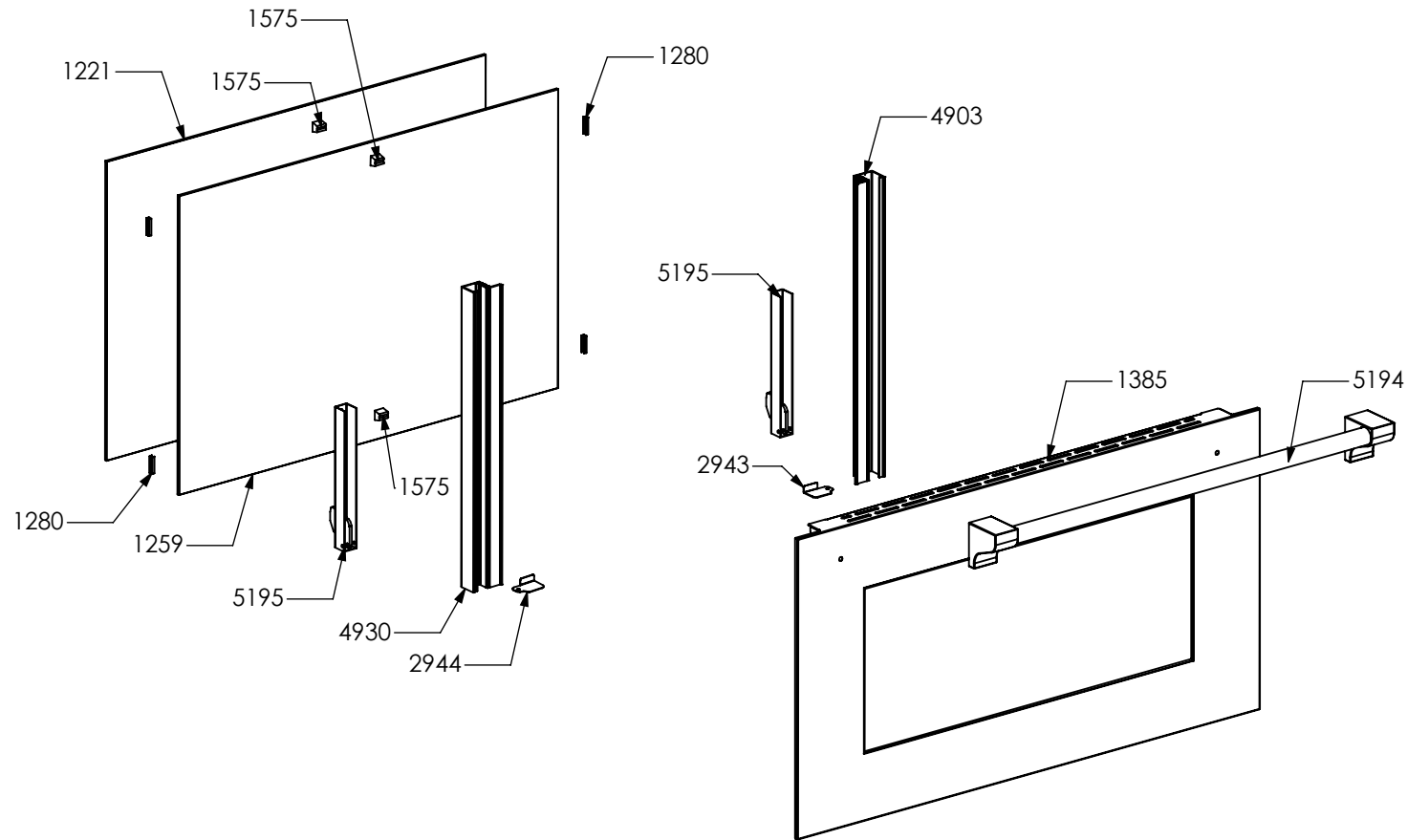


| N° Object | Code | Description | Qty |
|-----------|--------|---|-----|
| 94 | 481814 | Commutator multif. for 90 built-in oven(no pizza) | 1 |
| 107 | 482120 | Thermostat cooker 192 | 1 |
| 455 | ZS1075 | Oven thermostat | 1 |
| 538 | ZS1204 | Led transparent | 3 |
| 539 | ZS1205 | Fluorescent green warning light | 1 |
| 823 | ZS1755 | Fluorescent orange warning light | 2 |
| 1588 | ZS2889 | Commutator oven functions 90 EGO | 1 |
| 2016 | ZS3227 | Commutator support | 1 |
| 2067 | ZS3785 | Knob for timer gray | 5 |
| 3217 | ZS4568 | Small and grilling oven switch | 1 |
| 3330 | ZS5412 | Ascot chromed knob | 3 |
| 3922 | ZS6184 | Timer (white led) LCD-ELA 1000 | 1 |

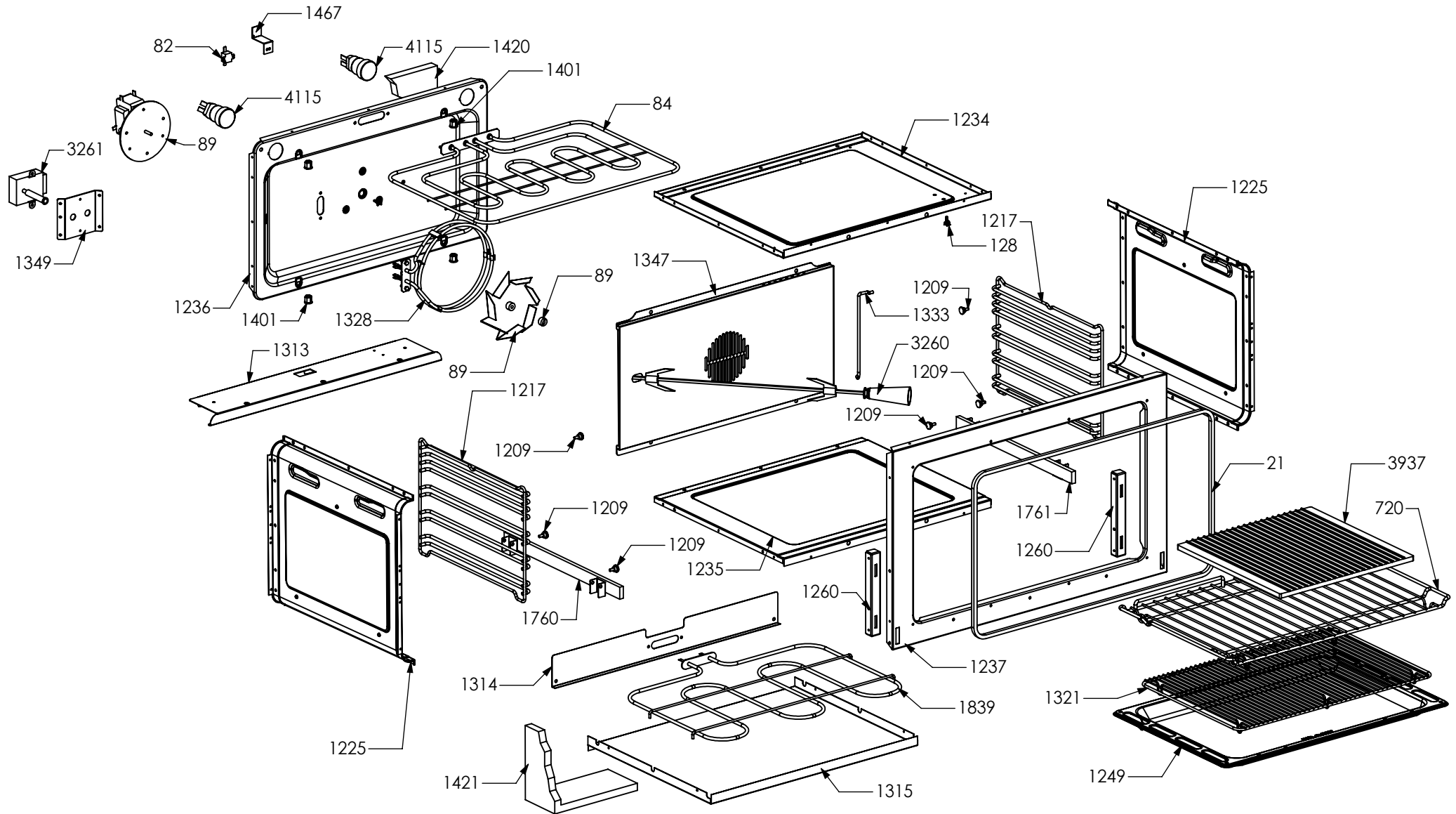


| N° Object | Code | Description | Qty | N° Object | Code | Description | Qty |
|-----------|--------|---|-----|-----------|--------|--|-----|
| 20 | 401520 | Black cap for glass front panel | 2 | 4167 | ZS6684 | Reinforcement for lower guard oven | 2 |
| 98 | 481913 | Terminal board for oven 32 PA 233 | 1 | 4505 | ZS7051 | Bracket condensate collection for 120 DC Steam | 1 |
| 123 | 541011 | Spacer washer for built-in oven | 2 | 4615 | ZS6967 | Air conveyor for cooktop 030/120 double oven | 1 |
| 392 | ZS0903 | Sintesi black foot H.15 | 4 | 4617 | ZS6969 | Drawer upper guard for cooker 120 double oven | 1 |
| 1316 | ZS2474 | Front central muffle support cooker 100/120 double oven | 1 | 4618 | ZS6970 | Reinforcement for ceiling drawer cooker 120 double oven 04 | 1 |
| 1317 | ZS2475 | Front support for muffle R/L side 100/120 double/triple oven cooker | 2 | | | | |
| 1318 | ZS2477 | Rear support for muffle left/right side cooker 100 double/triple oven | 1 | | | | |
| 1343 | ZS2462 | Air conveyor for cooktop 090/120 04 | 1 | | | | |
| 1414 | ZS2601 | Terminal board support | 1 | | | | |
| 1439 | ZS2663 | Cooling fan L=180 Plaset (AU) | 2 | | | | |
| 1549 | ZS2905 | Lower guard for cooker 120 double oven 04 | 1 | | | | |
| 1550 | ZS2906 | Reinforcement for lower guard cooker 120 double oven 04 | 2 | | | | |
| 1552 | ZS2908 | Reinforcement for ceiling drawer cooker 120 double oven 04 | 1 | | | | |
| 1555 | ZS2911 | Rear support for muffle left side oven 90/120 double oven | 1 | | | | |
| 1556 | ZS2912 | Rear central support for muffle cooker 120 double oven | 1 | | | | |
| 1595 | ZS2938 | Ramp hole closing plate | 1 | | | | |
| 1778 | ZS3278 | Muffle fan guard cooker 120/120 double oven | 1 | | | | |
| 1948 | ZS3225 | Complete lower right/left side Ascot S.STEEL | 2 | | | | |
| 2007 | ZS3199 | Rear guard for cooker 120 double oven Ascot | 1 | | | | |
| 2008 | GR3201 | Assembly support lower left side Ascot | 1 | | | | |
| 130 | 601156 | Tapping screw M10 galvanized | 2 | | | | |
| 2026 | ZS3318 | Reinforcement drawer side structure plinth Ascot | 1 | | | | |
| 2011 | ZS3204 | Plinth for cooker 120 Ascot | 1 | | | | |
| 2014 | ZS3207 | Plinth rear for cooker 120 Ascot | 1 | | | | |
| 2024 | ZS3305 | Fixing plate for top Ascot | 2 | | | | |
| 2025 | GR3317 | Assembly support lower right side Ascot | 1 | | | | |
| 130 | 601156 | Tapping screw M10 galvanized | 2 | | | | |
| 2026 | ZS3318 | Reinforcement drawer side structure plinth Ascot | 1 | | | | |

2740

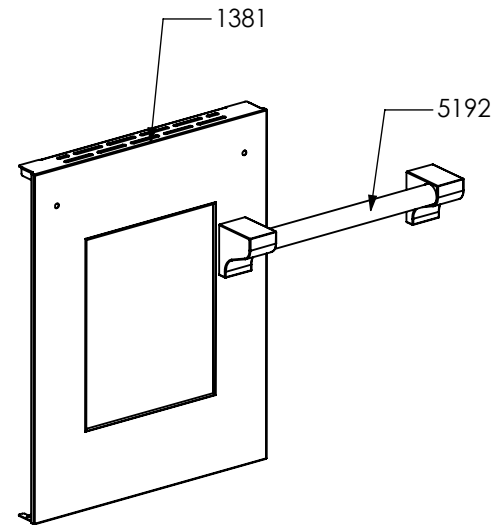
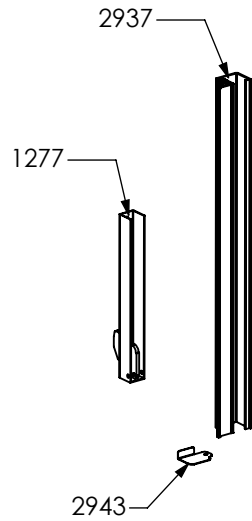
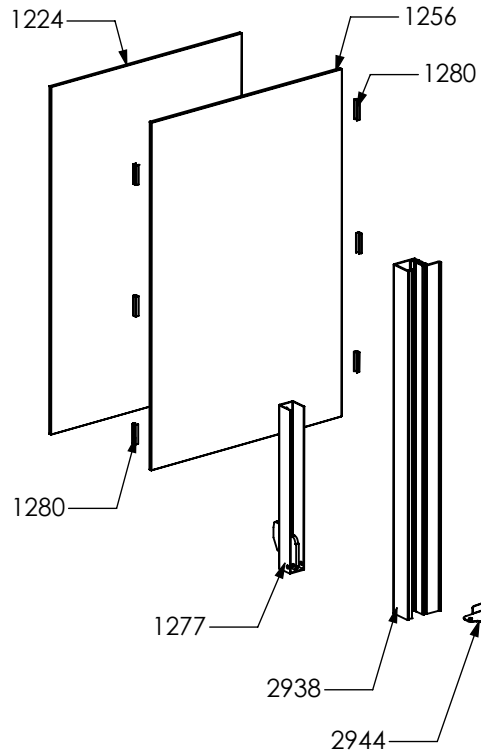


| N° Object | Code | Description | Qty |
|-----------|--------|--|-----|
| 2740 | GR4354 | Assembly glued oven door 90/120 double oven Ascot | 1 |
| 4903 | GR7666 | Assembly door 30/60/90 right bar profile 15 | 1 |
| 4930 | GR8097 | Assembly door 30/60/90 left bar profile 15 | 1 |
| 1221 | ZS2307 | Inner glass oven door 90 | 1 |
| 1259 | ZS2394 | In-between glass oven door 90 04 | 1 |
| 1280 | ZS2419 | Spring for door glass assembling 04 | 4 |
| 1385 | ZS2554 | Glued external oven door 90/120 double oven | 1 |
| 1575 | ZS2931 | Spacer between glasses | 4 |
| 2943 | ZS4746 | Right support for inner glass | 1 |
| 2944 | ZS4747 | Left support for inner glass | 1 |
| 5194 | ZS8178 | Handle for oven door 90 Ascot 90/120 chromed terminal nickel | 1 |
| 5195 | ZS8180 | Door hinge for oven 90 | 2 |

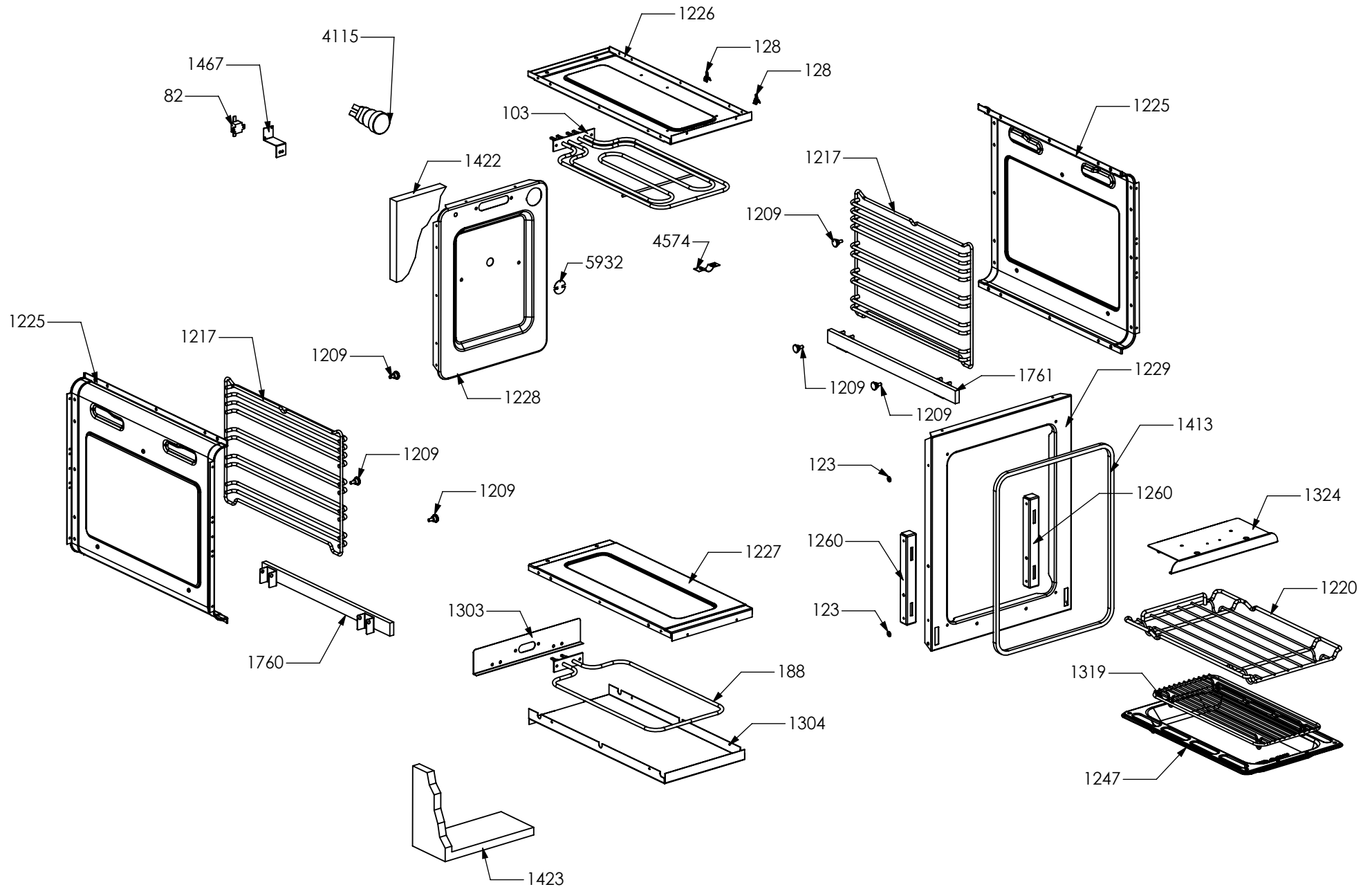


| N° Object | Code | Description | Qty | N° Object | Code | Description | Qty |
|-----------|--------|---|-----|-----------|--------|--|-----|
| 21 | 401638 | Gasket oven 90 | 1 | 1761 | ZS3079 | Telescopic liner right | 1 |
| 82 | 481403 | Thermoswitch 16 Ampere | 1 | 1839 | ZS3082 | Lower heating element for oven 90 (1400 W) | 1 |
| 84 | 481589 | Grill heating element for oven 90 | 1 | 3260 | ZS5175 | Turnspit for oven 90 (4 forks + handle) - 04 | 1 |
| 89 | 481727 | Circular tangential oven 90 fan (AU) with fan and nut | 1 | 3261 | ZS5236 | Turnspit motor reducer 50/60 Hz | 1 |
| 128 | 601152 | Spring fixing feeler for built-in oven | 2 | 3937 | ZS6339 | Ceramic tiles for BBQ | 1 |
| 720 | 451200 | Chromed wire grid for oven 90 AU | 2 | 4115 | ZS6631 | Compete Lamp-holder for oven (max 25 W) | 2 |
| 1209 | 414559 | Lateral frame support for built-in oven | 6 | | | | |
| 1217 | ZS2283 | Oven lateral frame 30/60/90 | 2 | | | | |
| 1225 | ZS2312 | Side muffle oven 30/60/90 enamelled 04 | 2 | | | | |
| 1234 | ZS2330 | Enamelled muffle ceiling oven 90 | 1 | | | | |
| 1235 | ZS2332 | Enamelled muffle bottom for oven 90 | 1 | | | | |
| 1236 | GR2334 | Assembly rear muffle oven 90 enamelled 04 | 1 | | | | |
| 1401 | ZS2585 | Tapping screw M5 aluminium | 4 | | | | |
| 1237 | ZS2336 | Enamelled muffle front side oven 90 | 1 | | | | |
| 1249 | ZS2366 | Enamelled drip tray for oven 90 | 1 | | | | |
| 1260 | ZS2395 | Hinge support 06 | 2 | | | | |
| 1313 | ZS2467 | Grill heating element support for muffle oven 90 enamelled 04 | 1 | | | | |
| 1314 | ZS2468 | Lower heating elem.support oven 90 04 | 1 | | | | |
| 1315 | ZS2469 | Lower heating element tray oven 90 04 | 1 | | | | |
| 1321 | ZS2490 | Trivet for oven 90 04 | 1 | | | | |
| 1328 | 482325 | Circular heating element 230V-2500W | 1 | | | | |
| 1333 | ZS2289 | Support for grillrod 60/90 | 1 | | | | |
| 1347 | ZS2486 | Fan cover for oven 90 with turnspit hole 04 BLACK | 1 | | | | |
| 1349 | ZS2499 | Fixing support for turnspit motor oven 60/90 | 1 | | | | |
| 1420 | ZS2625 | White glass wool for rear side 90 oven | 1 | | | | |
| 1421 | ZS2626 | White glass wool for 90 oven 04 | 1 | | | | |
| 1467 | ZS2604 | Support for safety thermostat 04 | 1 | | | | |
| 1760 | ZS3078 | Telescopic liner left | 1 | | | | |

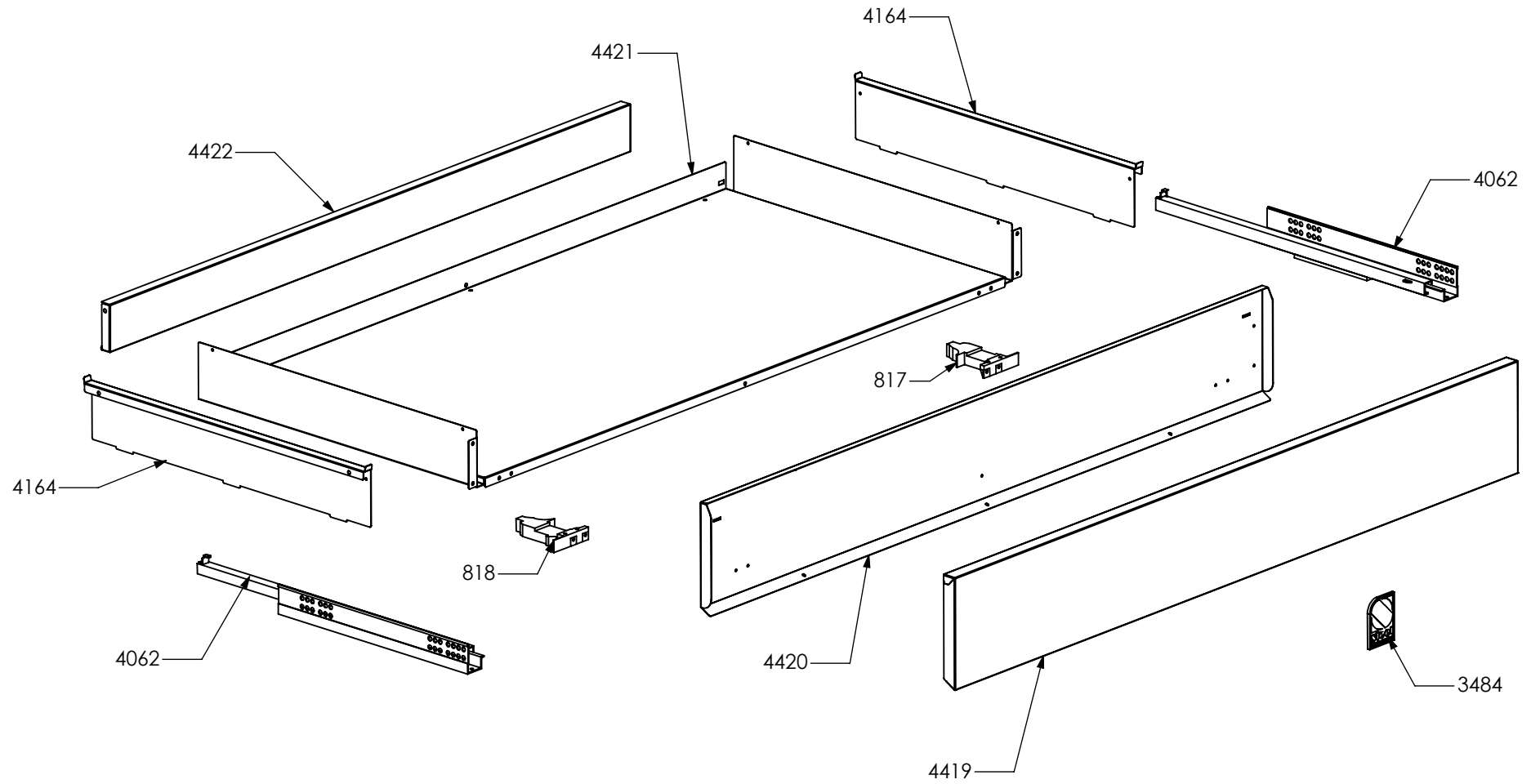
2716



| N° Object | Code | Description | Qty |
|-----------|--------|---|-----|
| 2716 | GR4330 | Assembly glued oven door 30 s.steel Ascot | 1 |
| 2937 | GR4313 | Assembly door 30/60/90 right bar profile 07 | 1 |
| 2938 | GR4314 | Assembly door 30/60/90 left bar profile 07 | 1 |
| 1224 | ZS2311 | Inner glass oven door 30 | 1 |
| 1256 | ZS2390 | In-between glass oven door 30 04 | 1 |
| 1277 | ZS2414 | Door hinge for oven 60 G | 2 |
| 1280 | ZS2419 | Spring for door glass assembling 04 | 6 |
| 1381 | ZS2546 | Glued external oven door 30 KL | 1 |
| 2943 | ZS4746 | Right support for inner glass | 1 |
| 2944 | ZS4747 | Left support for inner glass | 1 |
| 5192 | ZS8176 | Handle for oven door 30 Ascot 100/120 chromed terminal nickel | 1 |



| N° Object | Code | Description | Qty | N° Object | Code | Description | Qty |
|-----------|--------|---|-----|-----------|------|-------------|-----|
| 82 | 481403 | Thermoswitch 16 Ampere | 1 | | | | |
| 103 | 482072 | Upper heating element cooker Ratio | 1 | | | | |
| 123 | 541011 | Spacer washer for built-in oven | 2 | | | | |
| 128 | 601152 | Spring fixing feeler for built-in oven | 2 | | | | |
| 188 | ZS7653 | Lower heating element for oven 30 | 1 | | | | |
| 1209 | 414559 | Lateral frame support for built-in oven | 6 | | | | |
| 1217 | ZS2283 | Oven lateral frame 30/60/90 | 2 | | | | |
| 1220 | ZS2287 | Chromed wire grid for oven 30 | 1 | | | | |
| 1225 | ZS2312 | Side muffle oven 30/60/90 enamelled 04 | 2 | | | | |
| 1226 | ZS2314 | Enamelled muffle ceiling oven 30 | 1 | | | | |
| 1227 | ZS2316 | Enamelled muffle bottom for oven 30 | 1 | | | | |
| 1228 | ZS2318 | Muffle rear side oven 30 enamelled 04 | 1 | | | | |
| 1229 | ZS2320 | Enamelled muffle front side oven 30 | 1 | | | | |
| 1247 | ZS2362 | Enamelled drip tray for oven 30 | 1 | | | | |
| 1260 | ZS2395 | Hinge support 06 | 2 | | | | |
| 1303 | ZS2454 | Lower heating elem.support oven 30 04 | 1 | | | | |
| 1304 | ZS2455 | Lower heating element tray oven 30 04 | 1 | | | | |
| 1319 | ZS2488 | Trivet for oven 30 04 | 1 | | | | |
| 1324 | ZS2494 | Grill heating element support for muffle oven 30 enamelled 04 | 1 | | | | |
| 1413 | ZS2599 | Gasket oven 30 04 | 1 | | | | |
| 1422 | ZS2627 | White glass wool for rear side 30 oven 04 | 1 | | | | |
| 1423 | ZS2628 | White glass wool for 30 oven 04 | 1 | | | | |
| 1467 | ZS2604 | Support for safety thermostat 04 | 1 | | | | |
| 1760 | ZS3078 | Telescopic liner left | 1 | | | | |
| 1761 | ZS3079 | Telescopic liner right | 1 | | | | |
| 4115 | ZS6631 | Compete Lamp-holder for oven (max 25 W) | 1 | | | | |
| 4574 | ZS6005 | Fixing support for turnspit motor oven 60/90 | 1 | | | | |
| 5932 | ZP0119 | Turnspit hole cap | 1 | | | | |



| N° Object | Code | Description | Qty |
|-----------|--------|---|-----|
| 817 | ZS0458 | Drawer right regulation clip | 1 |
| 818 | ZS0459 | Drawer left regulation clip | 1 |
| 3484 | ZS5647 | "Steel - Stile in cucina" plate | 1 |
| 4062 | ZS6372 | Couple legobox rails partial opening push pull | 1 |
| 4164 | ZS6681 | Drawer lateral side for cooker S.Steel | 2 |
| 4419 | ZS6823 | Drawer door cooker 120 DC SF S.Steel | 1 |
| 4420 | ZS6824 | Counterdoor drawer cooker 100 double oven | 1 |
| 4421 | ZS6825 | Bottom drawer for cooker 120 DC S.Steel | 1 |
| 4422 | ZS6826 | Drawer rear side for cooker 120 double oven S.Steel | 1 |

| N° Object | Code | Description | Qty |
|-----------|--------|--|-----|
| 132 | ZS5148 | Adhesive tape 16,5 m x 19h (3M) | 160 |
| 725 | 601108 | Anti-overturning device | 0,3 |
| 1490 | ZS2824 | Wiring diagram for cooker S12FF-8 | 1 |
| 1586 | ZS2770 | Additional wiring generic L=60 cm Fem Fem | 2 |
| 2296 | ZS2666 | Wiring commutators L=20 cm | 4 |
| 2307 | ZS3763 | Wiring leds Party | 1 |
| 5050 | ZS7813 | Instruction booklet Top/Cooker Multilanguage | 1 |