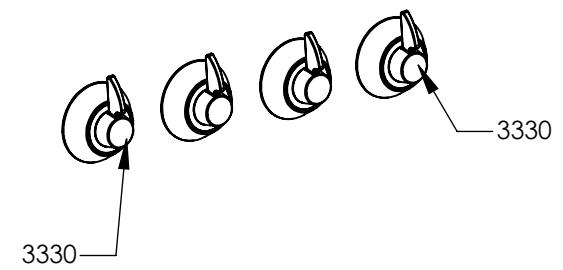
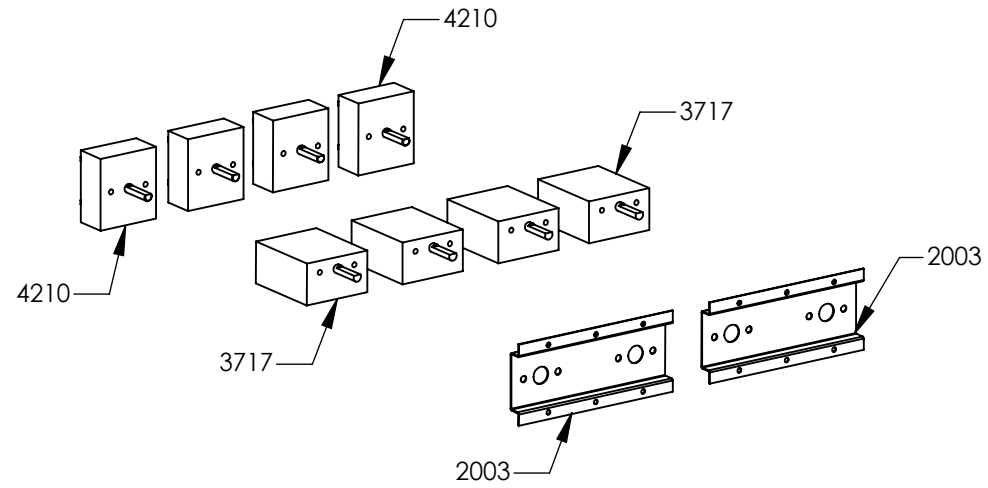
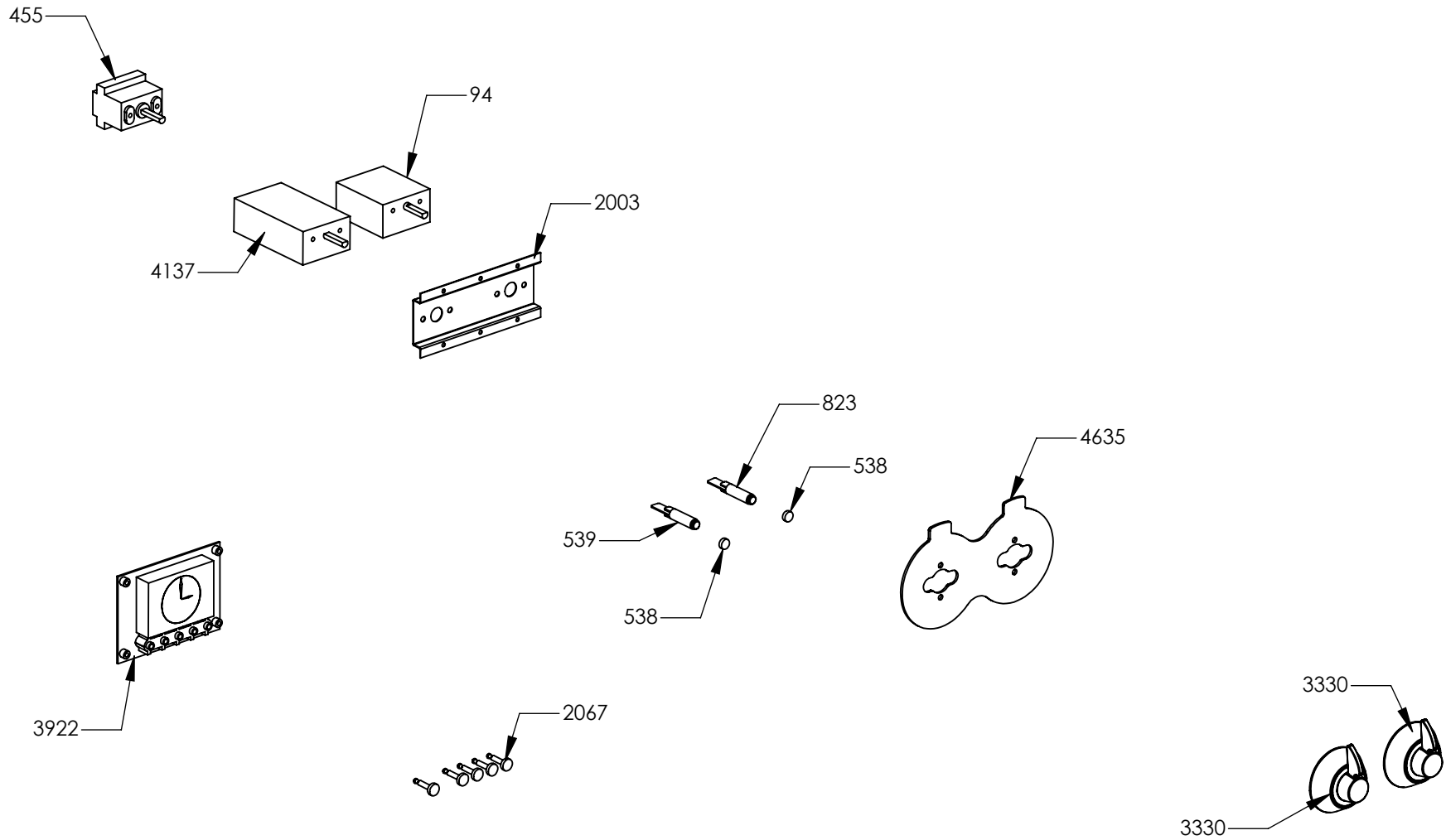


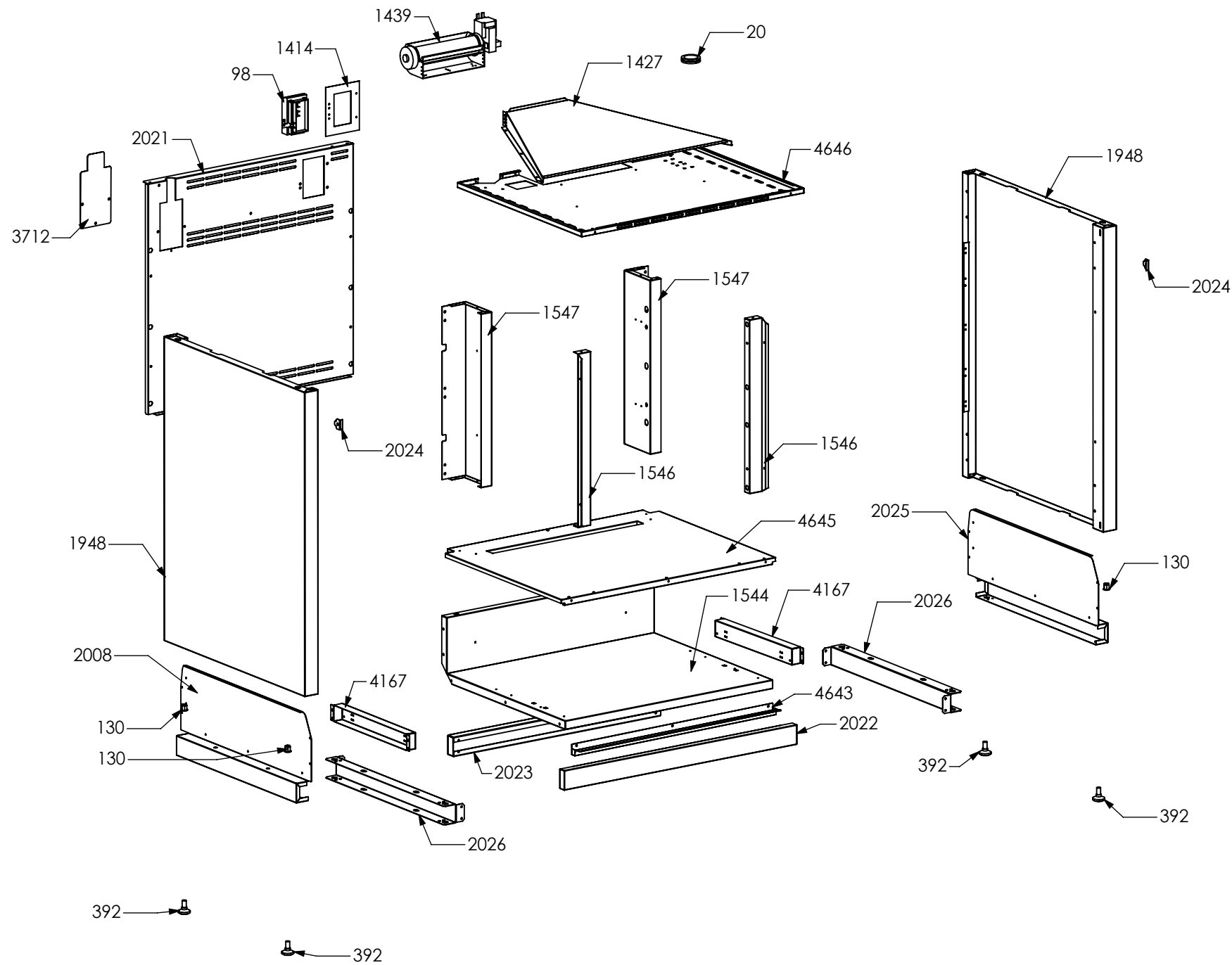
N° Object	Code	Description	Qty
1014	ZS2026	Termostat TY60 N.O. fixing B	1
1441	ZS2665	Support for fan timelag device	1
1575	ZS2931	Spacer between glasses	2
1606	ZS2995	Fixing spring for front profile	10
2018	ZS3230	Back splash for cooker 70 Ascot	1
2042	ZS3565	Profile control panel drawer 70 Ascot chromed	1
2051	ZS3642	Support for internal support control panel 70 Ascot	1
4266	ZS6787	Encoders control board	1
4538	ZS7118	Clamp support for induction 70 Sintesi front	1
4671	GR7355	Assembly cooktop cooker 70 induction Ascot	1
1957	ZS3495	Washer 4.3 x 10 x 3	4
4710	ZS6299	Glass for 70 induction cooker	1
5038	ZS7683	Complete upper right side Ascot VTRC/IND	1
5039	ZS7684	Complete upper left side Ascot VTRC/IND	1
4714	ZS6821	Support for electronic control induction element	1
4717	ZS7124	Clamp support for induction 70 Sintesi rear	1
4725	ZS7250	Induction 4 element EGO	1
4867	ZS7647	Control panel front 4 induction Ascot 70 SS with serygr.	1
5188	ZS8172	Handle for hob cooker Ascot 70 chromed terminal nickel	1
5783	ZS6817	Feet for electronic components EGO	3
5784	ZS6904	Cover for induction terminal board	1
5785	ZS6905	Bridge for induction terminal board	1



N° Object	Code	Description	Qty
2003	ZS3195	Commutator support 2 positions	2
3330	ZS5412	Ascot chromed knob	4
3717	ZS6026	Switch for induction encoder	4
4210	ZS5377	Energy regulator for induction 230 V EGO EU	4

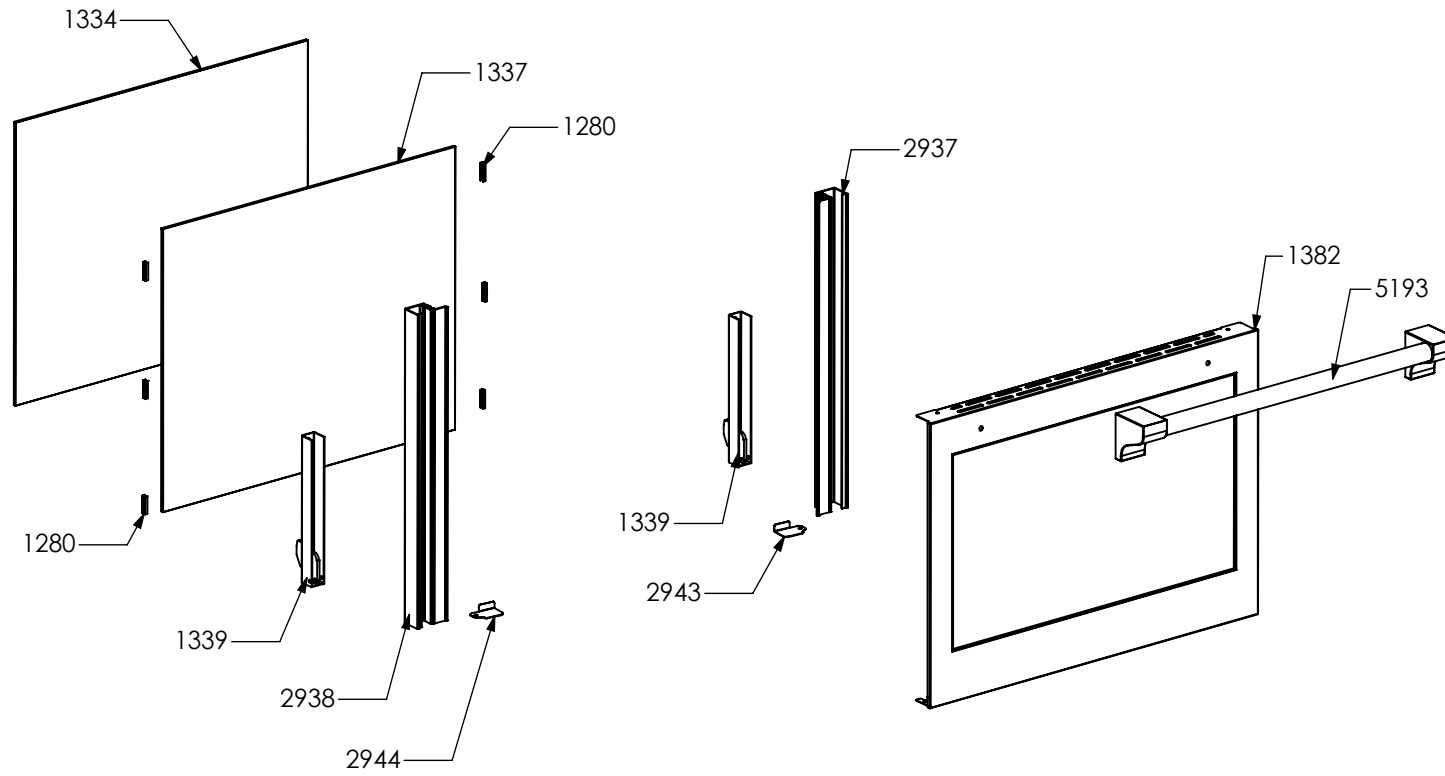


N° Object	Code	Description	Qty
94	481814	Commutator multif. for 90 built-in oven(no pizza)	1
455	ZS1075	Oven thermostat	1
538	ZS1204	Led transparent	2
539	ZS1205	Fluorescent green warning light	1
823	ZS1755	Fluorescent orange warning light	1
2003	ZS3195	Commutator support 2 positions	1
2067	ZS3785	Knob for timer gray	5
3330	ZS5412	Ascot chromed knob	2
3922	ZS6184	Timer (white led) LCD-ELA 1000	1
4137	ZS6655	Steam oven functions switch	1
4635	ZS7247	Bezel for function oven	1

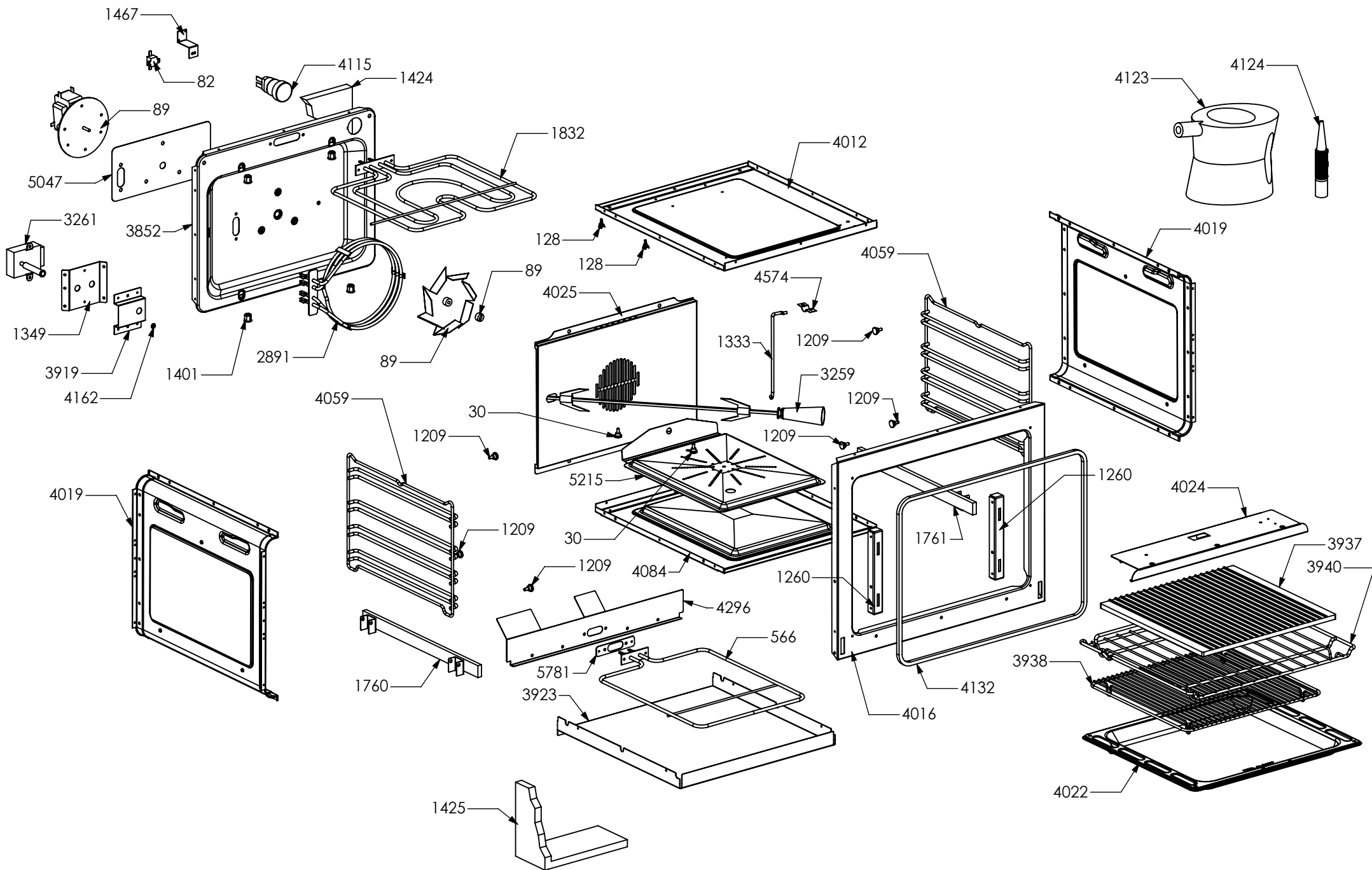


N° Object	Code	Description	Qty
20	401520	Black cap for glass front panel	1
98	481913	Terminal board for oven 32 PA 233	1
392	ZS0903	Sintesi black foot H.15	4
1414	ZS2601	Terminal board support	1
1427	ZS2634	Air conveyor for cooktop 070/070 double oven	1
1439	ZS2663	Cooling fan L=180 Plaset (AU)	1
1544	ZS2893	Lower guard for cooker 070 04	1
1546	ZS2895	Front support for muffle left/right side 70	2
1547	ZS2896	Rear support for muffle left/right side cooker 70	2
1948	ZS3225	Complete lower right/left side Ascot S.STEEL	2
2008	GR3201	Assembly support lower left side Ascot	1
130	601156	Tapping screw M10 galvanized	2
2026	ZS3318	Reinforcement drawer side structure plinth Ascot	1
2021	ZS3302	Rear guard for cooker 70 Ascot	1
2022	ZS3303	Plinth for cooker 70 Ascot	1
2023	ZS3304	Plinth rear for cooker 70 Ascot	1
2024	ZS3305	Fixing plate for top Ascot	2
2025	GR3317	Assembly support lower right side Ascot	1
130	601156	Tapping screw M10 galvanized	2
2026	ZS3318	Reinforcement drawer side structure plinth Ascot	1
3712	ZS5978	Ramp hole closing plate	1
4167	ZS6684	Spacer for drawer guide	2
4643	ZS6958	Bracket condensate collection for 070 Steam	1
4645	ZS7115	Upper guard for drawer 70	1
4646	ZS7117	Muffle fan guard cooker 070/070 double oven	1

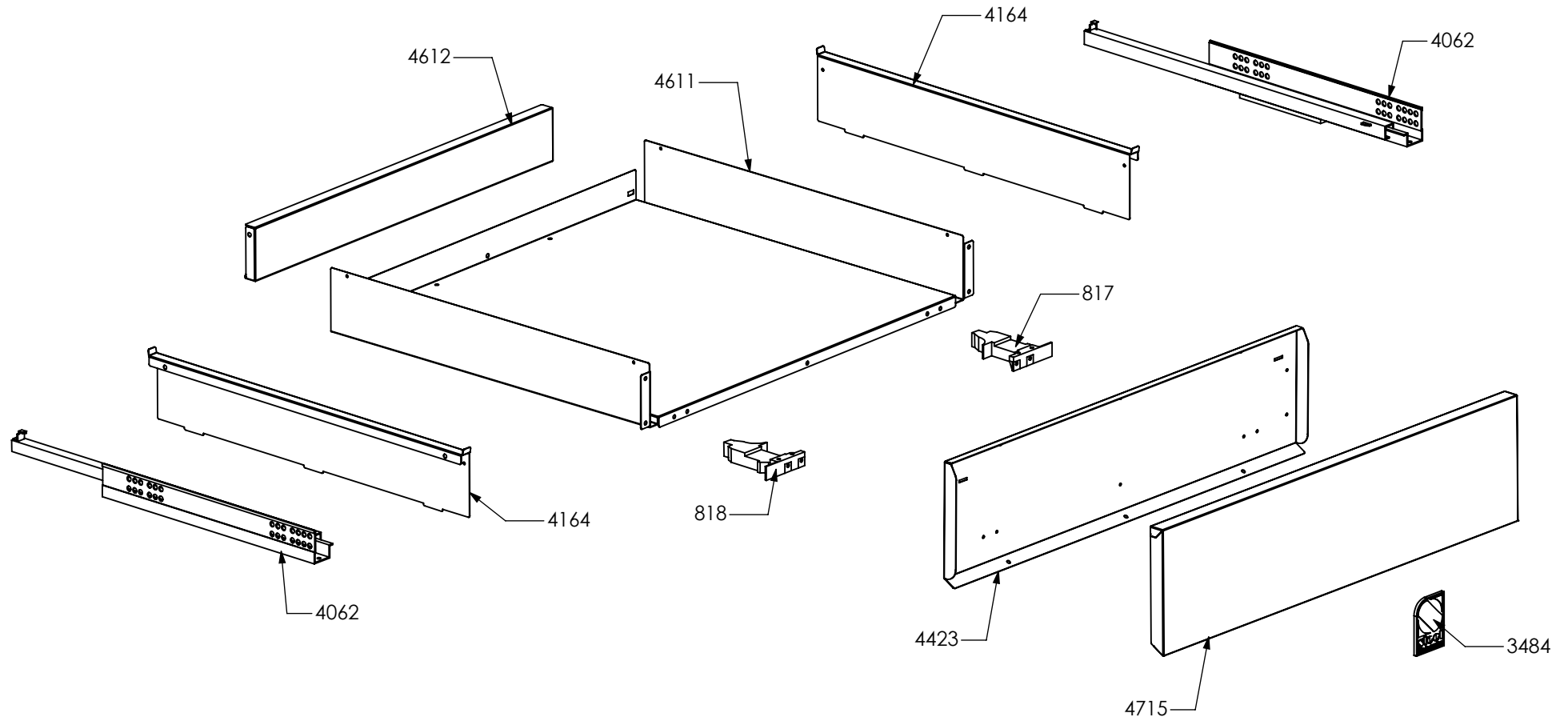
2722



N° Object	Code	Description	Qty
2722	GR4336	Assembly glued oven door 60/70 Ascot	1
2937	GR4313	Assembly door 30/60/90 right bar profile 07	1
2938	GR4314	Assembly door 30/60/90 left bar profile 07	1
1334	ZS2308	Inner glass oven door 60	1
1337	ZS2393	In-between glass oven door 60 04	1
1339	ZS2416	Door hinge for multifunction oven 60	2
1280	ZS2419	Spring for door glass assembling 04	6
1382	ZS2548	Glued external oven door 60/070	1
2943	ZS4746	Right support for inner glass	1
2944	ZS4747	Left support for inner glass	1
5193	ZS8177	Handle for oven door 60 Ascot 70/100 chromed terminal nickel	1



N° Object	Code	Description	Qty	N° Object	Code	Description	Qty
30	411213	Lateral frame support for built-in oven	2	4022	ZS7594	Drip tray for oven 60 S.Steel TDL	1
82	481403	Thermoswitch 16 Ampere	1	4024	ZS6246	Grill heating element support for muffle oven 60 S.Steel	1
89	481727	Circular tangential oven 90 fan (AU) with fan and nut	1	4025	ZS6247	Fan cover for oven 60 with turnspit hole S.STEEL	1
128	601152	Spring fixing feeler for built-in oven	2	4059	ZS6034	Oven lateral frame 30/60/90 S.Steel	2
566	ZS7590	Lower heating element for oven 60 (1200W/230V)	1	4084	ZS6542	Complete muffle bottom for oven 60 S.Steel Steam	1
1209	414559	Lateral frame support for built-in oven	6	4115	ZS6631	Complete Lamp-holder for oven (max 25 W)	1
1260	ZS2395	Hinge support 06	2	4123	ZS6653	Carafe graduate 0.5	1
1333	ZS2289	Support for grillrod 60/90	1	4124	ZS6654	Steam flexible pipe	1
1349	ZS2499	Fixing support for turnspit motor oven 60/90	1	4132	ZS6541	Gasket oven 60 H=8.9 mat HT	1
1424	ZS2629	White glass wool for rear side 60 oven 04	1	4162	ZS6679	O-ring 3021 viton	1
1425	ZS2632	White glass wool for 60 oven 04	1	4296	ZS9953	Lower heating elem.support oven 60	1
1467	ZS2604	Support for safety thermostat 04	1	4574	ZS6005	Fixing support for turnspit motor oven 60/90	1
1760	ZS3078	Telescopic liner left	1	5047	ZS7807	Reinforce fan cover for oven 90 with turnspit hole S.STEEL	1
1761	ZS3079	Telescopic liner right	1	5215	ZS8228	Steam generator cover 60	1
1832	482094	Grill heating element for oven 60 (1900+850W)	1	5781	ZS6558	Adapter for lower heating elements	1
2891	482589	Circular heating element 230V-2100W	1				
3259	ZS5174	Turnspit for oven 60 (4 forks + handle) - 04	1				
3261	ZS5236	Turnspit motor reducer 50/60 Hz	1				
3852	GR6224	Assembly rear muffle oven 60/100 S.Steel TDL	1				
1401	ZS2585	Tapping screw M5 aluminium	4				
3919	ZS6002	Reinforce for fixing support for turnspit motor oven 60/90	1				
3923	ZS6193	Lower heating element tray oven 60 04	1				
3937	ZS6339	Ceramic tiles for oven	1				
3938	ZS6340	S.steel Trivet for oven 60	1				
3940	ZS6342	S.steel wire grid for oven 60	2				
4012	ZS6215	Stainless Steel muffle ceiling oven 60	1				
4016	ZS6219	S.Steel muffle front side oven 60	1				
4019	ZS6222	Side muffle oven 30/60/90 S.Steel TDL	2				



N° Object	Code	Description	Qty
817	ZS0458	Drawer right regulation clip	1
818	ZS0459	Drawer left regulation clip	1
3484	ZS5647	"Steel - Stile in cucina" plate	1
4062	ZS6372	Couple legobox rails partial opening push pull	1
4164	ZS6681	Drawer lateral side for cooker S.Steel	2
4423	ZS6832	Counterdoor drawer cooker 070 SF	1
4611	ZS6833	Bottom drawer for cooker 070 S.Steel	1
4612	ZS6834	Drawer rear side for cooker 070 S.Steel	1
4715	ZS6831	Drawer door cooker 070 SF s.steel	1

N° Object	Code	Description	Qty
132	ZS5148	Adhesive tape 16,5 m x 19h (3M)	80
725	601108	Anti-overturning device	0,3
1329	ZS5150	Adhesive tape 33 mt x 25h mm x Th 1.55 mm (3M)	7000
1586	ZS2770	Additional wiring generic L=75 cm Fem Fem	2
2205	ZS3753	Tapping screw M5 s.steel	2
2296	ZS2666	Wiring commutators L=20 cm	2
2307	ZS3763	Wiring leds Party	1
4779	ZS7489	Wiring diagram for cooker S7S-4I	1
5050	ZS7813	Instruction booklet Top/Cooker Multilanguage	1
5212	ZS8219	Aluminium adhesive badge "CombiSteam"	1
5357	ZS8592	Instruction booklet Combi steam Oven	1