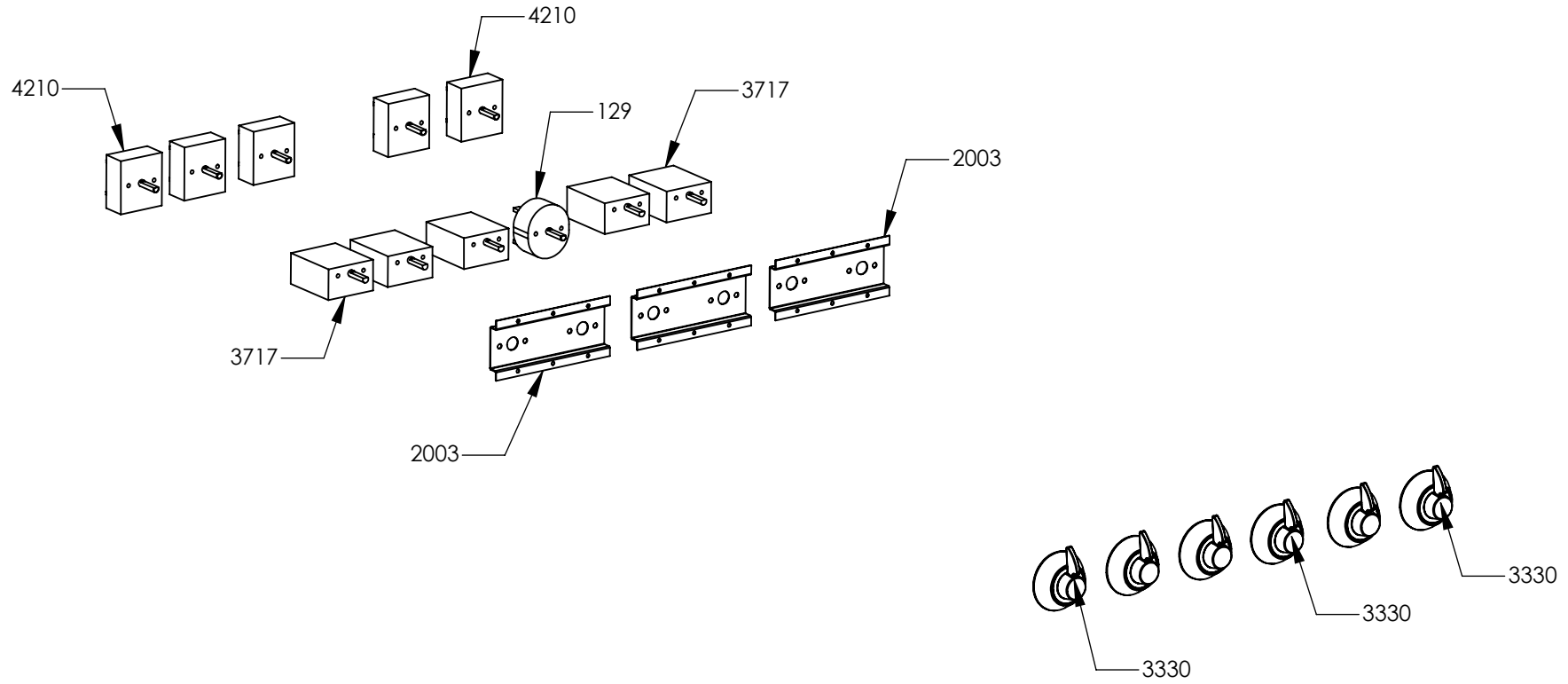
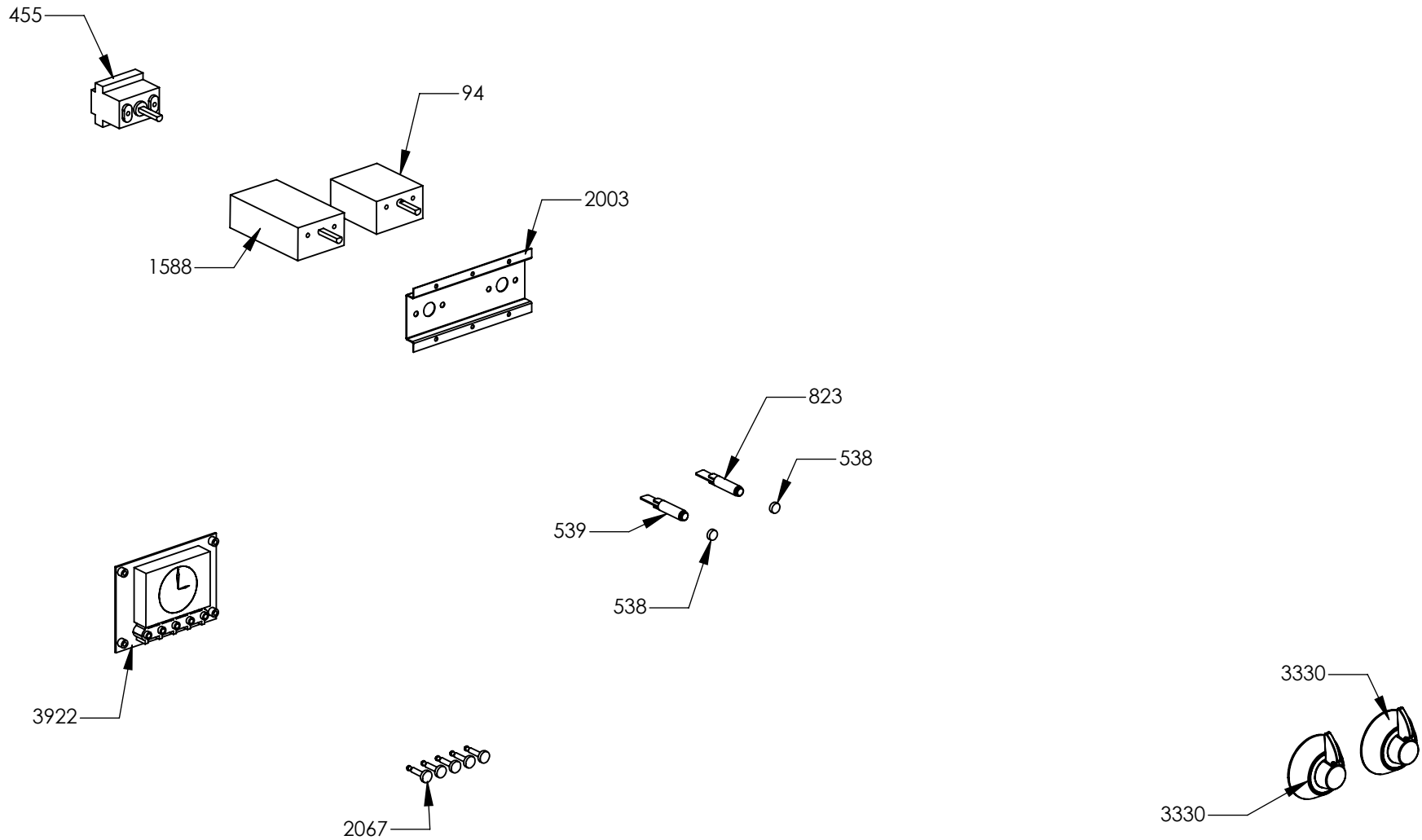


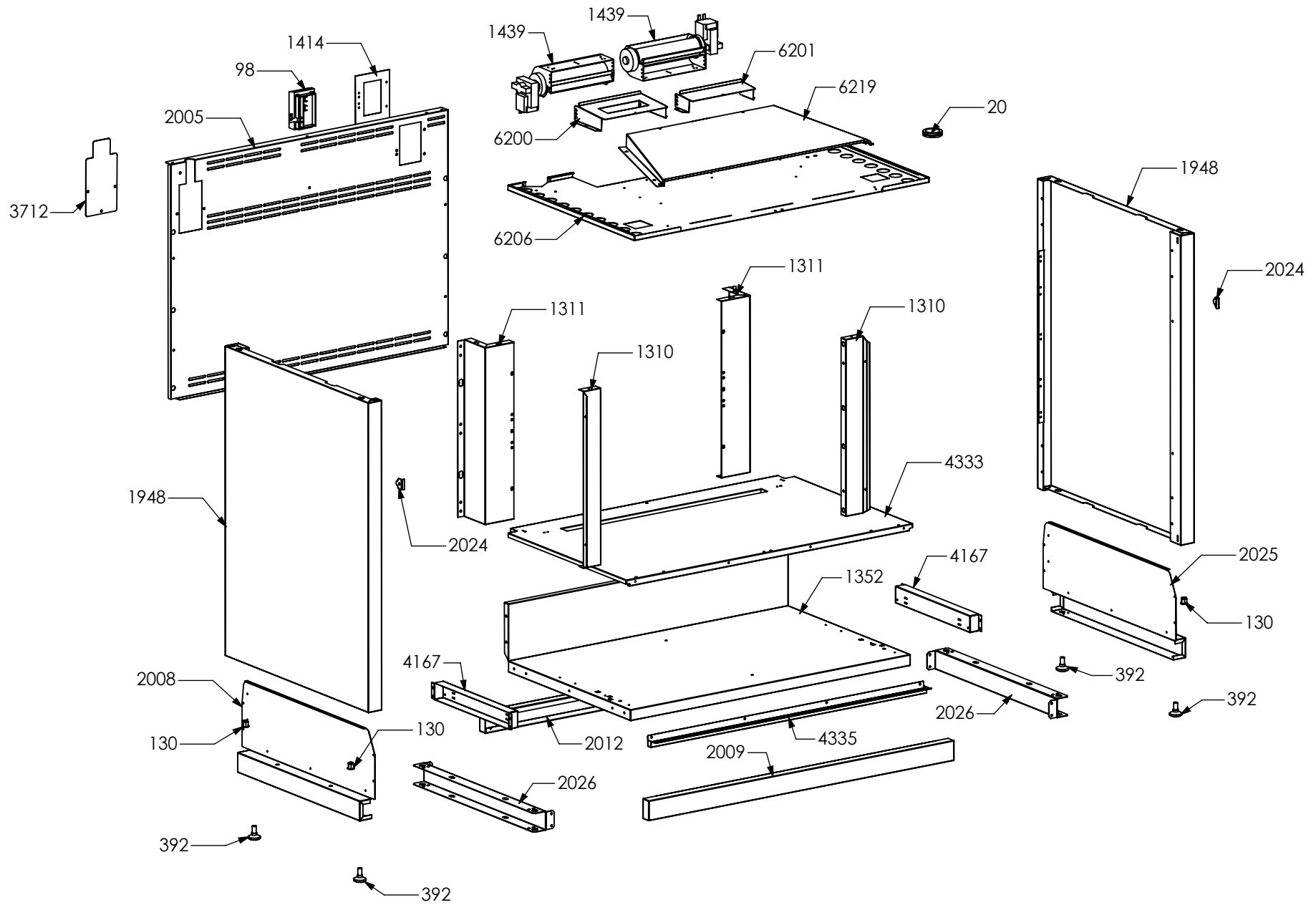
N° Object	Code	Description	Qty
1014	ZS2026	Termostat TY60 N.O. fixing B	2
1441	ZS2665	Support for fan timelag device	1
1575	ZS2931	Spacer between glasses	2
1606	ZS2995	Fixing spring for front profile	16
1999	ZS3184	Back splash for cooker 90 Ascot	1
2027	ZS3327	Support for internal support control panel 90 Ascot	1
4266	ZS6787	Encoders control board	1
5189	ZS8173	Handle for hob cooker Ascot 90 chromed terminal nickel	1
5783	ZS6817	Feet for electronic components EGO	3
5784	ZS6904	Cover for induction terminal board	1
5785	ZS6905	Bridge for induction terminal board	1
6036	ZS8446	Clamp support for induction 90/100 Sintesi front / rear	2
6038	ZS8877	Support for electronic control induction element	1
6071	ZA0469	Induction 5 element OCTA EGO 75.08016.610	1
6094	GP0201	Assembly cooktop cooker 90 induction Ascot OCTA	1
6069	ZA0467	Glass for 90 induction hob or cooker	1
1957	ZS3495	Washer 4.3 x 10 x 3	4
5038	ZS7683	Complete upper right side Ascot VTRC/IND	1
5039	ZS7684	Complete upper left side Ascot VTRC/IND	1
6153	ZC0333	Profile control panel drawer 90 Ascot internal black	1
6215	ZP0425	Support for fan timelag device	1
6305	ZP0394	Profile control panel drawer 90 Ascot external inox	1
6373	ZC0418	Control panel front 5FI induction Ascot 90 inox with serygr.	1



N° Object	Code	Description	Qty
129	601154	Timer	1
2003	ZS3195	Commutator support 2 positions	3
3330	ZS5412	Ascot chromed knob	6
3717	ZS6026	Switch for induction encoder	5
4210	ZS5377	Energy regulator for induction 230 V EGO EU	5

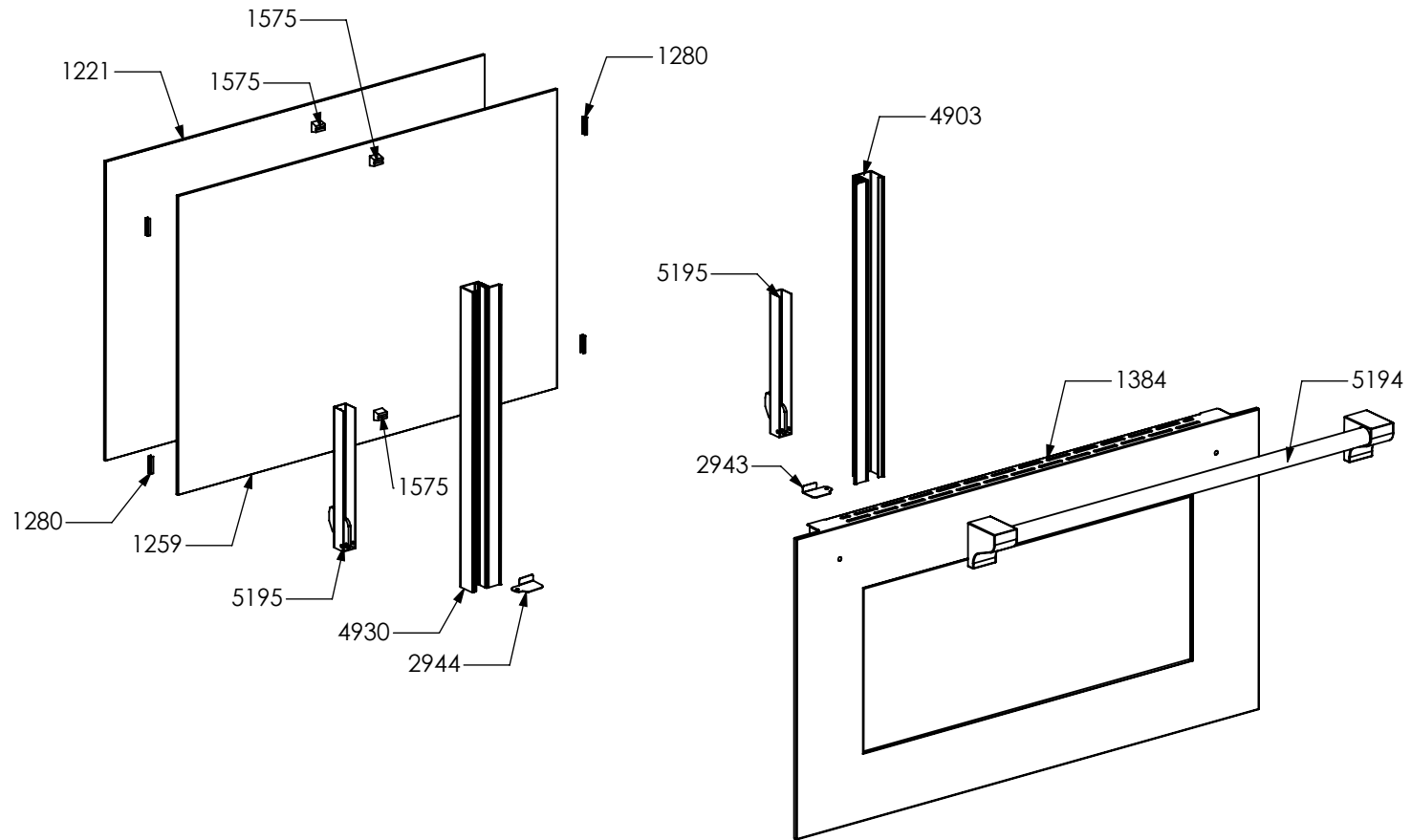


N° Object	Code	Description	Qty
94	481814	Commutator multif. for 90 built-in oven(no pizza)	1
455	ZS1075	Oven thermostat	1
538	ZS1204	Led transparent	2
539	ZS1205	Fluorescent green warning light	1
823	ZS1755	Fluorescent orange warning light	1
1588	ZS2889	Commutator oven functions 90 EGO	1
2003	ZS3195	Commutator support 2 positions	1
2067	ZS3785	Knob for timer gray	5
3330	ZS5412	Ascot chromed knob	2
3922	ZS6184	Timer (white led) LCD-ELA 1000	1

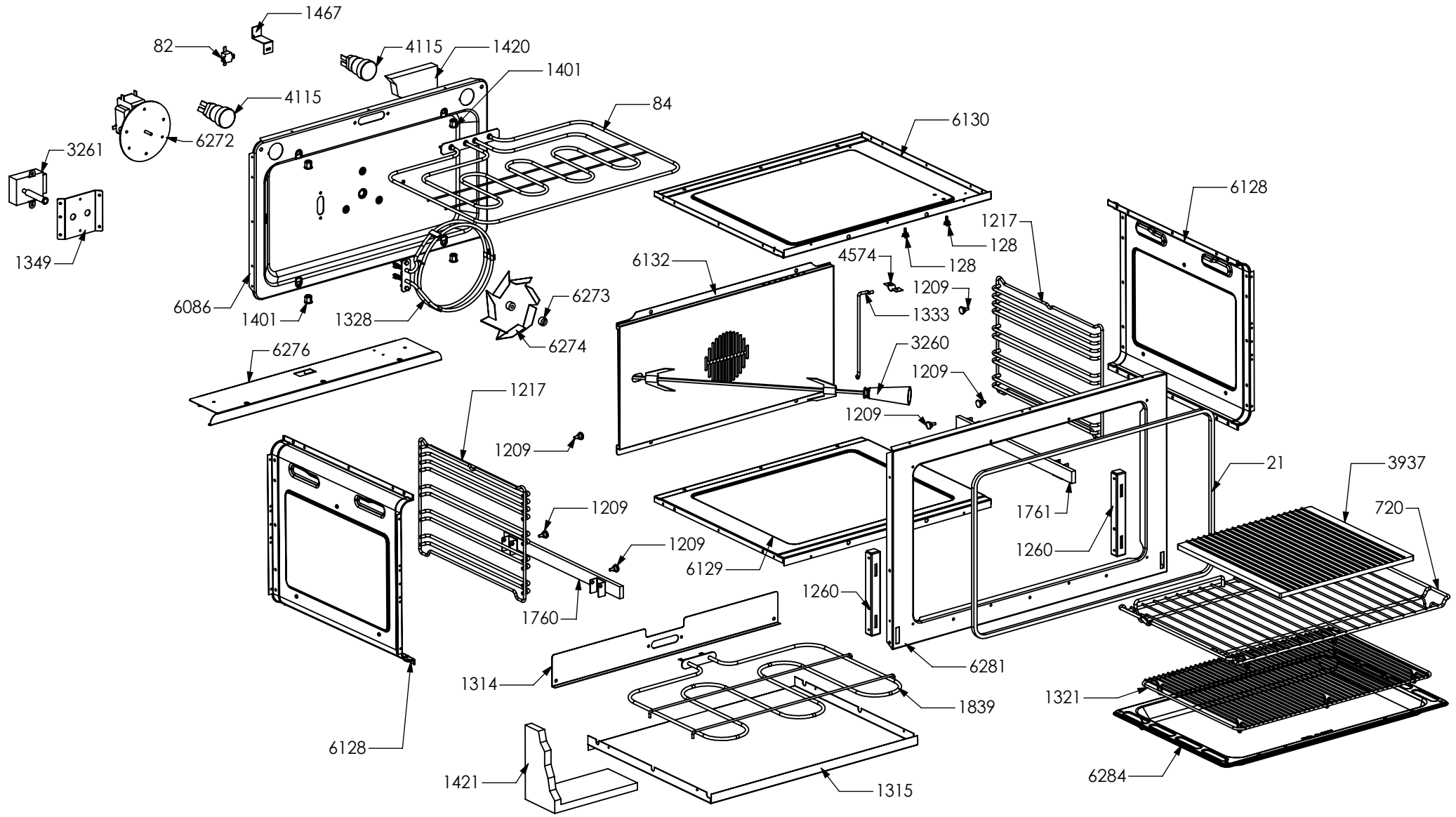


N° Object	Code	Description	Qty	N° Object	Code	Description	Qty
20	401520	Black cap for glass front panel	1				
98	481913	Terminal block for oven 32 PA 233	1				
392	ZS0903	Sintesi black foot H.15	4				
1310	ZS2464	Front support for muffle left/right side 90 04	2				
1311	ZS2465	Rear support for muffle left/right side 90 04	2				
1352	ZS2503	Lower guard for cooker 090 04	1				
1414	ZS2601	Terminal board support	1				
1439	ZS2663	Cooling fan L=180 Plaset (AU)	2				
1948	ZS3225	Complete lower right/left side Ascot S.STEEL	2				
2005	ZS3197	Rear guard for cooker 90 Ascot	1				
2008	GR3201	Assembly support lower left side Ascot	1				
130	601156	Tapping screw M10 galvanized	2				
2026	ZS3318	Reinforcement drawer side structure plinth Ascot	1				
2009	ZS3202	Plinth for cooker 90 Ascot	1				
2012	ZS3205	Plinth rear for cooker 90 Ascot	1				
2024	ZS3305	Fixing plate for top Ascot	2				
2025	GR3317	Assembly support lower right side Ascot	1				
130	601156	Tapping screw M10 galvanized	2				
2026	ZS3318	Reinforcement drawer side structure plinth Ascot	1				
3712	ZS5978	Ramp hole closing plate	1				
4167	ZS6684	Spacer for drawer guide	2				
4333	ZS6888	Upper guard for drawer 90	1				
4335	ZS6890	Bracket condensate collection for 090 Steam	1				
6200	ZP0349	Air conveyor for cooktop SX	1				
6201	ZP0350	Air conveyor for cooktop DX	1				
6206	ZP0373	Muffle fan guard cooker 90 cm	1				
6219	ZP0434	Air conveyor for cooktop 90	1				

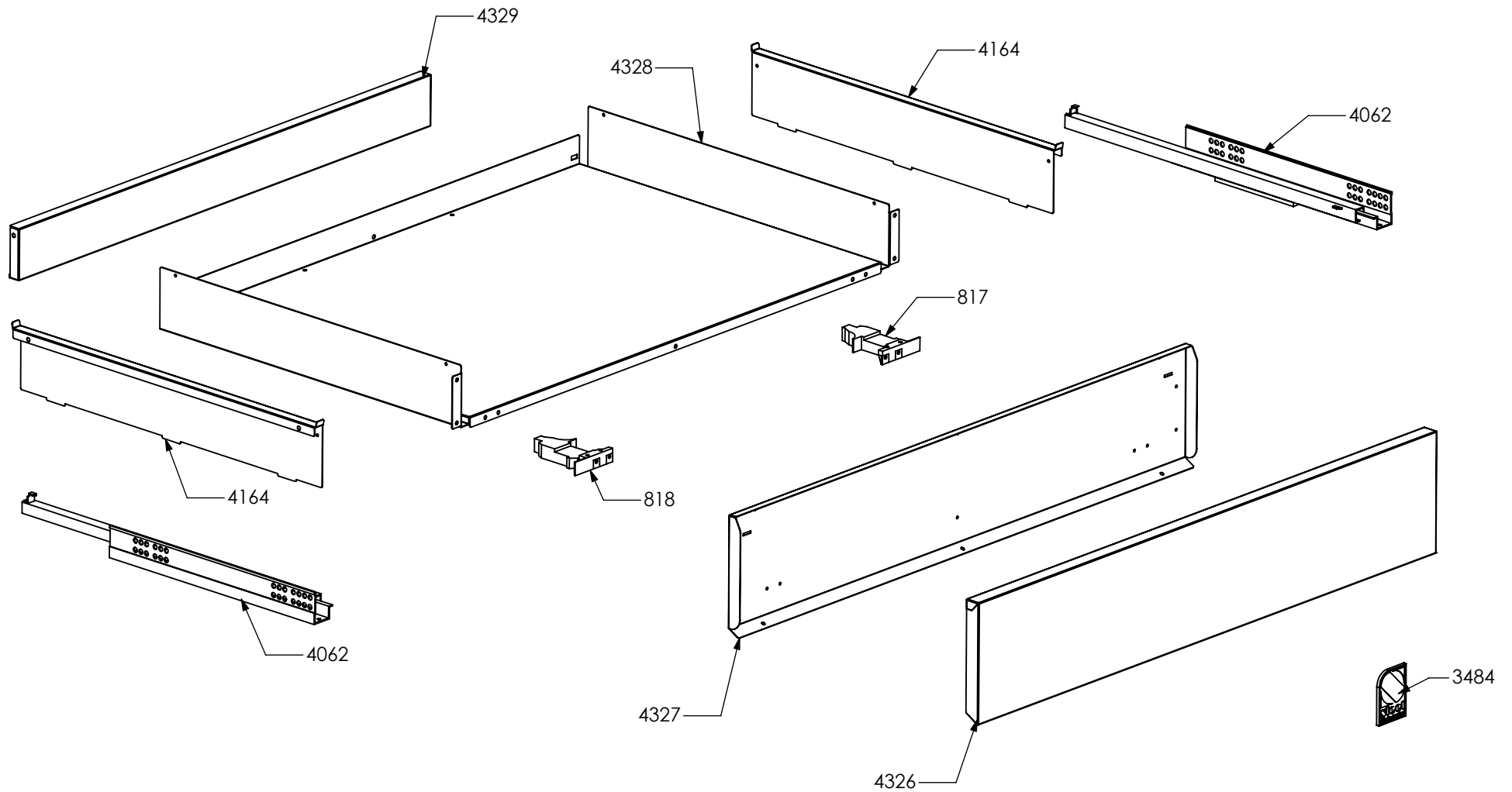
2734



N° Object	Code	Description	Qty
2734	GR4348	Assembly glued oven door 90 Ascot	1
4903	GR7666	Assembly door 30/60/90 right bar profile 15	1
4930	GR8097	Assembly door 30/60/90 left bar profile 15	1
1221	ZS2307	Inner glass oven door 90	1
1259	ZS2394	In-between glass oven door 90 04	1
1280	ZS2419	Spring for door glass assembling 04	4
1384	ZS2552	Glued external oven door 90	1
1575	ZS2931	Spacer between glasses	4
2943	ZS4746	Right support for inner glass	1
2944	ZS4747	Left support for inner glass	1
5194	ZS8178	Handle for oven door 90 Ascot 90/120 chromed terminal nickel	1
5195	ZS8180	Door hinge for oven 90	2



N° Object	Code	Description	Qty	N° Object	Code	Description	Qty
21	401638	Gasket oven 90	1	6129	ZC0297	Enamelled muffle bottom for oven 90 grey	1
82	481403	Thermoswitch 16 Ampere	1	6130	ZC0298	Enamelled muffle ceiling oven 90 grey	1
84	481589	Grill heating element for oven 90	1	6132	ZC0301	Fan cover for oven 90 with turnspit hole grey	1
128	601152	Spring fixing feeler for built-in oven	2	6272	ZA0488	Circular tangential oven 90 fan without fan and nut	1
720	451200	Chromed wire grid for oven 90 AU	2	6273	ZA0489	Nut for circular tangential oven	1
1209	414559	Lateral frame support for built-in oven	6	6274	ZA0490	Fan for circular tangential oven	1
1217	ZS2283	Oven lateral frame 30/60/90	2	6276	ZC0303	Grill heating element support for muffle oven 90 enamelled grey	1
1260	ZS2395	Hinge support 06	2	6281	ZC0354	Enamelled muffle front side oven 90 grey	1
1314	ZS2468	Lower heating elem.support oven 90 04	1	6284	ZC0357	Enamelled drip tray for oven 90 grey	1
1315	ZS2469	Lower heating element tray oven 90 04	1				
1321	ZS2490	Trivet for oven 90 04	1				
1328	482325	Circular heating element 230V-2500W	1				
1333	ZS2289	Support for grillrod 60/90	1				
1349	ZS2499	Fixing support for turnspit motor oven 60/90	1				
1420	ZS2625	White glass wool for rear side 90 oven	1				
1421	ZS2626	White glass wool for 90 oven 04	1				
1467	ZS2604	Support for safety thermostat 04	1				
1760	ZS3078	Telescopic liner left	1				
1761	ZS3079	Telescopic liner right	1				
1839	ZS3082	Lower heating element for oven 90 (1400 W)	1				
3260	ZS5175	Turnspit for oven 90 (4 forks + handle) - 04	1				
3261	ZS5236	Turnspit motor reducer 50/60 Hz	1				
3937	ZS6339	Ceramic tiles for oven	1				
4115	ZS6631	Complete Lamp-holder for oven (max 25 W)	2				
4574	ZS6005	Fixing support for turnspit motor oven 60/90	1				
6086	GP0155	Assembly rear muffle oven 90 enamelled grey	1				
1401	ZS2585	Tapping screw M5 aluminium	4				
6128	ZC0296	Side muffle oven 30/60/90 enamelled 04 grey	2				



N° Object	Code	Description	Qty
817	ZS0458	Drawer right regulation clip	1
818	ZS0459	Drawer left regulation clip	1
3484	ZS5647	"Steel - Stile in cucina" plate	1
4062	ZS6372	Couple legobox rails partial opening push pull	1
4164	ZS6681	Drawer lateral side for cooker S.Steel	2
4326	ZS6827	Drawer door cooker 090 SF s.steel	1
4327	ZS6828	Counterdoor drawer cooker 90 SF	1
4328	ZS6829	Bottom drawer for cooker 090 S.Steel	1
4329	ZS6830	Drawer rear side for cooker 090 S.Steel	1

N° Object	Code	Description	Qty
132	ZS5148	Adhesive tape 16,5 m x 19h (3M)	80
725	601108	Anti-overturning device	0,3
1329	ZS5150	Adhesive tape 33 mt x 25h mm x Th 1.55 mm (3M)	15000
1586	ZS2770	Additional wiring generic L=75 cm Fem Fem	2
2296	ZS2666	Wiring commutators L=20 cm	2
2307	ZS3763	Wiring leds Party	1
5050	ZS7813	Instruction booklet Top/Cooker Multilanguage	1
6112	ZA0628	Wiring diagram for cooker S9F-6I	1