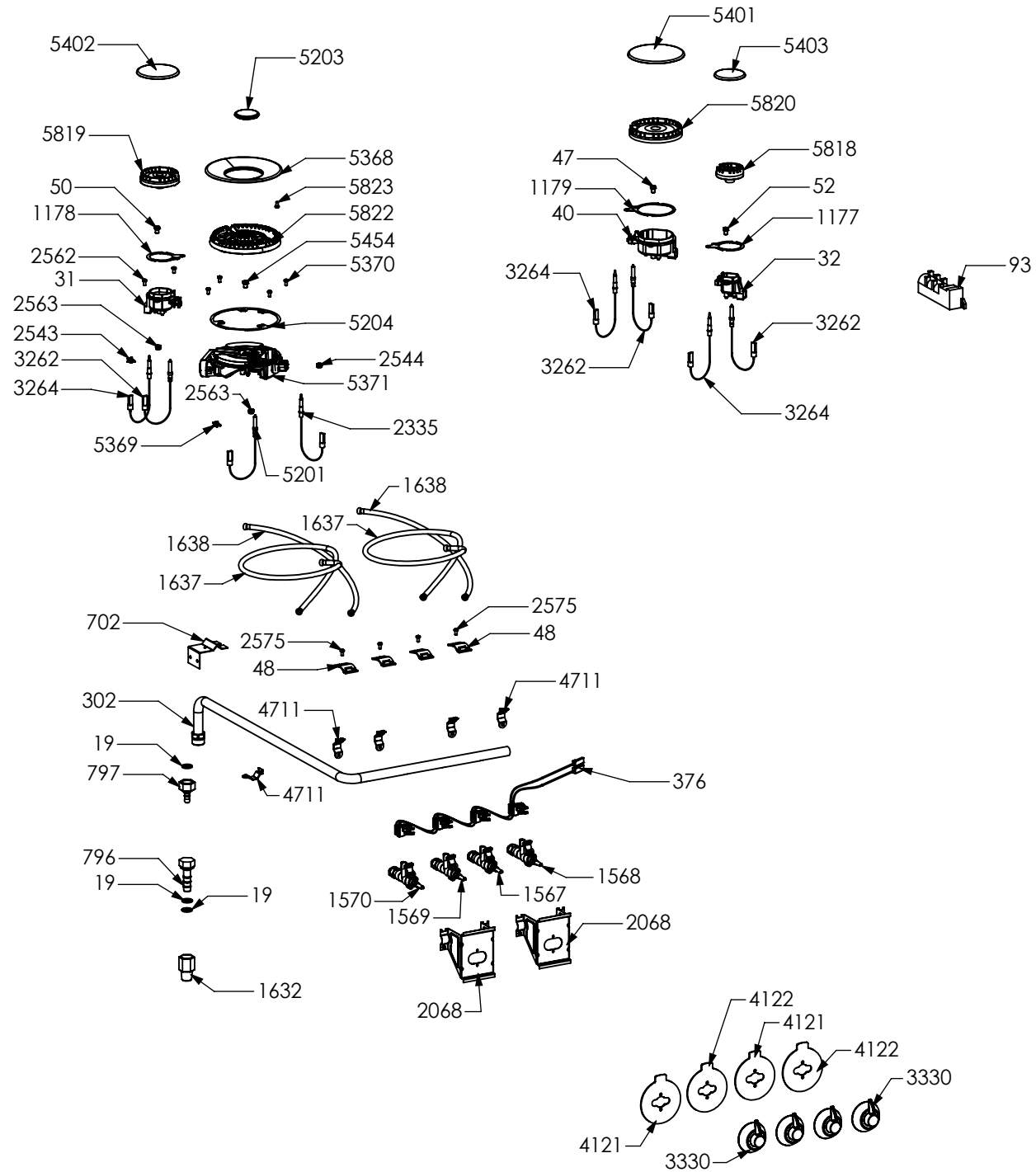
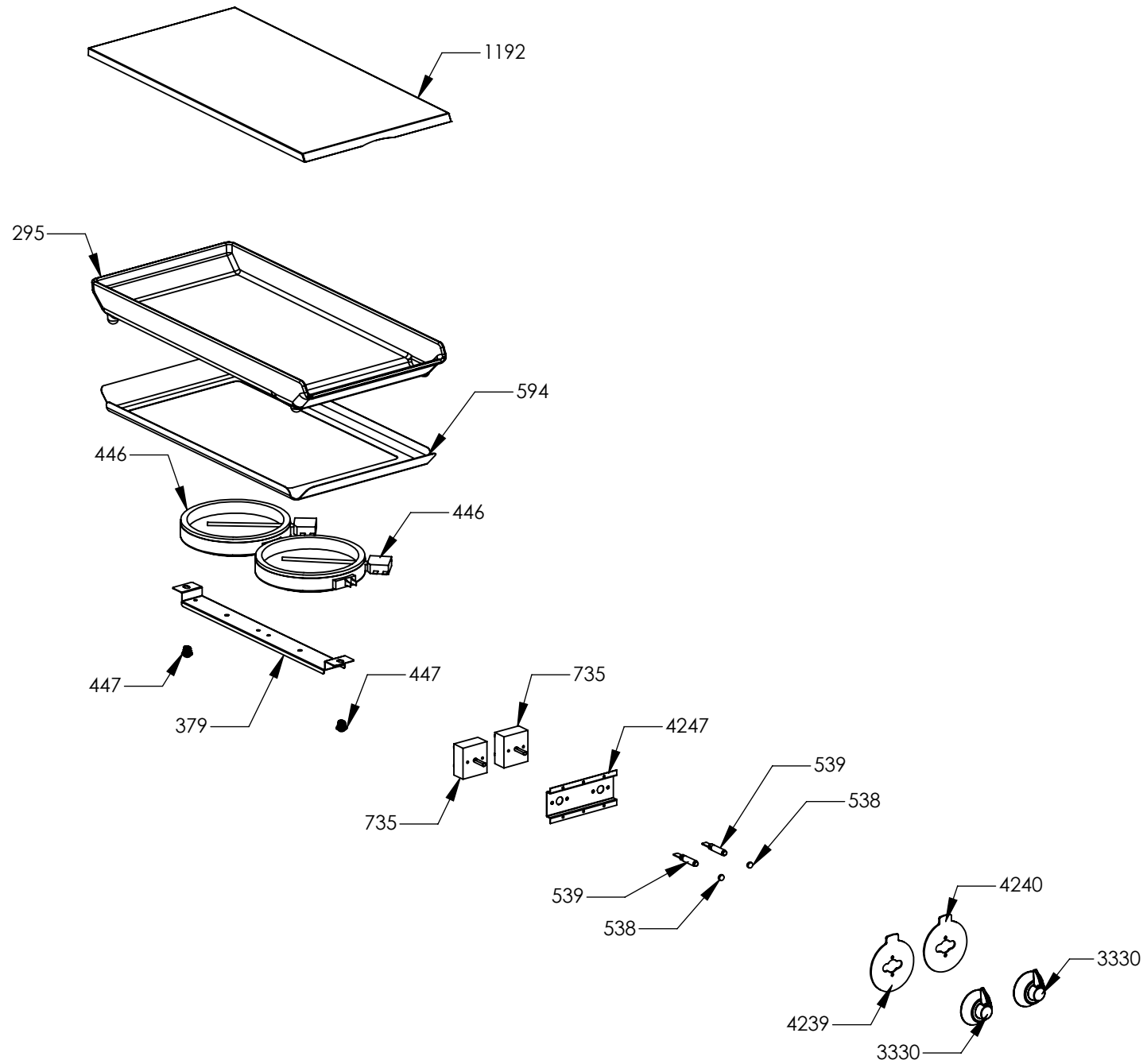


N° Object	Code	Description	Qty
18	400006	Protection door	4
98	481913	Terminal board for oven 32 PA 233	1
731	ZS0565	Cast-iron grid for wok	1
794	ZS1058	Vitroglass for fry-top/barbecue	1
1414	ZS2601	Terminal board support	1
1575	ZS2931	Spacer between glasses	2
1957	ZS3495	Washer 4.3 x 10 x 3	4
1999	ZS3184	Back splash for cooker 90 Ascot	1
2024	ZS3305	Fixing plate for top Ascot	2
2030	ZS3532	Profile control panel drawer 90 Ascot chromed	1
3032	ZS4391	Cast-iron grid 2 burners Ascot 07	2
3682	ZS5929	Complete short lower side Ascot	2
4060	ZS6283	Rear guard for hob 90 Ascot	1
4063	ZS6375	Ramp hole closing plate	1
4064	ZS6376	Support for internal support control panel 90 Ascot	1
4091	ZS6568	Lower guard for hob 90 ascot	1
5036	ZS7681	Complete upper right side Ascot	1
5037	ZS7682	Complete upper left side Ascot	1
5082	ZS7958	"Steel - Stile in cucina" plate	1
5189	ZS8173	Handle for hob cooker Ascot 90 chromed terminal nickel	1
5770	ZP0131	Complete spill tray top 90 4 burners fry-top Ascot	1
6001	ZS6716	Control panel front 4 burners B/T Ascot top 90 S.STEEL	1



N° Object	Code	Description	Qty	N° Object	Code	Description	Qty
19	400689	Gasket gas inlet	3	2562	506037	Screw M3x8 TC s.steel	6
31	414121	Semi-rapid burner body G20 0,97	1	2563	ZS0907	Fixing nut for thermocouple	3
32	414123	Auxiliary burner body G20 0,72	1	2575	505241	Screw M4	4
40	414212	Rapid burner body G20 1,15	1	3262	ZS5270	Burner spark plug Cast	3
47	421312	Rapid burner nozzle G30/31 29/37 mbar 0,85	1	3264	ZS5272	Thermocouple Cast L=770	3
48	421323	Gas taps fixing bridle M60	4	3330	ZS5412	Ascot chromed knob	4
50	423948	Semi-rapid burner nozzle G30/31 0,65	1	4121	ZS6651	Bezel for front gas burner	2
52	423951	Auxiliary burner nozzle G30/30 0,50	1	4122	ZS6652	Bezel for rear gas burner	2
93	481787	Ignition system 4 flames	1	4711	ZS6772	Clamp support for main ramp	5
302	ZS0594	Ramp 4 burners top 090	1	5201	ZS8191	Wok burner spark plug sbf DCC M+G INT	1
376	ZS0813	Micro catenary for 4 burners	1	5203	ZS8193	Plate central Wok burner	1
702	ZS1900	Rear ramp fixing support cooker 70/90/120	1	5204	ZS8194	Gasket for wok burner	1
796	410610	Pipe holder (G20)IT	1	5368	ZS8633	Plate Wok burner external	1
797	410645	Pipe holder (G30)	1	5369	ZS8634	Spring fixing spark plug for Wok	1
1177	ZS2217	Gasket for auxiliary burner	1	5370	ZS8635	Screw M4 wok burner	4
1178	ZS2218	Gasket for semi-rapid burner	1	5371	ZS8637	Wok burner body G20/20 1,32	1
1179	ZS2219	Gasket for rapid burner	1	5401	ZS8684	Plate rapid burner HE2	1
1567	ZS2923	Valved tap for auxiliary burner (bypass 0,27)	1	5402	ZS8685	Plate semi-rapid burner HE2	1
1568	ZS2924	Valved tap for rapid/fish-kettle burner	1	5403	ZS8686	Plate auxiliary burner HE2	1
1569	ZS2925	Valved tap for semi-rapid burner	1	5454	ZS8831	Mega Wok burner nozzle G30/30 0.94	1
1570	ZS2926	Valved tap for triple-ring burner	1	5818	ZS8625	Auxiliary burner flame spreader HE2 ALU	1
1632	ZS3021	Adapter female-male 1/2 BSP 04	1	5819	ZS8627	Semi-rapid burner flame spreader HE2 ALU	1
1637	ZS3058	Pipe ramp for front left triple ring burner cooker 90 05	2	5820	ZS8629	Rapid burner flame spreader HE2 ALU	1
1638	ZS3059	Pipe ramp for rear left semi-rapid burner cooker 90 05	2	5822	ZS8639	Wok burner flame spreader ALU	1
2068	ZS3791	Ramp fixing support Ascot /XXL	2	5823	ZS8645	Pins for Wok	1
2335	ZS4181	Thermocouple SBF L=750 TC	1				
2543	601229	Spring fixing spark plug for triple ring P-4	1				
2544	ZS4186	Fixing nut for thermocouple burner 4.5	1				



N° Object	Code	Description	Qty
295	ZS0580	Fry-top cast-iron griddle	1
379	ZS0820	Barbecue cast-iron griddle support	1
446	ZS1059	Heating element barbecue 1200/230 th.7	2
447	ZS1061	Spring for griddle heating el. support	2
538	ZS1204	Led transparent	2
539	ZS1205	Fluorescent green warning light	2
594	ZS1667	Protection frame for barbecue griddle	1
735	ZS1076	Energy regulator 230 V EGO EU	2
1192	ZS0553	Fry-top/barbecue stainless steel covering	1
3330	ZS5412	Ascot chromed knob	2
4239	ZS6718	Bezel for front barbecue	1
4240	ZS6719	Bezel for rear barbecue	1
4247	ZS6732	Commutator support 2 positions	1

N° Object	Code	Description	Qty
521	ZS1176	Wiring diagram for hob S9-4B/T	1
725	601108	Anti-overturning device	0,3
2296	ZS2666	Wiring commutators L=20 cm	2
5050	ZS7813	Instruction booklet Top/Cooker Multilanguage	1