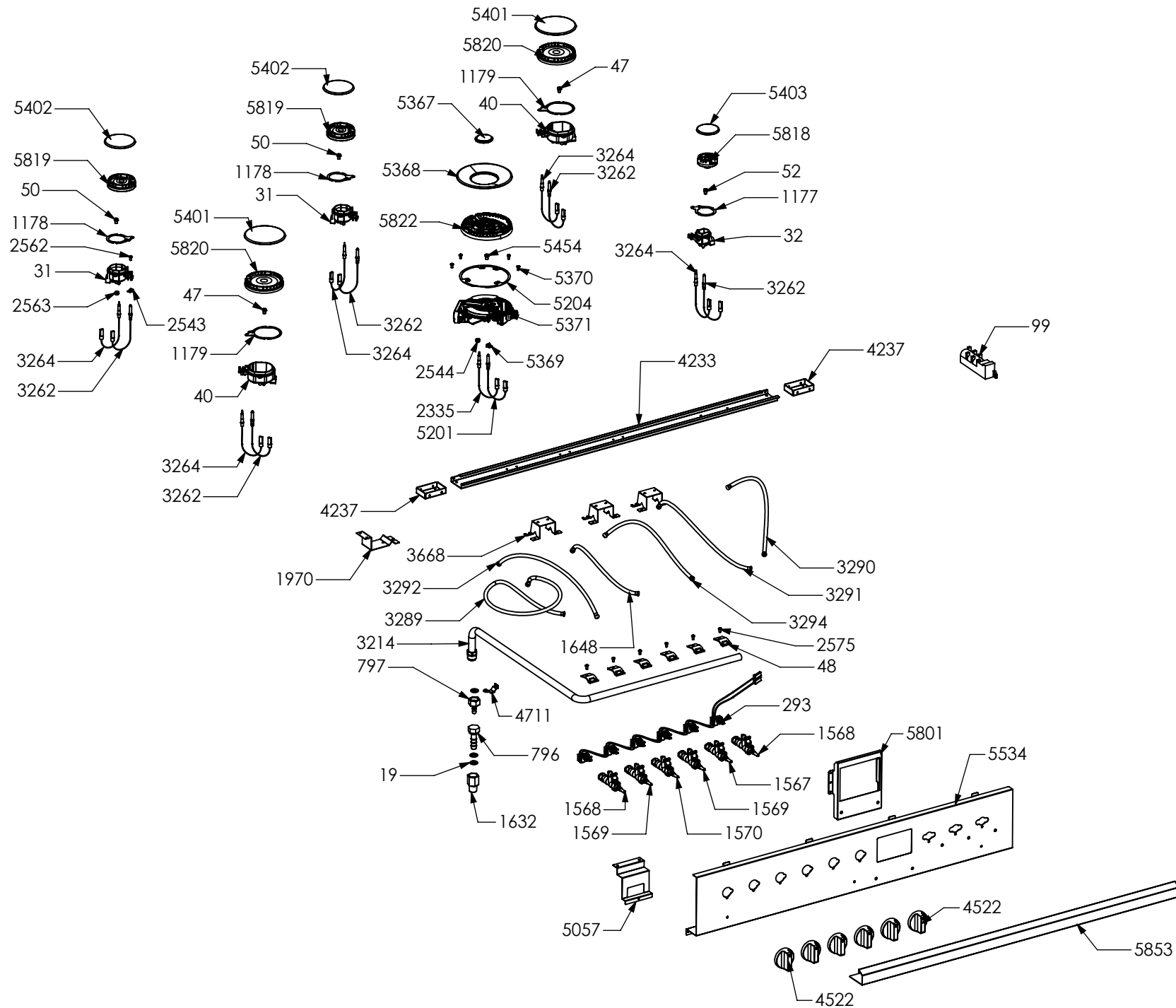
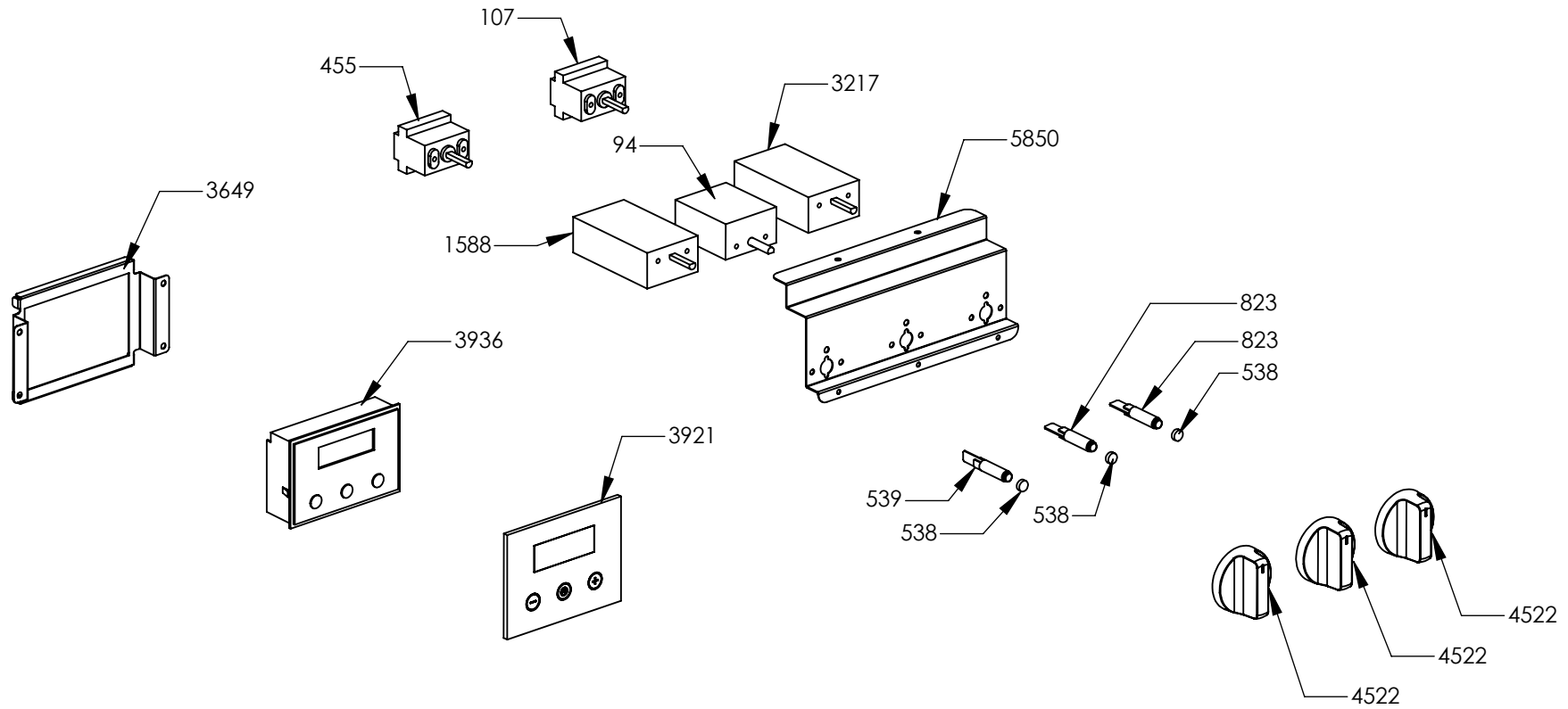


N° Object	Code	Description	Qty
731	ZS0565	Cast-iron grid for wok	1
1014	ZS2026	Thermostat TY60 N.O. fixing B	1
1441	ZS2665	Support for fan timelag device	1
1901	ZS2700	Cast-iron grid 2 burners Prt / Drb	3
1957	ZS3495	Washer 4.3 x 10 x 3	4
1996	ZS3171	Blocking plate hob-side Party	2
5760	ZP0075	Complete cooktop 6 burners for cooker 100 double oven	1

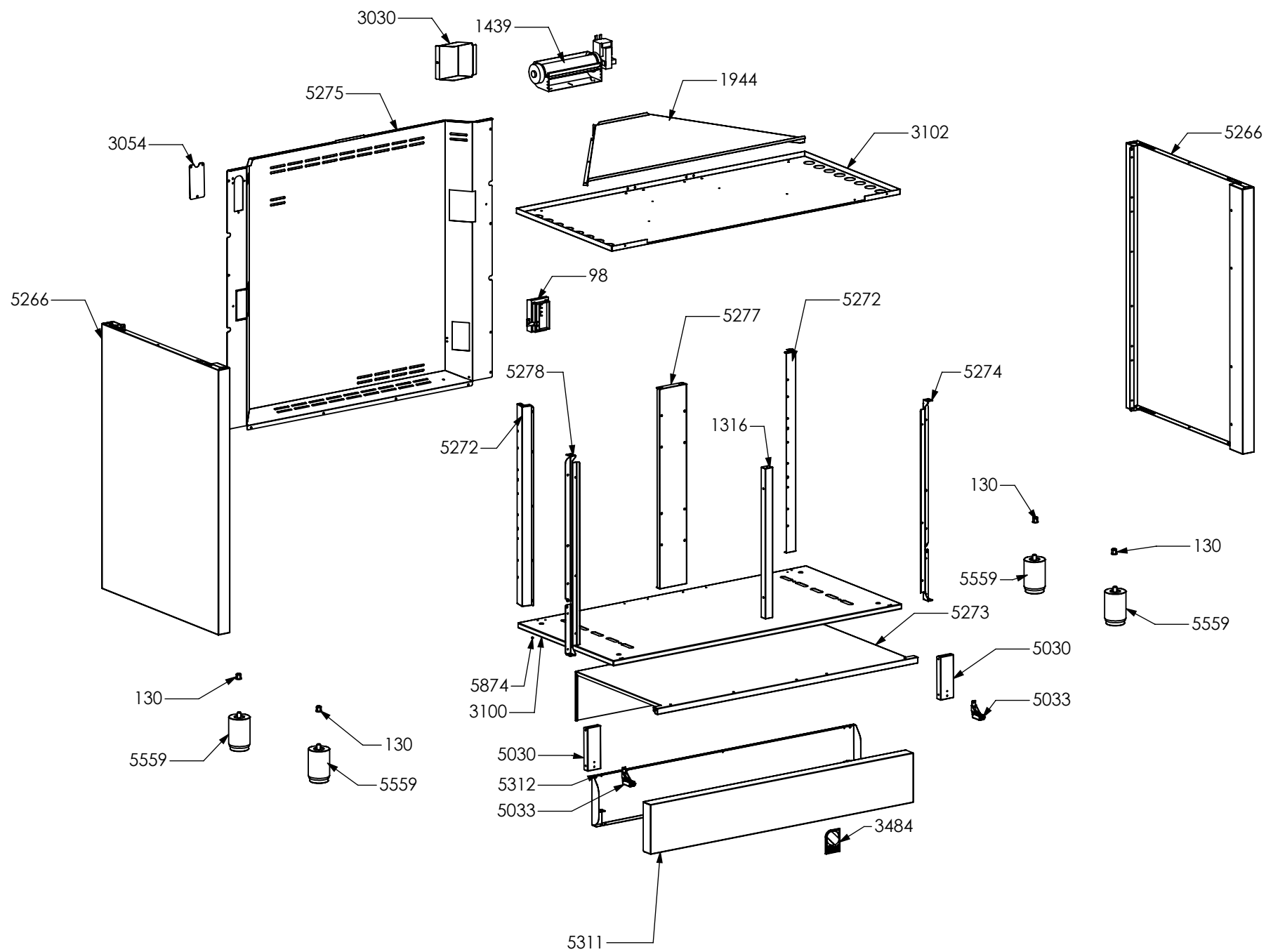


N° Object	Code	Description	Qty	N° Object	Code	Description	Qty
19	400689	Gasket gas inlet	3	3214	ZS3116	Ramp 6 burners FE cooker 100 DC Prt/Drb	1
31	414121	Semi-rapid burner body G20 0,97	2	3262	ZS5270	Burner spark plug Cast	5
32	414123	Auxiliary burner body G20 0,72	1	3264	ZS5272	Thermocouple Cast L=770	5
40	414212	Rapid burner body G20 1,15	2	3289	ZS5349	Pipe ramp for front left rapid burner cooker 100 DC Prt/Drb	1
47	421312	Rapid burner nozzle G30/31 29/37 mbar 0,85	2	3290	ZS5350	Pipe ramp for rear right rapid burner cooker 100 DC Prt/Drb	1
48	421323	Gas taps fixing bridle M60	6	3291	ZS5351	Pipe ramp for front right semi-rapid burner cooker 100 DC Prt/Drb	1
50	423948	Semi-rapid burner nozzle G30/31 0,65	2	3292	ZS5352	Pipe ramp for rear left semi-rapid burner cooker 100 DC Prt/Drb	1
52	423951	Auxiliary burner nozzle G30/30 0,50	1	3294	ZS5354	Pipe ramp for rear centre s-rap burner cooker 100 DC Prt/Drb	1
99	481918	Ignition system 6 flames	1	3668	ZS5778	Ramp fixing support 90/100 Prt / Drb	3
293	ZS0578	Micro catenary for 6 burners	1	4233	ZS6611	Support bar taps ramp cooker 100	1
796	410610	Pipe holder (G20)IT	1	4237	ZS6695	Clamp for support bar taps ramp	2
797	410645	Pipe holder (G30)	1	4522	ZS7089	Knob gas burners ATG	6
1177	ZS2217	Gasket for auxiliary burner	1	4711	ZS6772	Clamp support for main ramp	7
1178	ZS2218	Gasket for semi-rapid burner	2	5057	ZS7833	Clamp support for control panel cooker Party	1
1179	ZS2219	Gasket for rapid burner	2	5201	ZS8191	Wok burner spark plug sbf DCC M+G INT	1
1567	ZS2923	Valved tap for auxiliary burner (bypass 0,27)	1	5204	ZS8194	Gasket for wok burner	1
1568	ZS2924	Valved tap for rapid/fish-kettle burner	2	5367	ZS8632	Plate central Wok burner	1
1569	ZS2925	Valved tap for semi-rapid burner	2	5368	ZS8633	Plate Wok burner external	1
1570	ZS2926	Valved tap for triple-ring burner	1	5369	ZS8634	Spring fixing spark plug for Wok	1
1632	ZS3021	Adapter female-male 1/2 BSP 04	1	5370	ZS8635	Screw M4 wok burner	4
1648	ZS3069	Pipe ramp for front central semi-rapid burner for cooker 100 05	1	5371	ZS8637	Wok burner body G20/20 1,32	1
1970	ZS3656	Rear ramp fixing support cooker 90 Party	1	5401	ZS8684	Rapid spreader cap HE2	2
2335	ZS4181	Thermocouple SBF L=750 TC	1	5402	ZS8685	Semi-rapid spreader cap HE2	2
2543	601229	Spring fixing spark plug for triple ring P-4	1	5403	ZS8686	Auxiliary spreader cap HE2	1
2544	ZS4186	Fixing nut for thermocouple burner 4.5	1	5454	ZS8831	Mega Wok burner nozzle G30/30 0.94	1
2562	506037	Screw M3x8 TC s.steel	10	5534	GP0055	Assembly control panel front 6 burners electric oven ENF 100 DC S.Steel serygr.	1
2563	ZS0907	Fixing nut for themocouple	5	5801	ZS8317	Display support	1
2575	505241	Screw M4	6	5818	ZS8625	Auxiliary burner flame spreader HE2 ALU	1

N° Object	Code	Description	Qty
5819	ZS8627	Semi-rapid burner flame spreader HE2 ALU	2
5820	ZS8629	Rapid burner flame spreader HE2 ALU	2
5822	ZS8639	Wok burner flame spreader ALU	1
5853	ZS8919	Frontal bar profile cooker 100	1



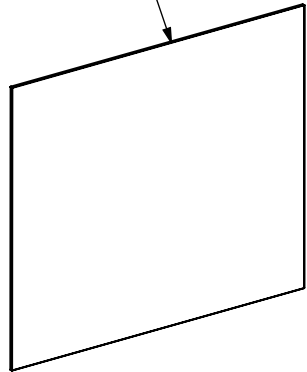
N° Object	Code	Description	Qty
94	481814	Commutator multif. for 90 built-in oven(no pizza)	1
107	482120	Thermostat cooker 192	1
455	ZS1075	Oven thermostat	1
538	ZS1204	Led transparent	3
539	ZS1205	Fluorescent green warning light	1
823	ZS1755	Fluorescent orange warning light	2
1588	ZS2889	Commutator oven functions 90 EGO	1
3217	ZS4568	Commutator oven functions 30 EGO	1
3649	ZS5713	Electrical display support	1
3921	ZS6051	Glass lcd 3 button no holes	1
3936	ZS6334	Timer (blue led) 3 TT SIEBE Touch meat probe	1
4522	ZS7089	Knob gas burners ATG	3
5850	ZS8915	Commutator support 3 positions	1



N° Object	Code	Description	Qty
98	481913	Terminal board for oven 32 PA 233	1
1316	ZS2474	Front central muffle support cooker 100/120 double oven	1
1439	ZS2663	Cooling fan L=180 Plaset (AU)	1
1944	ZS2719	Air conveyor for cooktop 090/100 Prb/Drb	1
3030	ZS3312	Blocking plate hob-side Prt/Drb	2
3054	ZS5128	Ramp hole closing plate	1
3102	ZS2749	Muffle fan guard cooker 100 double oven Prt / Drb	1
3484	ZS5647	"Steel - Stile in cucina" plate	1
5030	ZS7491	Hinge support 100 DC Prt/Drb	2
5033	ZS7657	Door hinge for drawer door	2
5266	ZS8337	Side external right/left lower ADG S.STEEL	2
5272	ZS8346	Rear support for muffle left/right side cooker 100 double oven	2
5273	ZS8347	Upper guard for drawer 100	1
5274	ZS8348	Front support for muffle Right side 100 double oven cooker	1
5275	ZS8349	Rear guard for cooker 100 double oven Prt / Drb	1
5277	ZS8361	Rear central support for muffle cooker 100 double oven Prt/Drb	1
5278	ZS8362	Front support for muffle Left side 100 double oven cooker	1
5311	ZS8459	Drawer door cooker 100 ADG s.steel	1
5312	ZS8460	Counterdoor drawer cooker 100	1
5559	ZA0059	Adjustable feet H100/145 inox ADG	4
5874	GR2746	Assembly complete lower reinforcement 100	1
130	601156	Tapping screw M10 galvanized	4
3100	ZS2746	Lower guard for cooker 100 double oven Party	1

4387

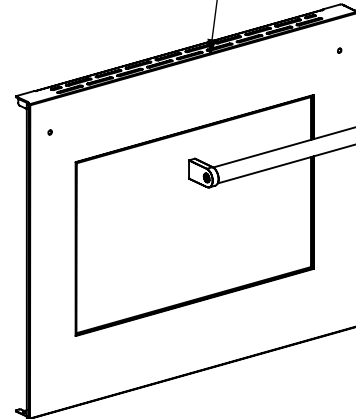
1334



2937



1383



1277



2943



4473



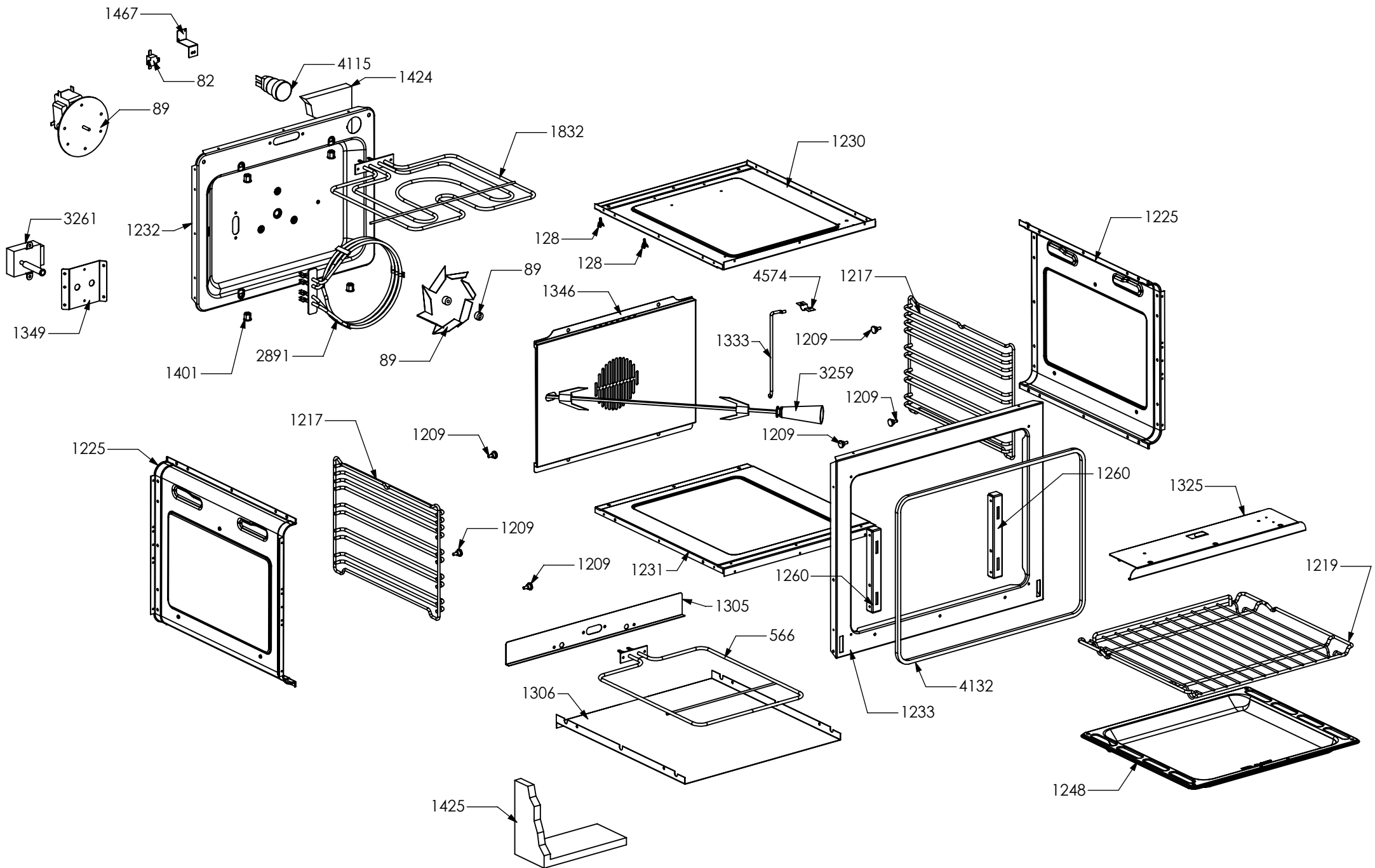
1277

2938

2944



N° Object	Code	Description	Qty
4387	GR7024	Assembly glued oven door 60/100 double oven	1
2937	GR4313	Assembly door 30/60/90 right bar profile 07	1
2938	GR4314	Assembly door 30/60/90 left bar profile 07	1
1334	ZS2308	Inner glass oven door 60	1
1277	ZS2414	Door hinge for oven 60 G	2
1383	ZS2550	Glued external oven door 60/100 double oven	1
2943	ZS4746	Right support for inner glass	1
2944	ZS4747	Left support for inner glass	1
4473	ZS6995	Door oven handle for oven 60 PLG	1



N° Object	Code	Description	Qty	N° Object	Code	Description	Qty
82	481403	Thermoswitch 16 Ampere	1	4115	ZS6631	Complete Lamp-holder for oven (max 25 W)	1
89	481727	Circular tangential oven 90 fan (AU) with fan and nut	1	4132	ZS6541	Gasket oven 60 H=8.9 mat HT	1
128	601152	Spring fixing feeler for built-in oven	2	4574	ZS6005	Fixing support for turnspit motor oven 60/90	1
566	ZS7590	Lower heating element for oven 60 (1200W/230V)	1				
1209	414559	Lateral frame support for built-in oven	6				
1217	ZS2283	Oven lateral frame 30/60/90	2				
1219	ZS2286	Chromed wire grid for oven 60	1				
1225	ZS2312	Side muffle oven 30/60/90 enamelled 04	2				
1230	ZS2322	Enamelled muffle ceiling oven 60	1				
1231	ZS2324	Enamelled muffle bottom for oven 60	1				
1232	GR2326	Assembly rear muffle oven 60/100 enamelled 04	1				
1401	ZS2585	Tapping screw M5 aluminium	4				
1233	ZS2328	Enamelled muffle front side oven 60	1				
1248	ZS2364	Enamelled drip tray for oven 60	1				
1260	ZS2395	Hinge support 06	2				
1305	ZS2456	Lower heating elem.support oven 60 double oven 04	1				
1306	ZS2459	Lower heating element tray oven 60 04	1				
1325	ZS2496	Grill heating element support for muffle oven 60 enamelled 04	1				
1333	ZS2289	Support for grillrod 60/90	1				
1346	ZS2484	Fan cover for oven 60 with turnspit hole BLACK	1				
1349	ZS2499	Fixing support for turnspit motor oven 60/90	1				
1424	ZS2629	White glass wool for rear side 60 oven 04	1				
1425	ZS2632	White glass wool for 60 oven 04	1				
1467	ZS2604	Support for safety thermostat 04	1				
1832	482094	Grill heating element for oven 60 (1900+850W)	1				
2891	482589	Circular heating element 230V-2100W	1				
3259	ZS5174	Turnspit for oven 60 (4 forks + handle) - 04	1				
3261	ZS5236	Turnspit motor reducer 50/60 Hz	1				

4385

1224

2937

1276

1381

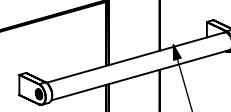
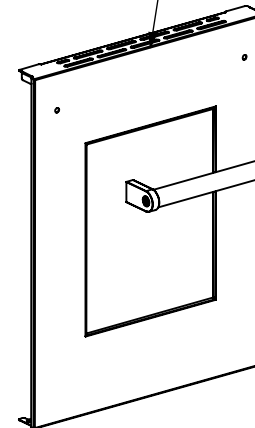
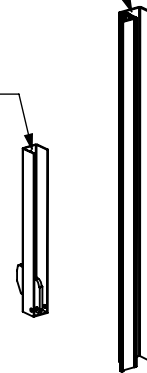
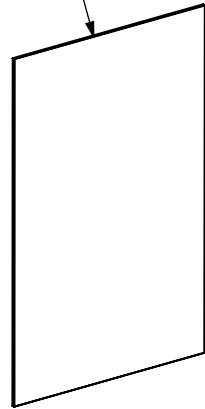
1276

2938

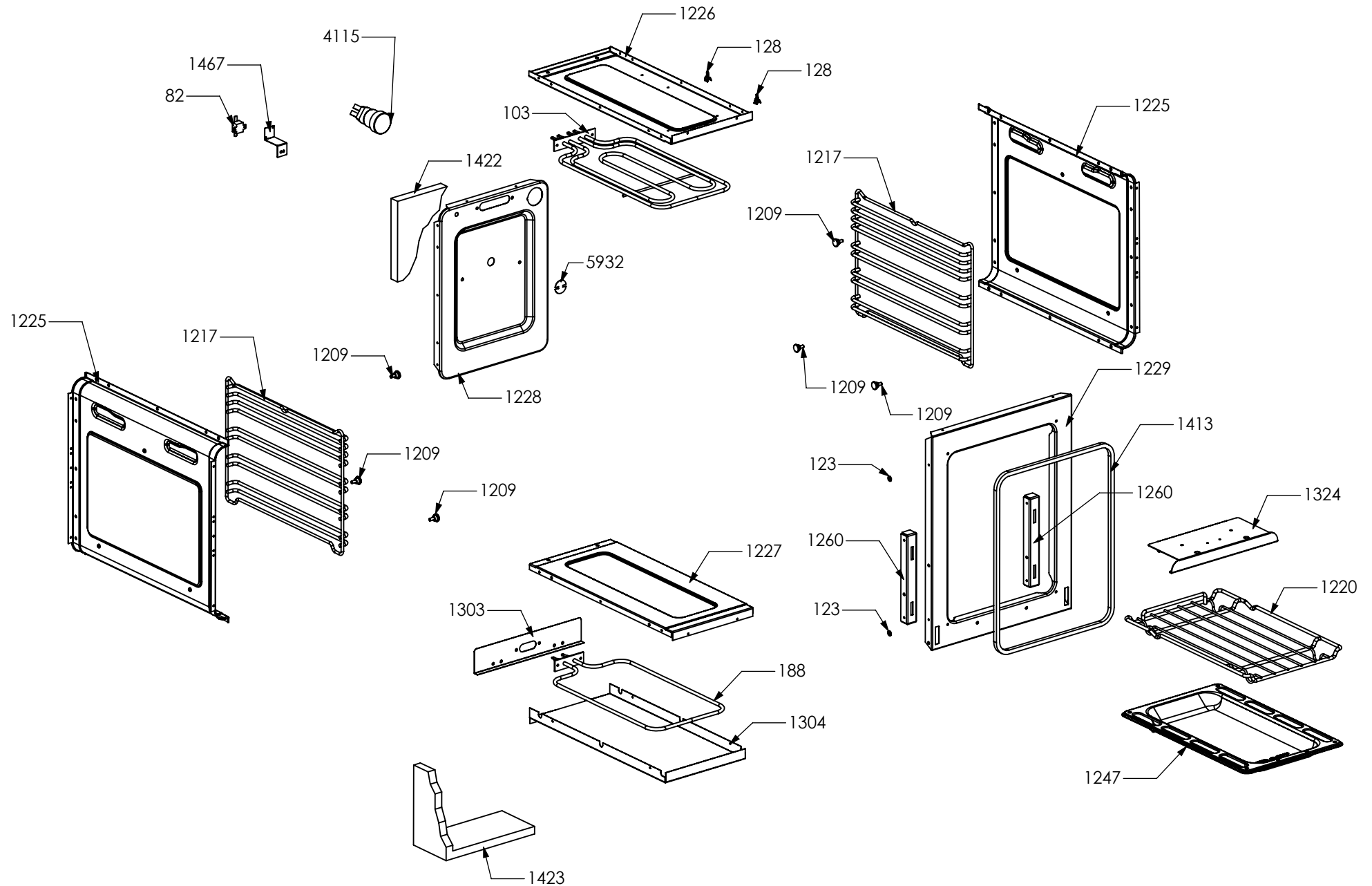
2944

2943

4472



N° Object	Code	Description	Qty
4385	GR7022	Assembly glued oven door 30	1
2937	GR4313	Assembly door 30/60/90 right bar profile 07	1
2938	GR4314	Assembly door 30/60/90 left bar profile 07	1
1224	ZS2311	Inner glass oven door 30	1
1276	ZS2413	Door hinge for oven 30	2
1381	ZS2546	Glued external oven door 30 KL	1
2943	ZS4746	Right support for inner glass	1
2944	ZS4747	Left support for inner glass	1
4472	ZS6994	Door oven handle for oven 30 PLG	1



N° Object	Code	Description	Qty
82	481403	Thermoswitch 16 Ampere	1
103	482072	Upper heating element cooker Ratio	1
123	541011	Spacer washer for built-in oven	2
128	601152	Spring fixing feeler for built-in oven	2
188	ZS7653	Lower heating element for oven 30	1
1209	414559	Lateral frame support for built-in oven	6
1217	ZS2283	Oven lateral frame 30/60/90	2
1220	ZS2287	Chromed wire grid for oven 30	1
1225	ZS2312	Side muffle oven 30/60/90 enamelled 04	2
1226	ZS2314	Enamelled muffle ceiling oven 30	1
1227	ZS2316	Enamelled muffle bottom for oven 30	1
1228	ZS2318	Muffle rear side oven 30 enamelled 04	1
1229	ZS2320	Enamelled muffle front side oven 30	1
1247	ZS2362	Enamelled drip tray for oven 30	1
1260	ZS2395	Hinge support 06	2
1303	ZS2454	Lower heating elem.support oven 30 04	1
1304	ZS2455	Lower heating element tray oven 30 04	1
1324	ZS2494	Grill heating element support for muffle oven 30 enamelled 04	1
1413	ZS2599	Gasket oven 30 04	1
1422	ZS2627	White glass wool for rear side 30 oven 04	1
1423	ZS2628	White glass wool for 30 oven 04	1
1467	ZS2604	Support for safety thermostat 04	1
4115	ZS6631	Compete Lamp-holder for oven (max 25 W)	1
5932	ZP0119	Turnspit hole cap	1

N° Object	Code	Description	Qty
132	ZS5148	Adhesive tape 16,5 m x 19h (3M)	80
725	601108	Anti-overturning device	0,3
1210	ZS5149	Adhesive tape 33 mt x 17h mm x th 0,6 mm (3M 4930)	200
1586	ZS2770	Additional wiring generic L=60 cm Fem Fem	2
3071	ZS5206	Wiring diagram for cooker S10FF-6	1
5793	ZS7811	Instruction booklet cooker Party MULTILANGUAGE	1