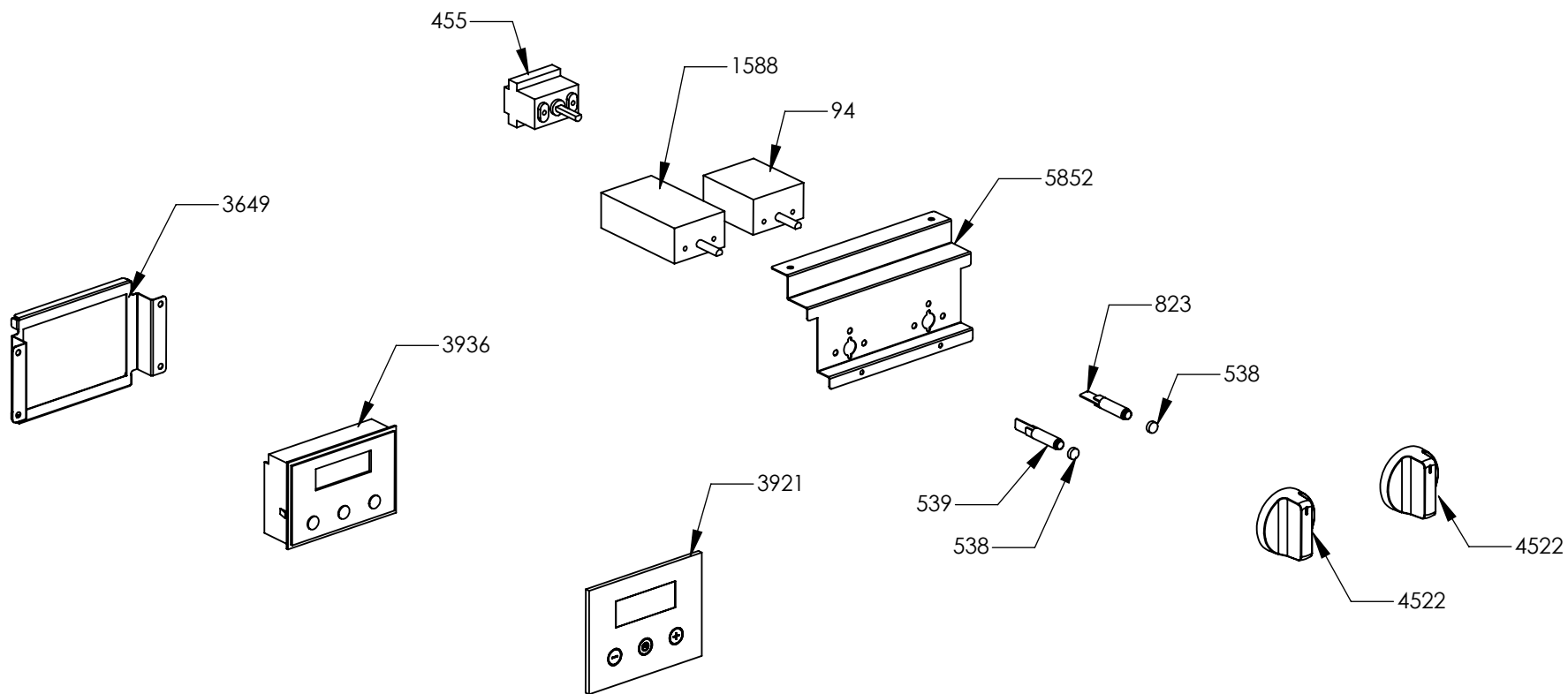
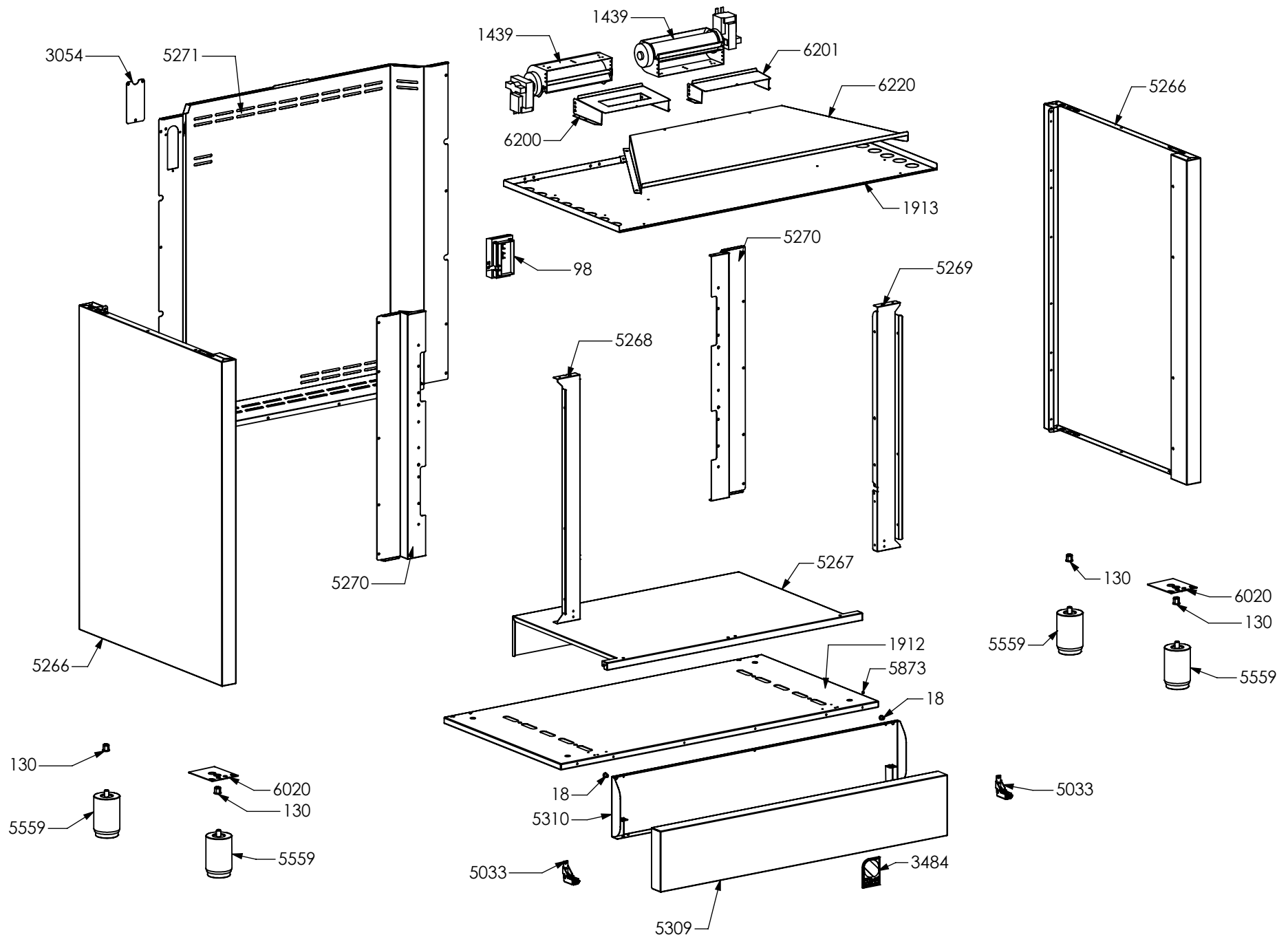


N° Object	Code	Description	Qty
129	601154	Timer	1
1014	ZS2026	Thermostat TY60 N.O. fixing B	2
1957	ZS3495	Washer 4.3 x 10 x 3	4
1996	ZS3171	Blocking plate hob-side Party	2
3717	ZS6026	Switch for induction encoder	5
4210	ZS5377	Energy regulator for induction 230 V EGO EU	5
4266	ZS6787	Encoders control board	1
4522	ZS7089	Knob gas burners ATG	6
5753	ZP0068	Thickness for profile	2
5783	ZS6817	Feet for electronic components EGO	3
5784	ZS6904	Cover for induction terminal board	1
5785	ZS6905	Bridge for induction terminal board	1
5849	ZS8914	Frontal bar profile cooker 90	1
5850	ZS8915	Commutator support 3 positions	2
6071	ZA0469	Induction 5 element OCTA EGO 75.08016.610	1
6099	GP0209	Assembly cooktop cooker 90 induction Prt/Drb	1
6069	ZA0467	Glass for 90 induction hob or cooker	1
6178	ZP0239	Clamp support for induction 90/100 Party lateral	2
6179	ZP0242	Front support for induction 5 elements 90 cm	1
6180	ZP0243	Rear support for induction 5 elements 90 cm	1
6290	ZP0238	Clamp for support bar induction	4
6313	GP0224	Assembly control panel 5FI zones induct electric oven ENF 90 S.Steel serygr.	1
5801	ZS8317	Display support	1
6358	ZP0500	Support for electronic control induction element	1



N° Object	Code	Description	Qty
94	481814	Commutator multif. for 90 built-in oven(no pizza)	1
455	ZS1075	Oven thermostat	1
538	ZS1204	Led transparent	2
539	ZS1205	Fluorescent green warning light	1
823	ZS1755	Fluorescent orange warning light	1
1588	ZS2889	Commutator oven functions 90 EGO	1
3649	ZS5713	Electrical display support	1
3921	ZS6051	Glass lcd 3 button no holes	1
3936	ZS6334	Timer (blue led) 3 TT SIEBE Touch meat probe	1
4522	ZS7089	Knob gas burners ATG	2
5852	ZS8917	Commutator support 2 positions	1



N° Object	Code	Description	Qty
18	400006	Protection door	2
98	481913	Terminal block for oven 32 PA 233	1
1439	ZS2663	Cooling fan L=180 Plaset (AU)	2
1913	ZS2718	Muffle fan guard cooker 90 cm Prt / Drb	1
3054	ZS5128	Ramp hole closing plate	1
3484	ZS5647	"Steel - Stile in cucina" plate	1
5033	ZS7657	Door hinge for drawer door	2
5266	ZS8337	Side external right/left lower ADG S.STEEL	2
5267	ZS8339	Upper guard for drawer 90	1
5268	ZS8340	Front support for muffle left side cooker 90ADG	1
5269	ZS8341	Front support for muffle right side cooker 90	1
5270	ZS8342	Rear support for muffle left/right side cooker 90	2
5271	ZS8343	Rear guard for cooker 90 ADG	1
5309	ZS8457	Drawer door cooker 90 ADG s.steel	1
5310	ZS8458	Counterdoor drawer cooker 90 ADG	1
5559	ZA0059	Adjustable feet H100/145 inox ADG	4
5873	GR2717	Assembly complete lower reinforcement 90	1
130	601156	Tapping screw M10 galvanized	6
1912	ZS2717	Lower guard for cooker 090 Party	1
6020	ZP0309	Feet adapter	2
6200	ZP0349	Air conveyor for cooktop SX	1
6201	ZP0350	Air conveyor for cooktop DX	1
6220	ZP0435	Air conveyor for cooktop 90	1

N° Object	Code	Description	Qty	N° Object	Code	Description	Qty
21	401638	Gasket oven 90	1	4115	ZS6631	Complete Lamp-holder for oven (max 25 W)	2
82	481403	Thermoswitch 16 Ampere	1	4574	ZS6005	Fixing support for turnspit motor oven 60/90	1
84	481589	Grill heating element for oven 90	1	6272	ZA0488	Circular tangential oven 90 fan without fan and nut	1
128	601152	Spring fixing feeler for built-in oven	2	6273	ZA0489	Nut for circular tangential oven	1
720	451200	Chromed wire grid for oven 90 AU	1	6274	ZA0490	Fan for circular tangential oven	1
1209	414559	Lateral frame support for built-in oven	6				
1217	ZS2283	Oven lateral frame 30/60/90	2				
1225	ZS2312	Side muffle oven 30/60/90 enamelled 04 black	2				
1234	ZS2330	Enamelled muffle ceiling oven 90 black	1				
1235	ZS2332	Enamelled muffle bottom for oven 90	1				
1236	GR2334	Assembly rear muffle oven 90 enamelled 04 black	1				
1401	ZS2585	Tapping screw M5 aluminium	4				
1237	ZS2336	Enamelled muffle front side oven 90 black	1				
1249	ZS2366	Enamelled drip tray for oven 90 black	1				
1260	ZS2395	Hinge support 06	2				
1313	ZS2467	Grill heating element support for muffle oven 90 enamelled 04 black	1				
1314	ZS2468	Lower heating elem.support oven 90 04	1				
1315	ZS2469	Lower heating element tray oven 90 04	1				
1328	482325	Circular heating element 230V-2500W	1				
1333	ZS2289	Support for grillrod 60/90	1				
1347	ZS2486	Fan cover for oven 90 with turnspit hole 04 black	1				
1349	ZS2499	Fixing support for turnspit motor oven 60/90	1				
1420	ZS2625	White glass wool for rear side 90 oven	1				
1421	ZS2626	White glass wool for 90 oven 04	1				
1467	ZS2604	Support for safety thermostat 04	1				
1839	ZS3082	Lower heating element for oven 90 (1400 W)	1				
3260	ZS5175	Turnspit for oven 90 (4 forks + handle) - 04	1				
3261	ZS5236	Turnspit motor reducer 50/60 Hz	1				

4389

1221

4903

1384

5358

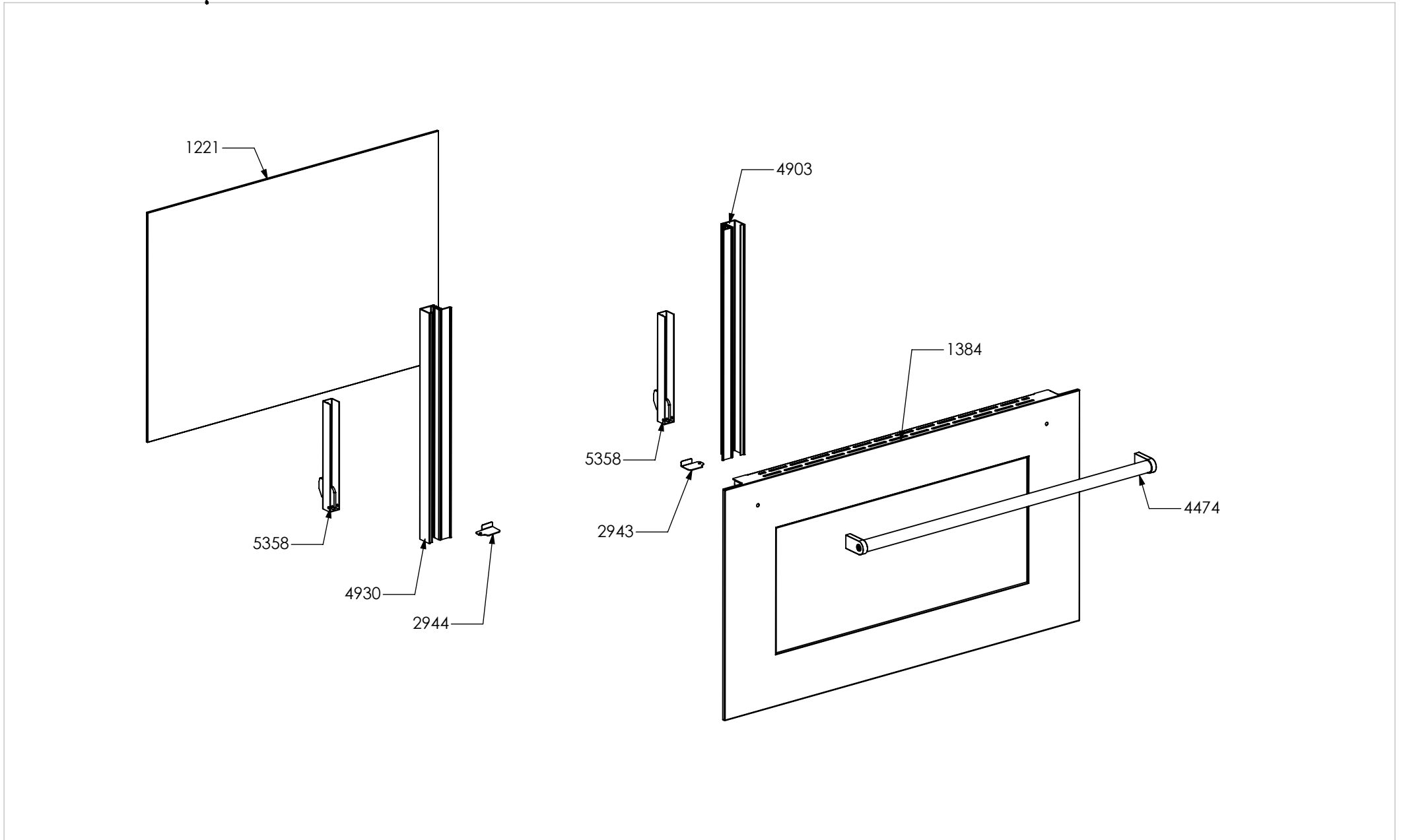
2943

4474

5358

4930

2944



N° Object	Code	Description	Qty
4389	GR7026	Assembly glued oven door 90	1
4903	GR7666	Assembly door 30/60/90 right bar profile 15	1
4930	GR8097	Assembly door 30/60/90 left bar profile 15	1
1221	ZS2307	Inner glass oven door 90	1
1384	ZS2552	Glued external oven door 90	1
2943	ZS4746	Right support for inner glass	1
2944	ZS4747	Left support for inner glass	1
4474	ZS6996	Door oven handle for oven 90 PLG	1
5358	ZS8596	Door hinge for oven 90	2

N° Object	Code	Description	Qty
131	BS0296	Adhesive tape 4959	600
132	ZS5148	Adhesive tape 16,5 m x 19h (3M)	40
725	601108	Anti-overturning device	0,3
1210	ZS5149	Adhesive tape 33 mt x 17h mm x th 0,6 mm (3M 4930)	200
1329	ZS5150	Adhesive tape 33 mt x 25h mm x Th 1.55 mm (3M)	10000
1586	ZS2770	Additional wiring generic L=75 cm Fem Fem	2
5793	ZS7811	Instruction booklet cooker Party MULTILANGUAGE	1
6118	ZA0637	Wiring diagram for cooker D9F-6I 2T	1