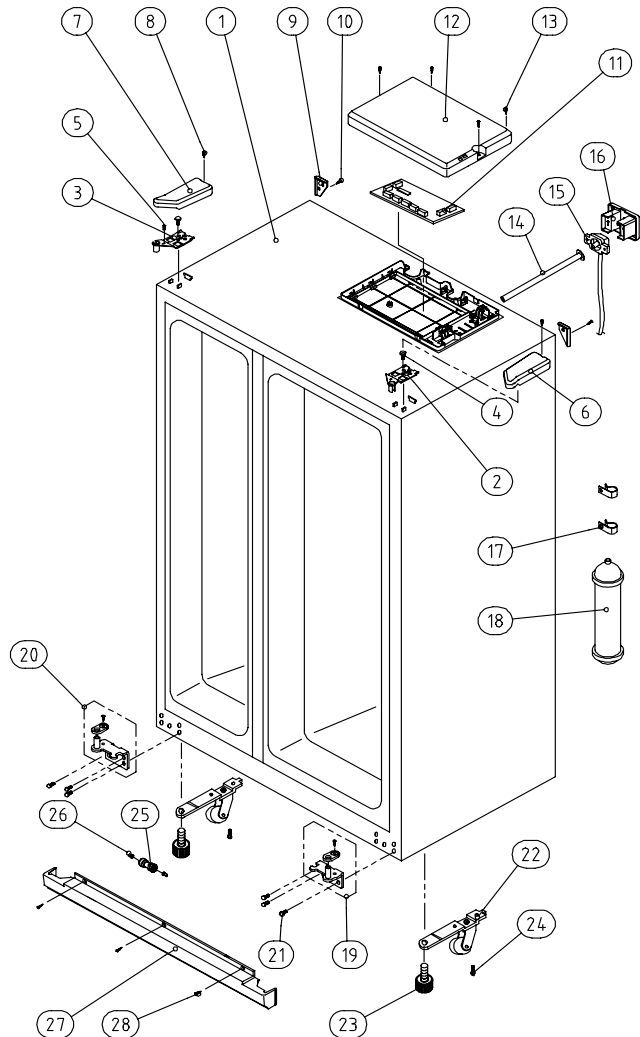


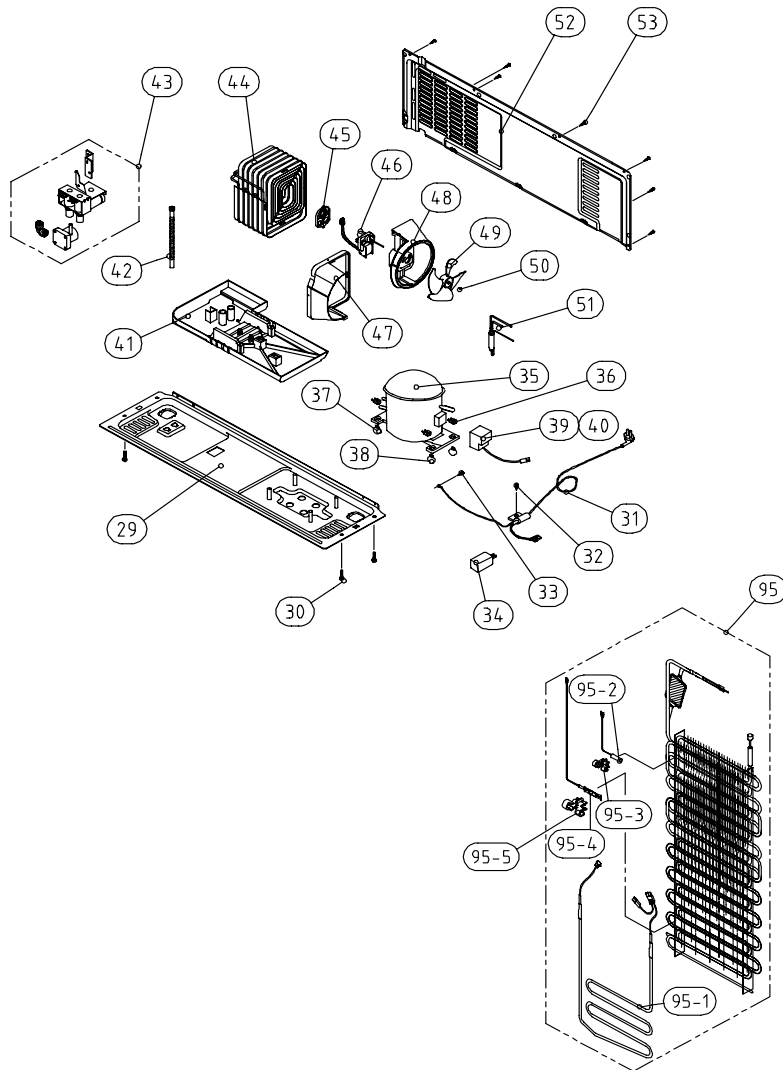
CS1919		Frigofero ascot AFR-9 SS-C Steel dispenser EU		
Rif explode	components	Description	UM	qty
18	400006	Protection door	NR	4
123	541011	Spacer washer for built-in oven	NR	6
1969	ZS3587	Handle for oven door 90 Ascot 90/120 chromed	NR	2
2927	ZS4298	Washer 5.3 x 15 x 1.2 s.steel	NR	4
1329	ZS5150	Adhesive tape 33 mt x 25h mm x Th 1.55 mm (3M)	NR	36
3273	ZS5301	Side panel DX fridge DW	NR	1
3274	ZS5302	Side panel SX fridge DW	NR	1
3275	ZS5303	Right door panel fridge DW	NR	1
3276	ZS5304	Left door panel fridge DW	NR	1
3277	ZS5307	Support for SX door panel fridge DW	NR	1
3278	ZS5308	Support for DX door panel fridge DW	NR	1
3279	ZS5309	Control panel front fridge inox	NR	1
3295	ZS5355	Counter door	NR	1
3296	ZS5356	Drawer upper guard for drawer fridge DW	NR	1
3297	ZS5357	Drawer lower part DW	NR	1
3301	ZS5365	Profile drawer fridge Ascot chromed	NR	1
3303	ZS5367	Complete plinth for fridge	NR	1
3833	ZS5306	Central plint for fridge	NR	1
3832	ZS5305	Lateral plint for fridge	NR	2
3341	ZS5428	Instruction booklet Fridge DW - UK	NR	1
3347	ZS5439	Upper rear support for drawer Fridge DW	NR	1
3391	ZS5499	Instruction booklet Fridge DW - IT	NR	1
3484	ZS5647	aluminium badge "Steel - Stile in cucina"	NR	1
3745	ZS5940	Instruction booklet Fridge DW - DE	NR	1
3829	ZS6163	Hinge for fridge drawer DW	NR	1



NO	PART-CODE	PART NAME	SPEC.	Q'ty				
				201B	20DB	20EB	20FB	20GB
1		ASSY CAB URT		1	1	1	1	1
2	3012924400	HINGE *T *R AS	PO T3.0+PAINT	1	1	1	1	1
3	3012924300	HINGE *T *L AS	PO T3.0+PAINT	1	1	1	1	1
4	3016042300	SPECIAL *T HI BOLT	6X13 SWCH18A	2	2	2	2	2
5	7051401065	SCREW MACHINE	PAN 4X10 SW BSN1	1	1	1	1	1
6	3011446200	COVER *T HI *R	PP	1	1	1	1	1
7	3011446100	COVER *T HI *L	PP	1	1	1	1	1
8	7112401211	SCREW TAPPING	T1 TRS 4X12 MFZN	2	2	2	2	2
9	3010968400	CAP CAB COVER	PP	2	2	2	2	2
10	7112401211	SCREW TAPPING	T1 TRS 4X12 MFZN	2	2	2	2	2
11	30143D6061	PCB MAIN AS	FRU-571I (R-134a)	1				
	30143D5072	PCB MAIN AS	FRU-541F (R-134a)	-	1	1	1	1
12	3011446000	COVER MAIN PCB BOX	PP(V-235)	1	1	1	1	1
13	7112401211	SCREW TAPPING	T1 TRS 4X12 MFZN	4	4	4	4	4
14	3013224800	HOSE ICE MAKER TUBE AS	FRU-541D		1	1	1	1
15	3012530200	GUIDE CAB W/TUBE A AS	FRU-541D		1	1	1	1
16	3011444100	COVER GUIDE CAB W/T A	HIPS	-	1	1	1	1
17	3011202000	CLAMP WATER TUBE A	PA-66, 5N		2	2	2	2
18	3019974800	S/PAER FILTER WATER AS	FR-S660CW		1	1	1	1
19	3012924000	HINGE *U *R AS	P/O T5.0 + PAINT	1	1	1	1	1
20	3012923900	HINGE *U *L AS	P/O T5.0 + PAINT	1	1	1	1	1
21	3016001240	SPECIAL BOLT *T	6X22 SWCH22A(YL)	6	6	6	6	6
22	3010657200	BRACKET ADJ FOOT	SPCC T3.0	2	2	2	2	2
23	3012105100	FOOT ADJ AS	PP	2	2	2	2	2
24	3016001240	SPECIAL BOLT *T	6X22 SWCH22A(YL)	2	2	2	2	2
25	3013064200	HOLDER TUBE A	ACETAL	1	1	1	1	1
26	3012019500	FIXTURE TUBE FIT B	PP	2	2	2	2	2
27	3011447200	COVER CAB BRKT	PP	1	1	1	1	1
28	7142401511	SCREW TAPPING	T2 TRS 4X16 MFZN	3	3	3	3	3

- **Some parts can be chaged for improving their performace without notice.**
- **Above parts number doesn't describe your own colour & printing. Please remind!**

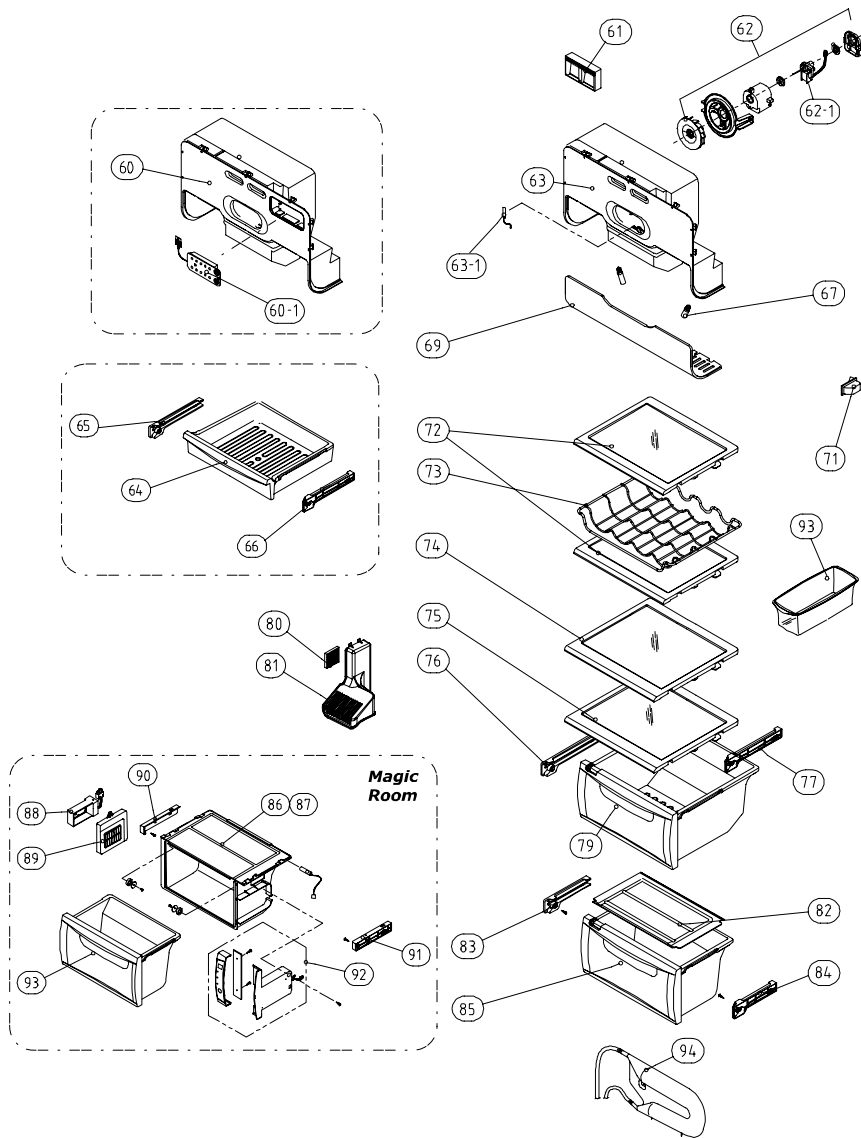
Date	A mendment Note



NO	PART-CODE	PART NAME	SPEC.	Q'ty				
				20IB	20DB	20EB	20FB	20GB
29	3010340400	BASE COMP AS	FRU-5711	1	1	1	1	1
30	3016003300	SPEICAL BOLT	T2 M6.5X20	4	4	4	4	4
31		CORD POWER AS		1	1	1	1	1
32	7112401211	SCREW TAPPING	T1 TRS 4X12 MFZN	1	1	1	1	1
33	7051401065	SCREW MACHINE	PAN 4X10 SW BSN1	1	1	1	1	1
34		CAPACITOR RUN	Model dependent	1	1	1	1	1
35		COMP	Model dependent	1	1	1	1	1
36	3016002500	SPECIAL WASHER	SK-5, T0.8	4	4	4	4	4
37	3010101600	RUBBER ABSORBER COMP	NBR	2	2	2	2	2
38	3010101480	ABSORBER COMP AS	FRU-541D	2	2	2	2	2
39		SWITCH P RELAY AS	Model dependent	1	1	1	1	1
40		COVER RELAY	Model dependent	1	1	1	1	1
41	3011181300	CASE VAPORI AS	PP	1	1	1	1	1
42	3013201710	HOSE DRN B	PE FRB-5350NT	1	1	1	1	1
43	3015402800	VALVE WATER AS	110~127V 60Hz	-	1	1	1	1
	3015402300		220~240V 50,60Hz					
44	3014461510	PIPE WICON AS	TSW OD4.76XT0.7	1	1	1	1	1
45	3012021700	FIXTURE MOTR	PP	1	1	1	1	1
46	3015916100	MOTOR C FAN AS	DC-2213DWCA-3	1	1	1	1	1
47	3018500300	M/BELL B	PP	1	1	1	1	1
48	3018500200	M/BELL A	PP	1	1	1	1	1
49	3011834700	FAN	ABS OD3.17XD150	1	1	1	1	1
50	3011200500	CLAMP FAN	SUS 304	1	1	1	1	1
51	3016808100	DRYER AS	C1220T	1	1	1	1	1
52	3011497000	COVER MACH ROOM AS	SBHG T0.35	1	1	1	1	1
53	7112401211	SCREW TAPPING	T1 TRS 4X12 MFZN	7	7	7	7	7
95	3017053500	EVA AS	FRU-5711	1	1	1	1	1
95-1	3012818300	HEATER SHEATH AS	AC220V/ 192W	1	1	1	1	1
	3012818400		AC115V/ 192W					
95-2	3014806900	SENSOR D AS	PBN-43	1	1	1	1	1
95-3	3012023600	FIXTURE D SENS	PP	1	1	1	1	1
95-4	301720200	FUSE TEMP AS	AC250V 10A 77C	1	1	1	1	1
95-5	4017Z90590	FIXTURE FUSE TEMP	PP	1	1	1	1	1

- **Some parts can be chaged for improving their perfomance without notice.**
- **Above parts number doesn't describe your own colour & printing. Please remind!**

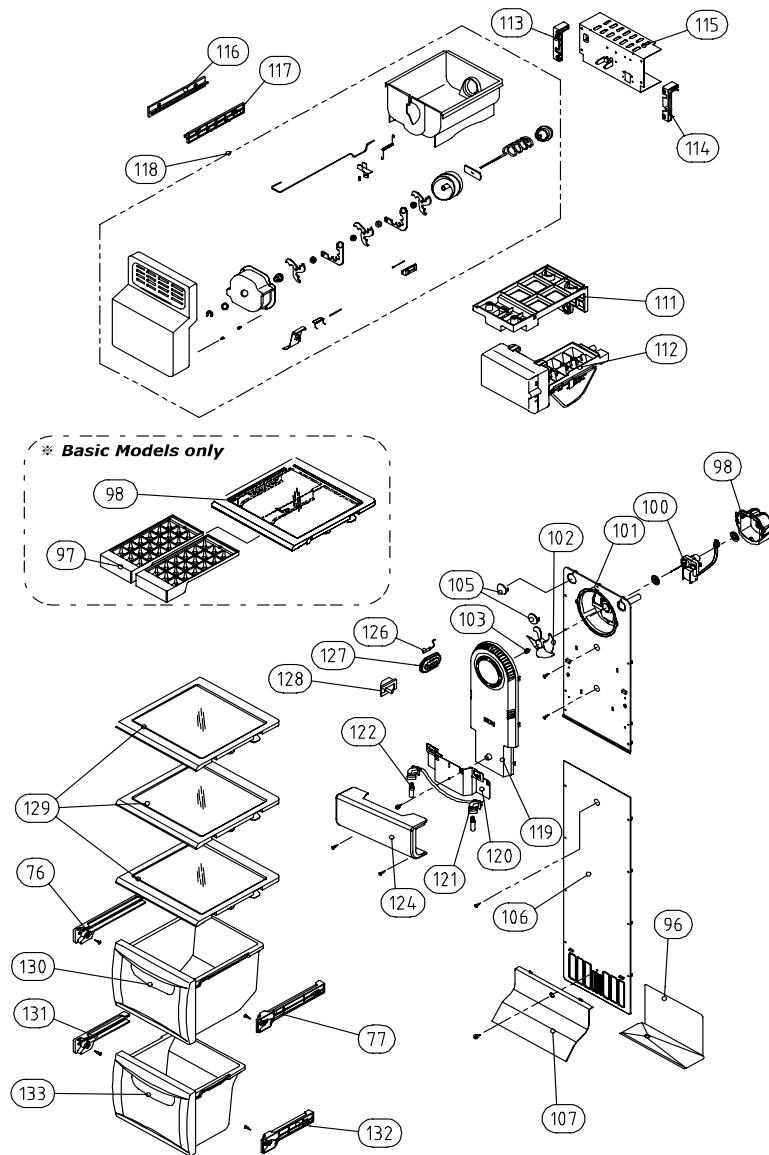
Date	A mendment Note



NO	PART-CODE	PART NAME	SPEC.	Q'ty				
				201B	20DB	20EB	20FB	20GB
60	3011492810	COVER DAMP AS	FRU-5711	1				
60-1	3014235200	PANEL CONTL *I AS		1				
61	3012214100	FRAME CHECK VALVE AS	FRU-5711	1	1	1	1	1
62	3012024200	FIXTURE MOTR AS		1	1	1	1	1
62-1	3015916000	MOTOR R FAN	D4612AAA20	1	1	1	1	1
63	3011495100	COVER DAMP AS	FRU-541D	-	1	1	1	1
63-1	3014807100	SENSOR R AS	PBN-43B	1	1	1	1	1
64	3012514500	GUIDE CASE A *L AS	ABS	1				
65	3011185740	CASE CHILD	GPPS(CRYSTAL)	1				
66	3012514600	GUDIE CASE A *R AS	ABS	1				
67	3013602500	LAMP F/R	AC 240V 25W(S)	2	2	2	2	2
	3013602800		AC 125V 25W					
69	3015510800	WINDOW R LAMP	MIPS	1	1	1	1	1
71	3018124000	SWITCH DR	SP201R-7DR (R-134a)	1	1	1	1	1
72	3017842810	SHELF R A AS	NUDE GLASS	2				
	3017842800		PRINTED GLASS					
73	3017844220	SHELF WINE	FRU-54,57 SUS304					Option
74	3017843300	SHELF R C AS	NUDE GLASS	1				
	3017843310		PRINTED GLASS					
75	3017842910	SHELF R B AS	NUDE GLASS	1				
	3017842900		PRINTED GLASS					
76	3012514500	GUIDE CASE A *L AS	ABS	1	1	1	1	1
77	3012514600	GUDIE CASE A *R AS	ABS	1	1	1	1	1
79	3011114630	CASE VEGETB B AS	NANO	1	1	1	1	1
80	3018701800	DEO ANTI AS	W40XT5XL40	1	1	1	1	1
81	3011445900	COVER RETURN DUCT	PP	1	1	1	1	1
82	3011446700	COVER VEGETB CASE B	GPPS	1	1		1	
83	3012529700	GUIDE CASE C *L AS	ABS	1	1		1	
84	3012529800	GUIDE CASE C *R AS	ABS	1	1		1	
85	3011114730	CASE VEGETB C AS	NANO	1	1		1	
86	3011446800	COVER CHANGE RM	GPPS				1	1
87	3010548200	BOX CHANGE RM	HIPS				1	1
88	3016767100	DAMPER AS	DU24-012				1	1
89	3011450901	COVER DUCT CH RM AS	PP+SEAL				1	1
90	3012529500	GUDIE CHANGE RM *L	ABS				1	1
91	3012529600	GUDIE CHANGE RM *R	ABS				1	1
92	3010551000	BOX CONTL CH RM AS					1	1
93	3011115040	CASE CHANGE RM AS	FRU-547E, CASE+FRAME				1	1
93	3011170050	CASE EGG AS	CASE+TRAY+VINYL	1	1	1	1	1
94	3018201000	TANK WATER AS	FRU-541D	-	1	1	1	1

- Some parts can be chaged for improving their performace without notice.

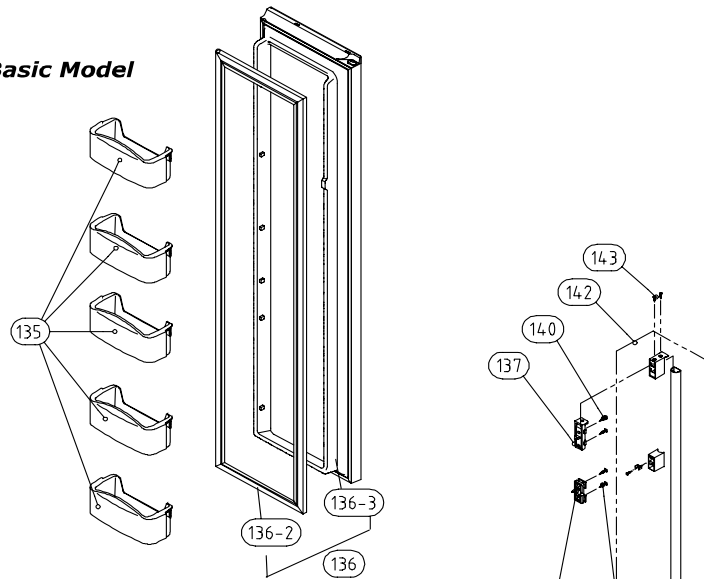
- Above parts number doesn't describe your own colour & printing. Please remind!



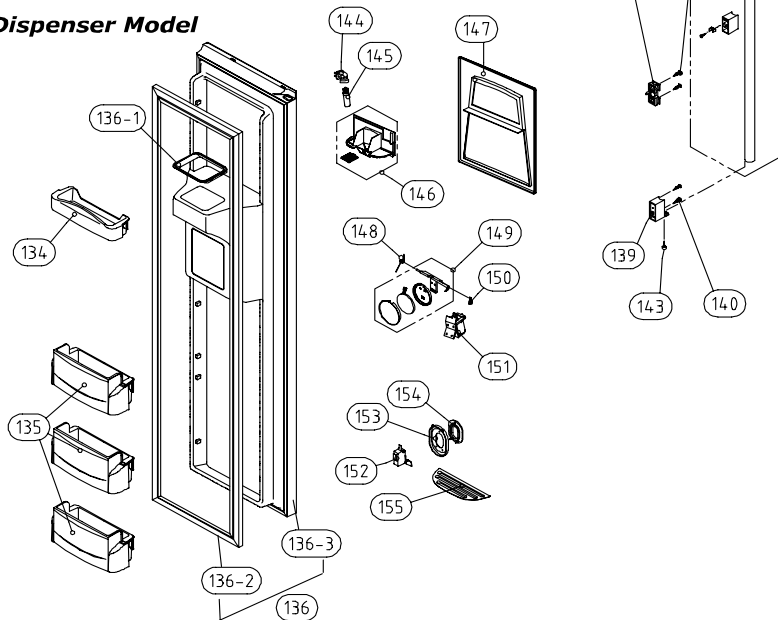
NO	PART-CODE	PART NAME	SPEC.	Q'ty				
				201B	20DB	20EB	20FB	20GB
76	3012514500	GUIDE CASE A *L AS	ABS	1	1	1	1	1
77	3012514600	GUIDE CASE A *R AS	ABS	1	1	1	1	1
96	3012529000	GUIDE DRN	GA	1	1	1	1	1
97	3017842700	SHELF F ICE AS	NUDE GLASS	1				
98	3011186300	CASE ICE	PP	1				
100	3015915900	MOTOR F FAN	D4612AAA21	1	1	1	1	1
101	3018921300	LOUVER F A	ABS	1	1	1	1	1
102	3011834500	FAN	ABS OD3.17XD130	1	1	1	1	1
103	3011200510	CLAMP FAN	SUS 304	1	1	1	1	1
105	3010968600	CAP F LOUVER B	HIPS	2	2	2	2	2
106	3018921500	LOUVER F B AS	HIPS	1	1	1	1	1
107	3011443200	COVER F RETURN	HIPS	1	1	1	1	1
111	3012205600	FRAME ICE MAKER	HIPS		1	1	1	1
112	3000025910	CASE I/MAKER AS	FRU-541D		1	1	1	1
113	3012517800	GUIDE G/MOTR BRKT *L	ABS		1	1	1	1
114	3012517900	GUIDE G/MOTR BRKT *R	ABS		1	1	1	1
115	3010656500	BRACKET GEARED MOTR AS	120V/60Hz		1	1	1	1
	3010658110		220-240/50Hz					
116	3012520510	GUIDE ICE CRUSHER *L	ABS		1	1	1	1
117	3012517710	GUIDE ICE CRUSHER *R	ABS		1	1	1	1
118	3011115202	CASE I/CRUSHER AS	FRU-541D		1	1	1	1
119	3001401701	COVER F FAN AS	FRU-571I	1				
	3001401711	COVER F FAN AS	FRU-541D	-	1	1	1	1
120	3014531900	PLATE F LAMP	SGCC T0.8	1	1	1	1	1
121	3017906600	SOCKET F LAMP AS	FRU-571I	1	1	1	1	1
122	3013602500	LAMP F/R	AC 240V 25W(S)		2	2	2	2
	3013602800		AC 125V 25W					
124	3015510700	WINDOW F LAMP	MIPS	1	1	1	1	1
126	3014807000	SENSOR F AS	PT-38	1	1	1	1	1
127	3011442600	COVER F SENS	ABS	1	1	1	1	1
128	3018124010	SWITCH DR	SP201R-7DL (R-134a)	1	1	1	1	1
129	3017842610	SHELF F AS	NUDE GLASS	3				
	3017842600	SHELF F AS	PRINTED GLASS	-	3	3	3	3
130	3011114800	CASE F A AS	NANO	1	1	1	1	1
131	3012529700	GUIDE CASE C *L AS	ABS	1	1	1	1	1
132	3012529800	GUIDE CASE C *R AS	ABS	1	1	1	1	1
133	3011114900	CASE F B AS	NANO	1	1	1	1	1

- **Some parts can be changed for improving their performance without notice.**
- **Above parts number doesn't describe your own colour & printing. Please remind!**

※ **Basic Model**



※ **Dispenser Model**

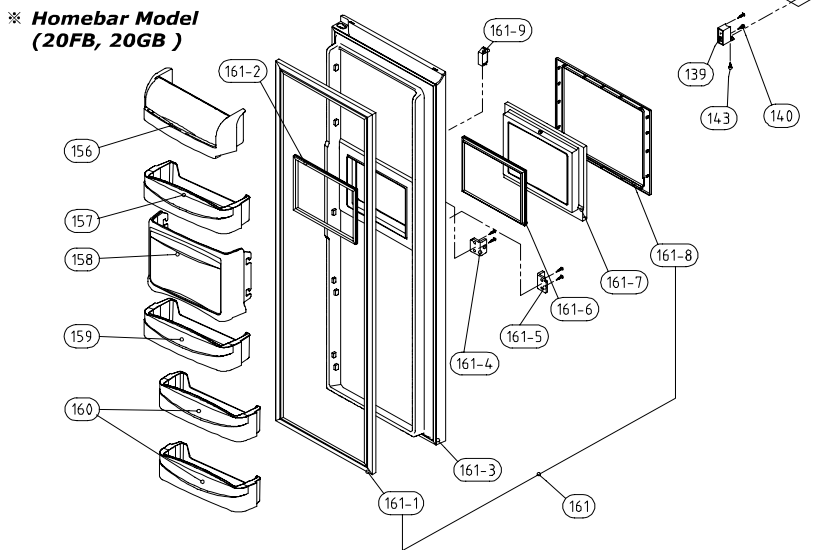
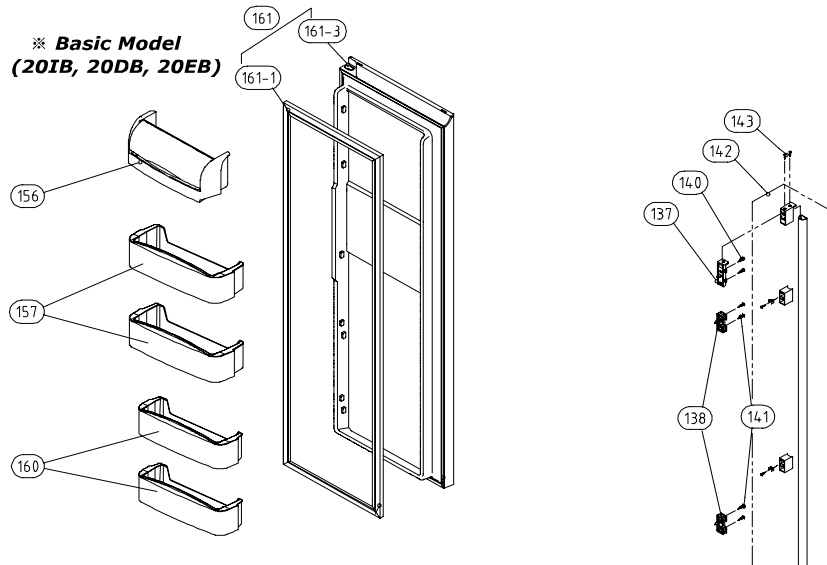


NO	PART-CODE	PART NAME	SPEC.	Q'ty				
				201B	20DB	20EB	20FB	20GB
134	3019026700	POCKET F *T	HIPS	1	1	1	1	1
135	3019027401	POCKET F AS	FRU-541D	-	3	3	3	3
	3019026600	POCKET F	FRU-571I	5	-	-	-	-
136	3000067600	ASSY F DR	FRU-547E, SUS	-	1	1	1	1
	3000067610	ASSY F DR	FRU-577I, SUS	1	-	-	-	-
136-1	3010964600	CAP ICE PATH FRAME	HIPS	-	1	1	1	1
136-2	3012318800	GASKET F DR AS	PVC	1	1	1	1	1
136-3	3000057940	ASSY F DR URT	FRU-547F	-	1	1	1	1
	3000057930	ASSY F DR URT	FRU-577I	1	-	-	-	-
137	3012027200	FIXTURE HNDL SUPORT *T	HIPS	1	1	1	1	1
138	3012018700	FIXTURE HNDL SUPORT *M	HIPS	2	2	2	2	2
139	3015311500	SUPPORTER HNDL *U	ABS+SPRAY	1	1	1	1	1
140	7002401011	SCREW MACHINE	TRS 4X10 MFZN	4	4	4	4	4
141	3016040100	SPECIAL SCREW HNDL	M5X20	4	4	4	4	4
142	3012645300	HANDLE BAR AS	FRU-577/547	1	1	1	1	1
143	3016040200	SPECIAL SCREW FRAME	4X14, S18C	2	2	2	2	2
144	3017903702	SOCKET DISP LAMP AS	250V 1A 14BASE	-	1	1	1	1
145	3013600020	LAMP AS	240V/15W	-	1	1	1	1
	3013600050		110V/15W	-	1	1	1	1
146	3010544000	BOX DISPNS ICE SHUT AS	FRU-541D	-	1	1	1	1
147	3011494700	COVER DISPNS BOX AS	FRU-541D	-	1	1	1	1
148	3015102200	SPRING ICE D/LEVER	SUS	-	1	1	1	1
149	3011495300	COVER ICE FLAP AS	FRU-541D	-	1	1	1	1
150	3012019700	FIXTURE ICE SHUT LVR	SUS	-	1	1	1	1
151	3015404100	VALVE SOL DISP	110~115V/60Hz	-	1	1	1	1
	3015403200	VALVE SOL DISP	230V/50Hz	-	1	1	1	1
152	3018125800	SWITCH MICRO	VP333A-2D	-	1	1	1	1
153	3012213200	FRAME DISPNS BUTTON	ABS	-	1	1	1	1
154	3016304600	BUTTON DISPNS	SILICON	-	1	1	1	1
155	3012406900	GRILL DISPENSER	ABS	-	1	1	1	1

- Some parts can be changed for improving their performance without notice.

- Above parts number doesn't describe your own colour & printing. Please remind!

Date	Amendment Note



NO	PART-CODE	PART NAME	SPEC.	Q'ty				
				201B	20DB	20EB	20FB	20GB
137	3012027200	FIXTURE HNDL SUPORT *T	HIPS	1	1	1	1	1
138	3012018700	FIXTURE HNDL SUPORT *M	HIPS	2	2	2	2	2
139	3015311500	SUPPORTER HNDL *U	ABS+SPRAY	1	1	1	1	1
140	7002401011	SCREW MACHINE	TRS 4X10 MFZN	4	4	4	4	4
141	3016040100	SPECIAL SCREW HNDL	M5X20	4	4	4	4	4
142	3012645300	HANDLE BAR AS	FRU-577/547	1	1	1	1	1
143	3016040200	SPECIAL SCREW FRAME	4X14, S18C	2	2	2	2	2
156	3019027500	POCKET DAIRY AS	FRU-571I	1	1	1	1	1
157	3019027200	POCKET R *M AS	FRU-541D	-	2	2	1	1
	3019026800	POCKET R	FRU-571I	2				
158	3011187000	CASE H/BAR AS	FRU-541F				1	1
159	3019027700	POCKET R H/BAR AS	FRU-541F				1	1
160	3019027300	POCKET R *S AS	FRU-541D	-	2	2	2	2
	3019026900	POCKET R *S	FRU-571I	2				
161	3000067700	ASSY R DR	FRU-547F, SUS				1	1
	3000067710	ASSY R DR	FRU-571I, SUS	1	1	1		
161-1	3012318900	GASKET R DR AS	PVC	1	1	1	1	1
161-2	3012319300	GASKET H/BAR B AS	PVC				1	1
161-3	3000058050	ASSY R DR URT	FRU-547F				1	1
	3000058060	ASSY R DR URT	FRU-577I	1	1	1		
161-4	3015204500	STOPPER H/BAR DR *R	PO T4.0				1	1
161-5	3015204400	STOPPER H/BAR DR *L	PO T4.0				1	1
161-6	3012319400	GASKET H/BAR A AS	PVC				1	1
161-7	3011765000	DOOR H/BAR URT AS	FRU-541F				1	1
161-8	3011497200	COVER FRAME H/BAR	ABS				1	1
161-9	3018125600	SWITCH H/BAR DR AS	SP101B-2D1(T)				1	1

- **Some parts can be chaged for improving their perfomance without notice.**
- **Above parts number doesn't describe your own colour & printing. Please remind!**







Date	A mendment Note

Reference

1. Electric Device

Compressor		Capacitor Run		Switch P Relay AS		Remark
Specification	Part Code	Specification	Part Code	Specification	Part Code	
HPL30YG-5	395S130R50	400VAC/ 5 μ F	3016401920	308NHB, S330	3018129810	220~240V/50Hz
MK183Q-L2U	3956183D50	350VAC/ 5 μ F	3016401170	265RHB, S330	3018129600	220~240V/50Hz
MK183C-L2U	3956183D10	250VAC/ 12 μ F	3016405000	445PHB, 4R7M	3018129610	110` 115V/60Hz
MK4A5Q-R1U	3956145250	350VAC/ 5 μ F	3016401170	265RHB, S330	3018129600	220~240V/50Hz(R-600a)

2. Power Cord

Shape	Description	Part Code	Shape	Description	Part Code
	CP-2PIN	3011304100		KP-550 (China)	3011301070
	CP-2PIN(Ferrite)	3011346701		KP-550 (Australia)	3011301080
	KP-30	3011348300		MP5004 (SINGAPORE)	3011302870
	KP-211				
	SA16A (South Africa)	3011302170			
	BS-1363 (U.K)	3011347300			