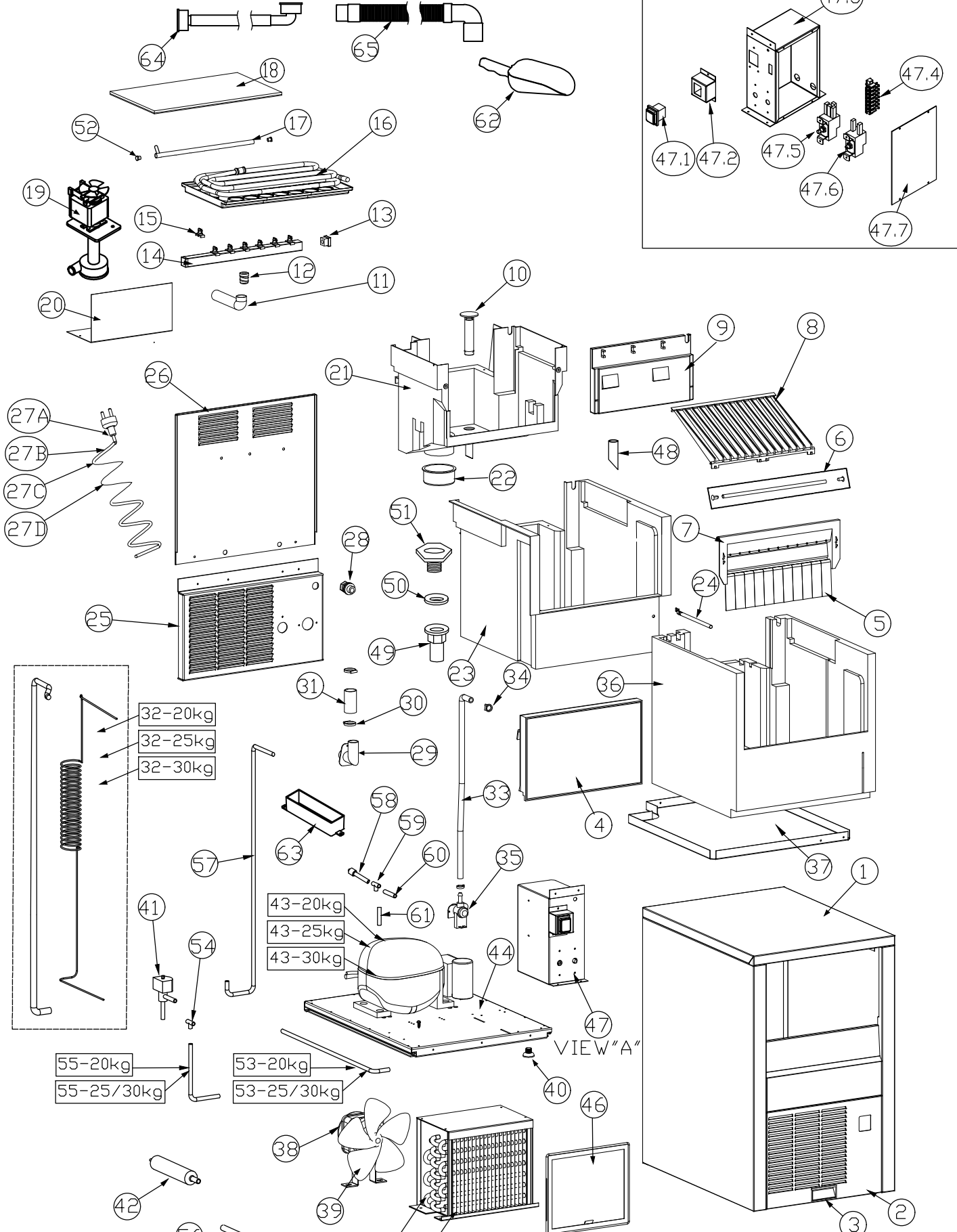


MACHINE WATER INLET PIPE 1,5M

MACHINE WATER DRAIN PIPE 2M

VIEW "A"



- 32-20kg
- 32-25kg
- 32-30kg

- 43-20kg
- 43-25kg
- 43-30kg

- 55-20kg
- 55-25/30kg

- 53-20kg
- 53-25/30kg

- 45-20kg
- 45-25/30kg

DATE:2020/05/22	VERSION:A1	UNIFY RANGE + N.62/63/64/65	DESIGN BY: Alberto
DATE:2017/11/22	VERSION:A1	NEW XQ RANGE/UPDATE PUMP	DESIGN BY: Alberto
DATE:2017/1/10	VERSION:A0	DESCRIPTION	DESIGN BY:
	SCALE	MODEL	Q. TY
	1:1	ICM/QX Range	REMARKS:
MATERIAL:ST1/ST2	ICM/QX ICE MAKER Ser. EXPLODED VIEW		
DESIGN BY:Camilla	CATEGORY	TYPE	GROUP
APPROVED BY:Alberto	EV	5BA0	A2
DATE:2017/1/10			PART N°
			3100